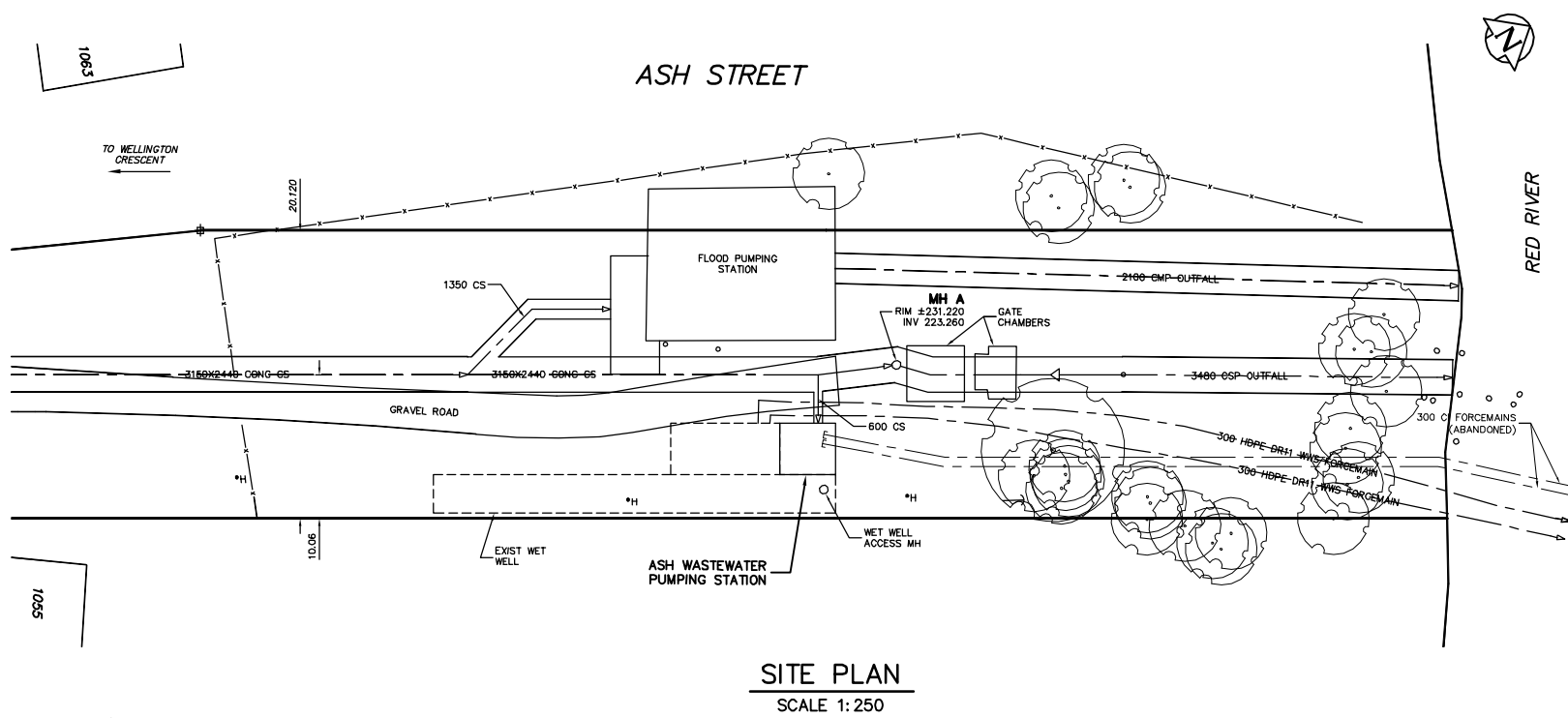


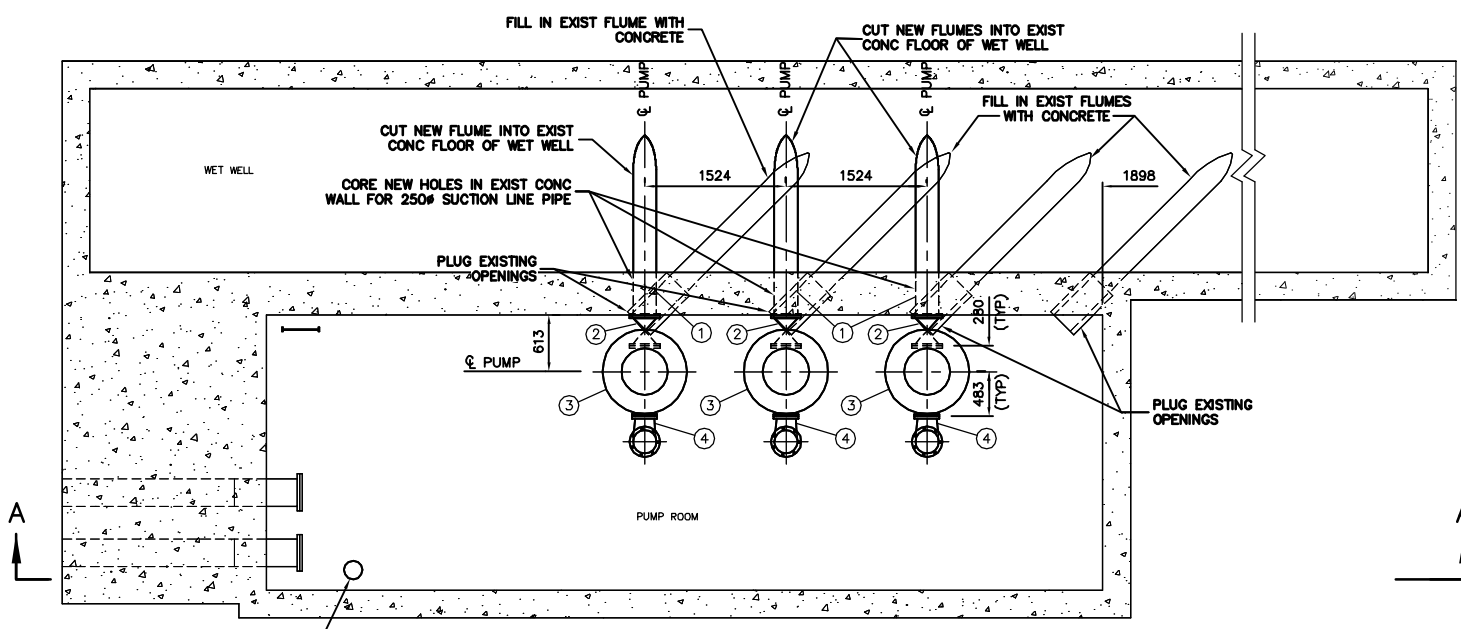
**MATERIALS LIST**

ITEM	DESCRIPTION	ENDS	LENGTH	QUANTITY	NOTES
1	250# PIPE	FL X PE	-	3	
2	250# GATE VALVE	FL	-	3	
3	FLOWSERVE MODEL 8MF13B PUMP	FL	-	3 *	SUPPLIED BY CITY
4	250 X 200 CAST IRON REDUCING 90° BEND	FL	-	3	
5	250# PIPE	FL	-	3	
6	250# CHECK VALVE WITH RUBBER FLAP	FL	-	3	REUSE 2 EXISTING CHECK VALVES INSTALLED IN STATION
7	250 "UNIFLANGE" OR APPROVED EQUAL REMOVABLE FLANGE	-	-	3	
8	250# PIPE	FL X PE	-	3	
9	250# CAST IRON 90° BEND	FL	-	3	
10	250# GATE VALVE	FL	-	3	
11	PUMP MOTOR	-	-	3 *	SUPPLIED BY CITY
12	250# PIPE	FL	-	3	
13	250# CAST IRON 90° BEND	FL	-	1	
14	250# PIPE	FL	-	1	
15	250 X 250 X 300 CAST IRON TEE	FL	-	1	
16	300# PIPE	FL	-	1	
17	250 X 300 X 350 CAST IRON TEE	FL	-	1	
18	350# CAST IRON 90° BEND	FL	-	2	
19	350# PIPE	FL	-	1	
20	350# FLOW METER	FL	-	1	ROSEMOUNT OR ABB.
21	350# PIPE	FL	-	1	
22	350 X 350 X 350 CAST IRON TEE	FL	-	1	REUSE EXISTING TEE INSTALLED IN STATION
23	350# CAST IRON 90° BEND	FL	-	1	REUSE EXISTING BEND INSTALLED IN STATION
24	350 X 300 CAST IRON REDUCER	FL	-	2	REUSE EXISTING REDUCERS INSTALLED IN STATION

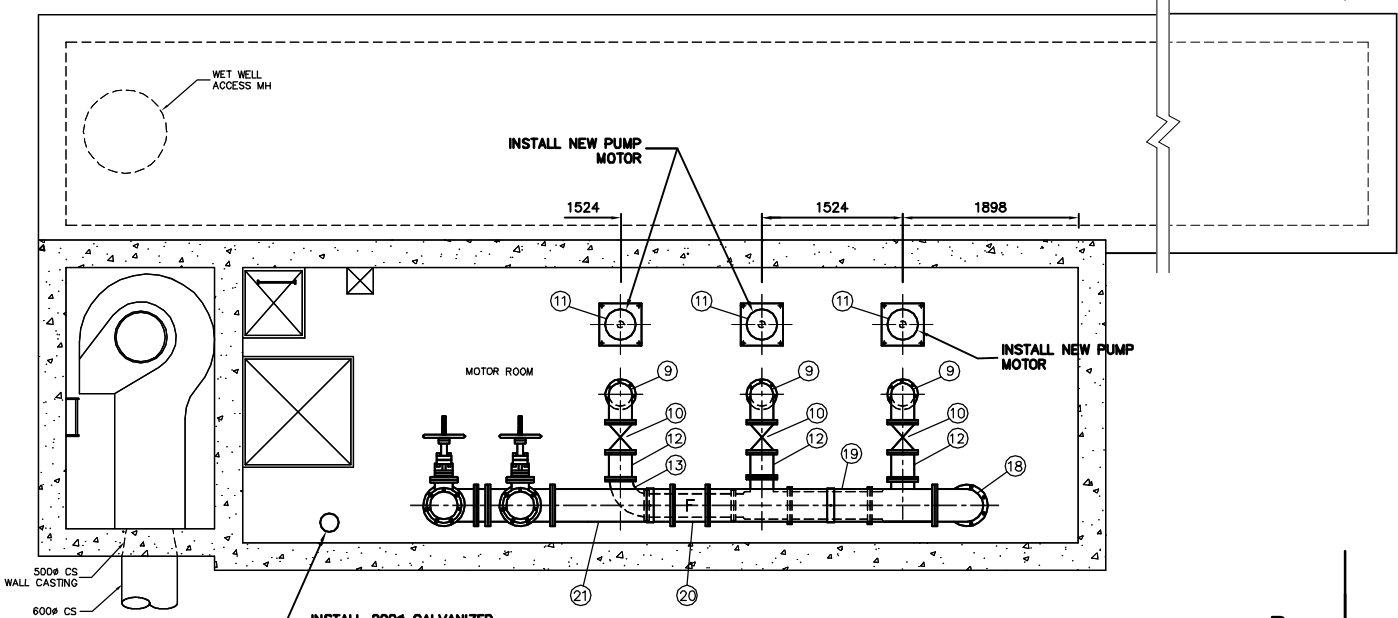
**NOTE:**  
 LENGTHS & DIMENSIONS SHOWN AS ± TO BE FIELD CONFIRMED BY CONTRACTOR  
 \* ITEMS SUPPLIED BY CITY  
 - CONTRACTOR TO SUPPLY AND INSTALL POWER CABLES AND CONDUIT FROM PUMP MOTORS TO ELECTRICAL CONTROL PANEL IN STATION



**SITE PLAN**  
SCALE 1:250



**PUMP ROOM**  
**PLAN VIEW - ELEV 224.000**  
SCALE 1:40



**MOTOR ROOM**  
**PLAN VIEW - ELEV 226.400**  
SCALE 1:40

**CONSTRUCTION NOTES:**

1. ALLOWABLE SHUTDOWN TIME: HRS (APPROXIMATE)
2. CRITICAL BASEMENT ELEVATION: 227.280 (LOW MH ELEVATION @ WATERLOO & WELLINGTON RIM 230.330 INV 225.650)
3. REMOVE EXISTING PUMPS, MOTORS, DRIVESHAFTS, PIPING, VALVES, FITTINGS, AND OTHER MATERIALS AS REQUIRED.
4. PROVIDE TEMPORARY PUMPING OF WASTEWATER DURING CONSTRUCTION.
5. INSTALL MECHANICAL & ELECTRICAL WORKS AS INDICATED AND ACCORDING TO MANUFACTURER'S SPECIFICATIONS.
6. EXCAVATIONS TO BE BACKFILLED WITH CLASS 3 OR CLASS 5 BACKFILL IN ACCORDANCE WITH CW 2030 AND SD-002.
7. FLANGE NUTS & BOLTS TO BE ASTM A307.
8. GASKETS TO BE FULL FACED, 3 THICK RED RUBBER.
9. CONTRACTOR TO CONFIRM ALL DEMENSIONS BEFORE ASSEMBLING PIPE.
10. ALL ANCHOR BOLTS TO BE ASTM A276 TYPE 316 SS.

200 WM	WATERMAIN	200 WM	SL, HYDRO	150 WM	WATERMAIN	150 WM
⊕	HYDRANT	⊕	MTS	+	HYDRANT	+
⊙	VALVE	⊙	TRAFFIC SIGNALS	⊙	VALVE	⊙
525 LDS	LAND DRAINAGE SEWER	525 LDS	GAS	50 GAS	300 LDS	LAND DRAINAGE SEWER
375 WWS	WASTEWATER SEWER	375 WWS	SURVEY BAR	250 WWS	250 WWS	WASTEWATER SEWER
○	MANHOLE	●	FENCE	⊙	○	PROFILE
□	CATCH BASIN	■	POLE - HYDRO, MTS	⊔	⊔	GROUND ABOVE PIPE
▽	CURB INLET	▽	CURB STOP	⊕	⊕	☞ DITCH (NORTH & WEST)
⊕	JUNCTIONS	⊕	GUY ANCHOR	⊕	⊕	☞ DITCH (SOUTH & EAST)
⊕	CULVERT	⊕	LIGHT STANDARD	⊕	⊕	☞ GUTTER (NORTH & WEST)
⊕	ANODE	⊕	TREE	⊕	⊕	☞ GUTTER (SOUTH & EAST)
EXISTING	LEGEND-PLAN	PROPOSED	EXISTING	LEGEND-PLAN	PROPOSED	EXISTING
---	LEGEND-PROFILE	---	---	---	---	---

LOCATION APPROVED  
UNDERGROUND STRUCTURES

SUPV. U/G STRUCTURES COMMITTEE DATE

NOTE:  
LOCATION OF UNDERGROUND STRUCTURES AS SHOWN ARE BASED ON THE BEST INFORMATION AVAILABLE BUT NO GUARANTEE IS GIVEN THAT ALL EXISTING UTILITIES ARE SHOWN OR THAT THE GIVEN LOCATIONS ARE EXACT. CONFIRMATION OF EXISTENCE AND EXACT LOCATION OF ALL SERVICES MUST BE OBTAINED FROM THE INDIVIDUAL UTILITIES BEFORE PROCEEDING WITH CONSTRUCTION.

B.M. ELEV. FIELD BOOK #

POSTED TO LBS

DESIGNED BY	DB	CHECKED BY	TW
DRAWN BY	CJH	APPROVED BY	KZ
HOR. SCALE	1:250	RELEASED FOR CONSTRUCTION	
VERTICAL	1:50		
NO.	REVISIONS	DATE	BY

DATE 2008 08 01

**CITY OF WINNIPEG**  
**WATER AND WASTE**  
**ENGINEERING DIVISION**

DESIGNED BY DB CHECKED BY TW  
 DRAWN BY CJH APPROVED BY KZ  
 HOR. SCALE 1:250  
 VERTICAL 1:50  
 DATE 2008 08 01

ENGINEER'S SEAL

ORIGINAL SIGNED BY K.R. ZUREK 08/08/01

BID OPPORTUNITY: 613-2008  
 FILENAME: 8670.dwg  
 PLOT DATE: 2008 08 01

**THE CITY OF WINNIPEG**  
WATER AND WASTE DEPARTMENT

2008 PUMPING STATION UPGRADES  
 INSTALLATION OF NEW PUMPING UNITS AND MODIFICATIONS TO THE  
**ASH WASTEWATER PUMPING STATION**  
 PLAN VIEWS

SHEET 16 OF 17  
 CITY DRAWING NUMBER  
**8670**

METRIC  
 WHOLE NUMBERS INDICATE MILLIMETRES  
 DECIMALIZED NUMBERS INDICATE METRES