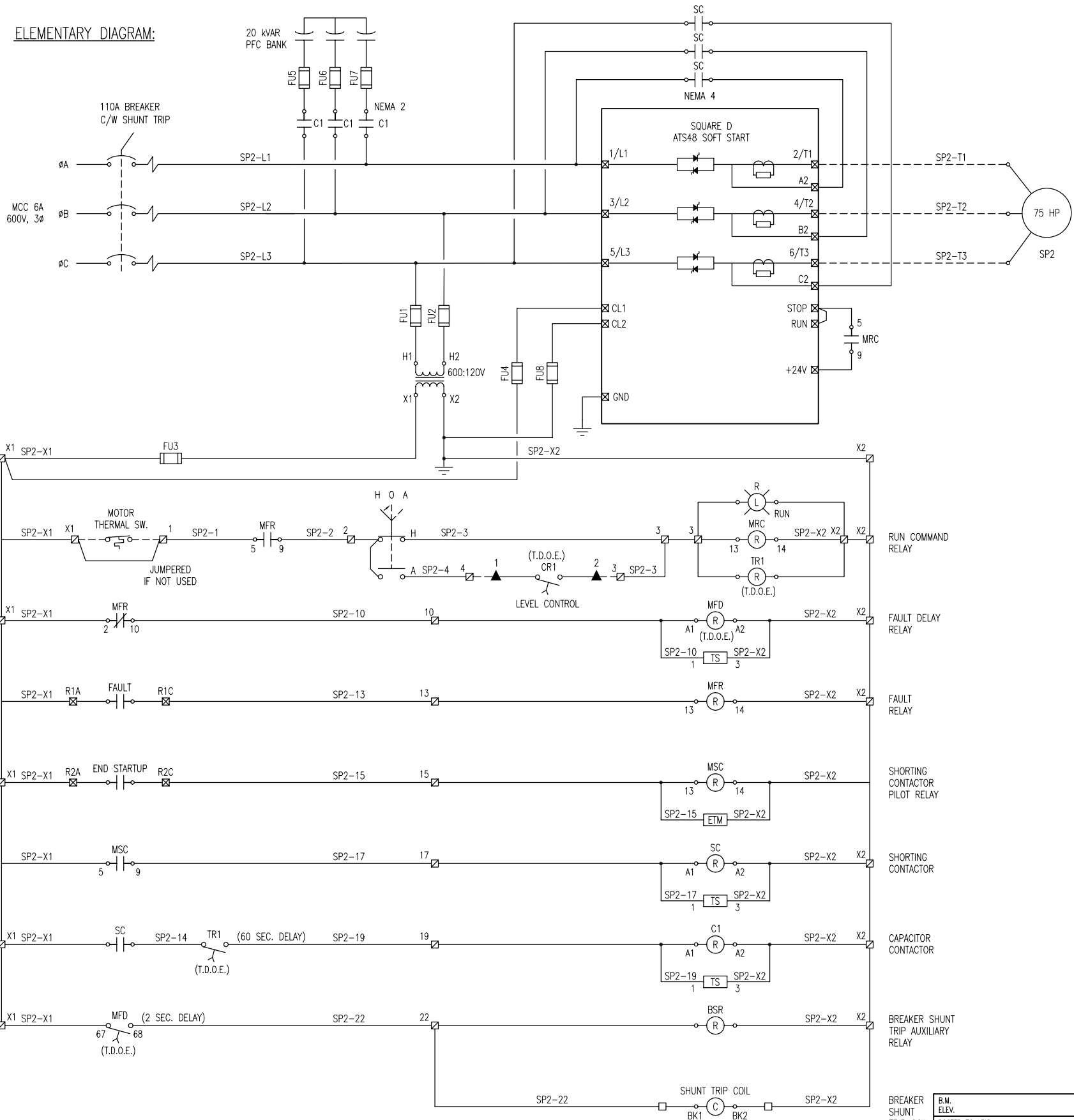


A1 SIZE - 594mm x 841mm

LAST SAVE: 2008/07/30 - 1:22pm

PATH: M:\113046\ENGS\WFILE\DD - General DWG\06801.dwg

ELEMENTARY DIAGRAM:

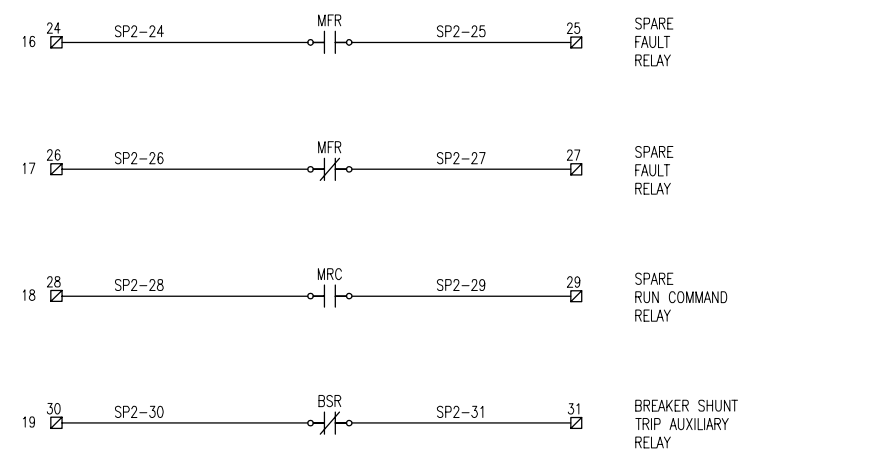


LEGEND:

- 1 MCC CONTROL ENCLOSURE
- 1 Soft Start Enclosure Terminal Block
- 3 Soft Start Device Terminal
- Breaker Terminal Blocks for Shunt Trip Coil
- Contactor
- Motor Thermal Switch
- Indicating Light, R = Red
- C1 Relay Coil
- TS Transient Voltage Suppressor
- ETM Elapsed Time Meter

NOTES:

- THIS DRAWING REFLECTS COMPONENTS WHICH ARE TYPICAL TO A SQUARE D ALTISTART 48 SOFT STARTER C/W POWER FACTOR CORRECTION AND HAND-OFF-AUTO CONTROL. IT IS THE RESPONSIBILITY OF ANY OTHER VENDOR TO ENSURE THAT THEIR PRODUCT WILL FUNCTION IN AN IDENTICAL MANNER. ACCEPTABLE EQUALS BY CUTLER-HAMMER, ALLEN BRADLEY, AND BENSRAW.
- CABLE TAGS AND TERMINAL BLOCKS TAGS SHALL BE PROVIDED BY THE EQUIPMENT SUPPLIER (SQUARE D OR OTHER VENDOR). CABLING FOR CONNECTIONS BETWEEN MCC SECTIONS (CABLE TO CAPACITOR BANK, CABLE TO AUTO START CONTROL) SHALL BE SUPPLIED BY THE EQUIPMENT VENDOR. THE CABLE CONNECTION AT THE TERMINAL BLOCK AND AT THE END DEVICE SHALL BE MADE ON SITE BY THE ELECTRICAL CONTRACTOR. THE CABLE FROM THE SOFT START TO THE SANITATION PUMP SHALL BE SUPPLIED AND INSTALLED BY THE ELECTRICAL CONTRACTOR.
- HOA SWITCH TYPE TO BE MAINTAINED IN AUTO POSITION AND SPRING RETURN TO OFF IN HAND POSITION.
- ALL CONTACTORS SHALL BE NEMA RATED. IEC RATED CONTACTORS SHALL NOT BE USED.
- THE SIZE OF THE NEMA CONTACTORS IS TO BE BASED ON THE MANUFACTURER'S RECOMMENDATIONS. MINIMUM SIZE IS SHOWN.



B.M. ELEV. POSTED TO LBIS		FIELD BOOK #:				SNC-LAVALIN INC. 148 Notaire Park Way Winnipeg, MB, Canada R3P 0X7 204-786-8080		ENGINEER'S SEAL	
DESIGNED BY D.E.BECKER		CHECKED BY C. ASMUNDSON		DRAWN BY D.E.BECKER		APPROVED BY C. REIMER			
HOR. SCALE NTS		RELEASED FOR CONSTRUCTION		VERTICAL		DATE		2008 PUMPING STATION UPGRADES INSTALLATION OF NEW PUMPING UNITS AND MODIFICATIONS TO THE BALTIMORE WASTEWATER PUMPING STATION ELEMENTARY DIAGRAM SANITATION PUMP: SP2	
01 ISSUED FOR TENDER	2008/07/25	DEB		00 ISSUED FOR TENDER	2007/12/11	DEB		CITY DRAWING NUMBER: 06801 7 OF 17 SHEET REV. SIZE: 7 01 D	
NO. REVISIONS		DATE		BY		FILENAME: 06801.dwg		BID OPPORTUNITY 613-2008	

DRAWING NUMBER	REFERENCE DRAWINGS
----------------	--------------------