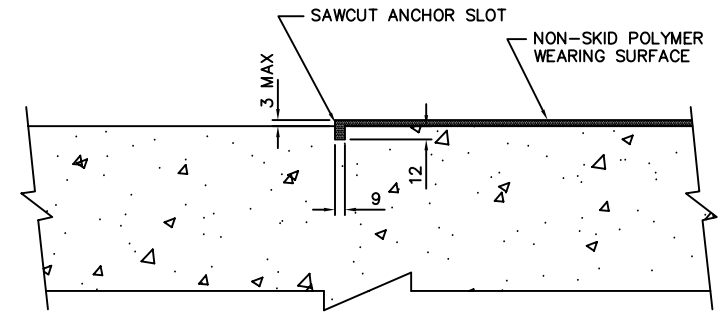


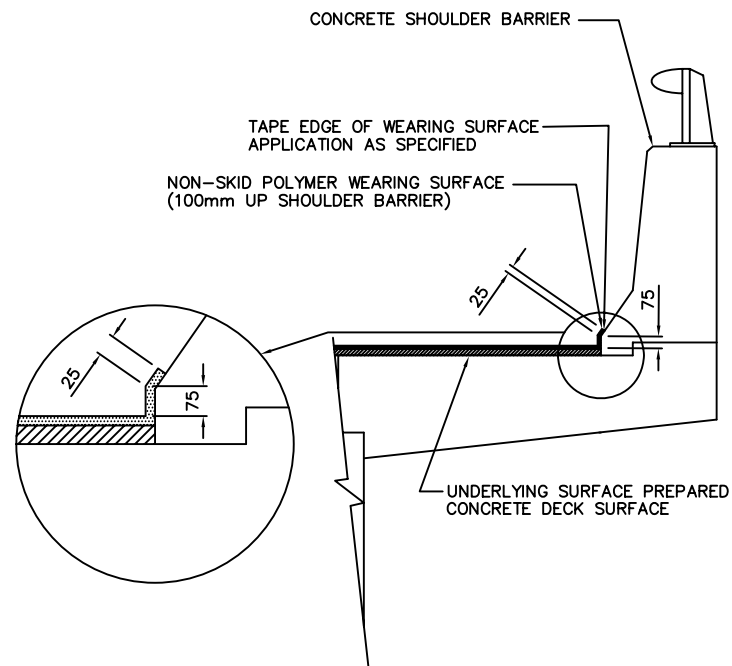
DECK REPAIR DETAILS

N.T.S.



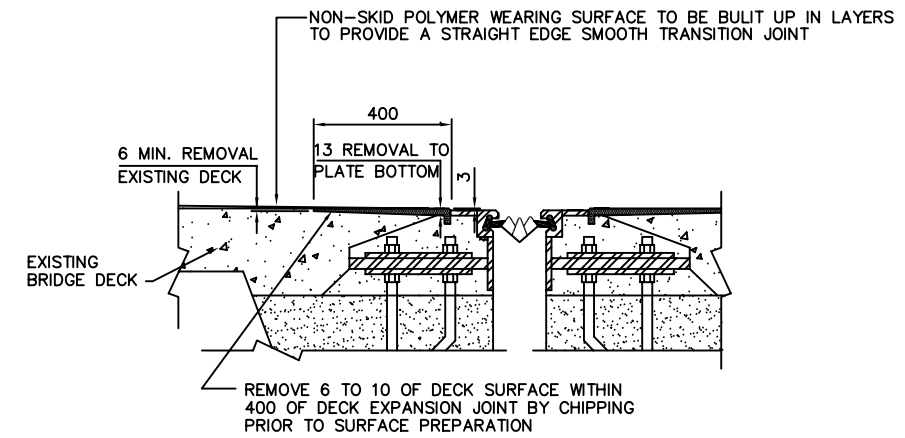
TYPICAL ANCHOR DETAIL

N.T.S.



TRAFFIC BARRIER DETAIL (TYPICAL)

N.T.S.



EXPANSION JOINT DETAIL (TYPICAL)

N.T.S.

METRIC
WHOLE NUMBERS INDICATE MILLIMETRES
DECIMALIZED NUMBERS INDICATE METRES

NOTE:	B.M. ELEV.	DESIGNED BY: B.A.N.		CITY OF WINNIPEG PUBLIC WORKS DEPARTMENT ENGINEERING DIVISION	SHEET 1 OF 1		
		DRAWN BY: M.R.T.				MISCELLANEOUS DECK SEALING, CONCRETE REPAIRS & RELATED WORKS	
		CHECKED BY: B.A.N.					WEARING SURFACE DETAILS (TYPICAL)
		APPROVED BY: B.A.N.					
		AUTHORIZED BY:					
		B.A. NEIRINK BRIDGE PLANNING & OPERATIONS ENGINEER					
NO.	REVISION	DATE	BY				