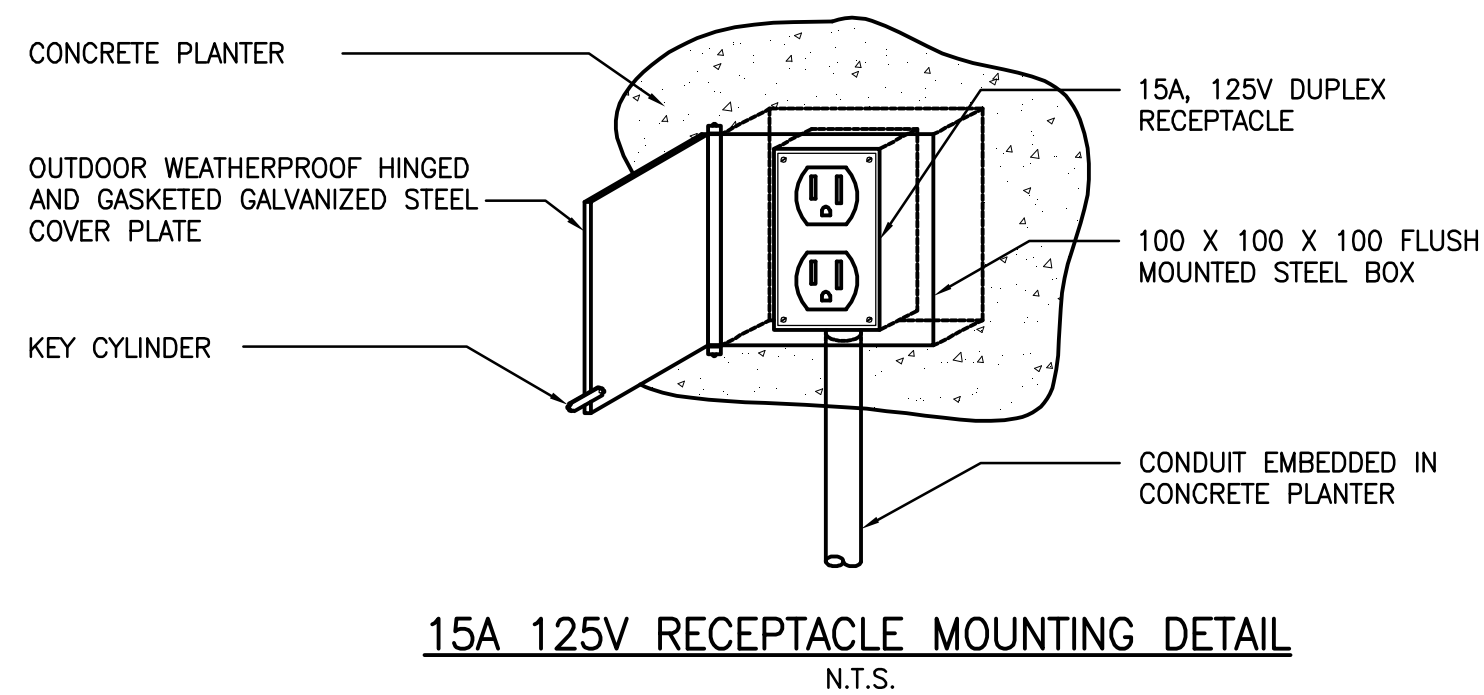
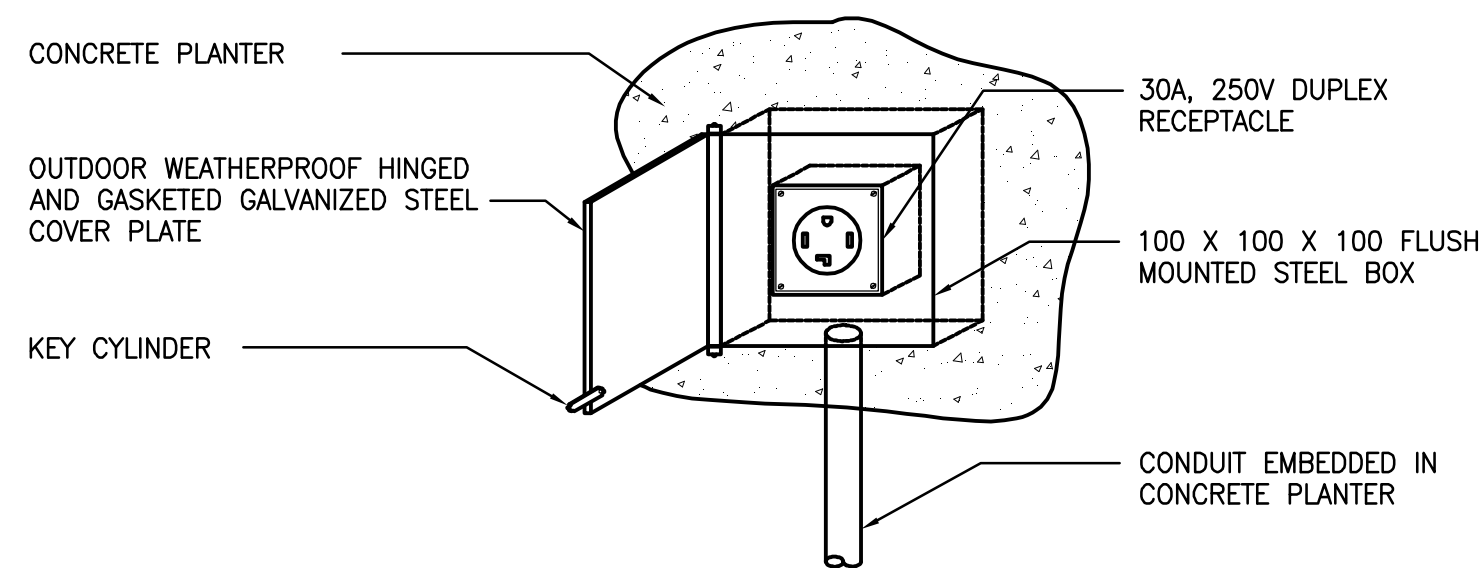


RECEPTACLE BOX NOTES:

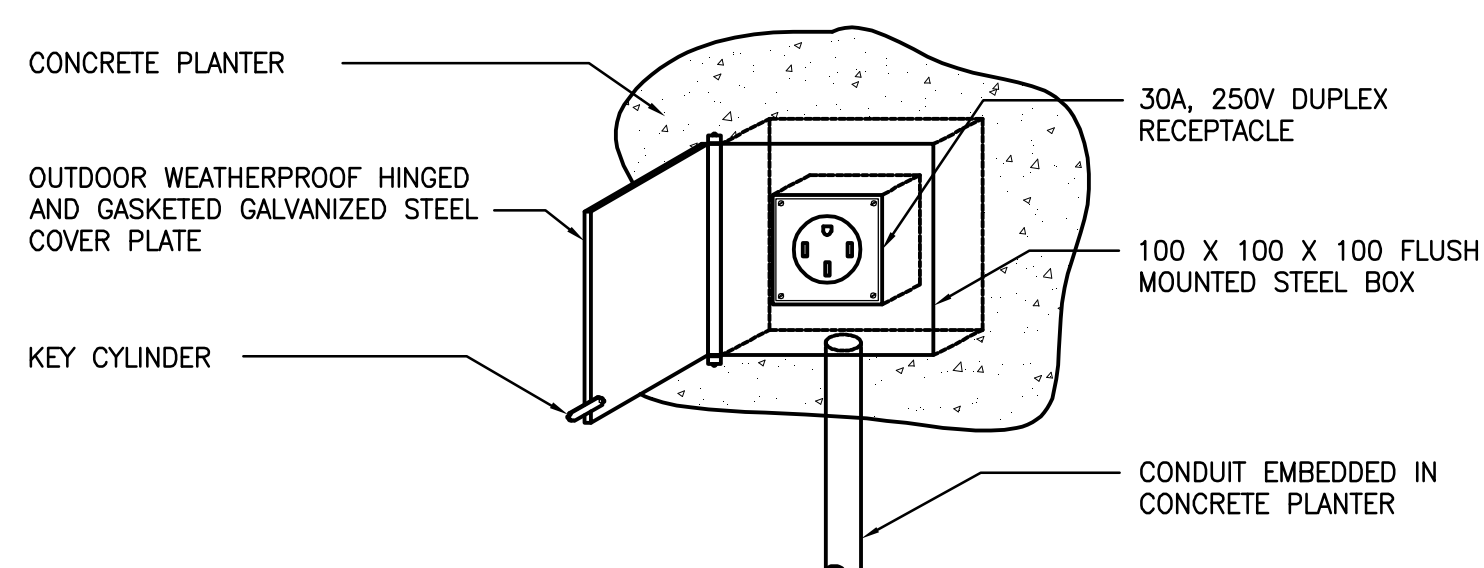
1. EACH COVER PLATE TO BE PROVIDED WITH OUTDOOR RATED BUILT-IN LOCK. ALL 15A RECEPTACLE BOXES SHALL BE KEYPED ALIKE. ALL 30A AND 50A RECEPTACLE BOXES SHALL BE KEYPED ALIKE.
2. ALL RECEPTACLE BOXES SHALL BE MANUFACTURED BY J.R. STEPHENSON



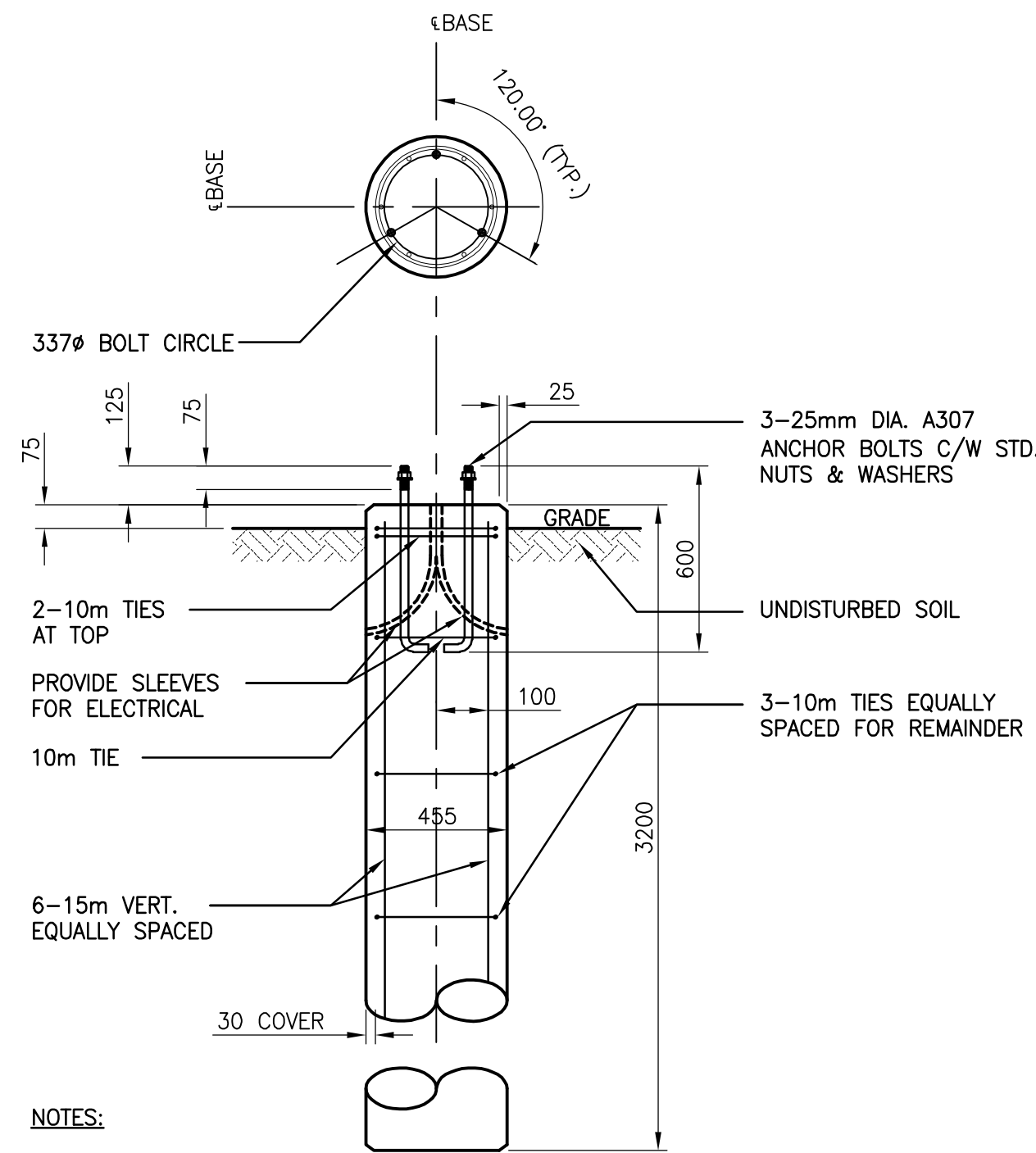
15A 125V RECEPTACLE MOUNTING DETAIL
N.T.S.



30A 250V RECEPTACLE MOUNTING DETAIL
N.T.S.



50A 250V RECEPTACLE MOUNTING DETAIL
N.T.S.



NOTES:

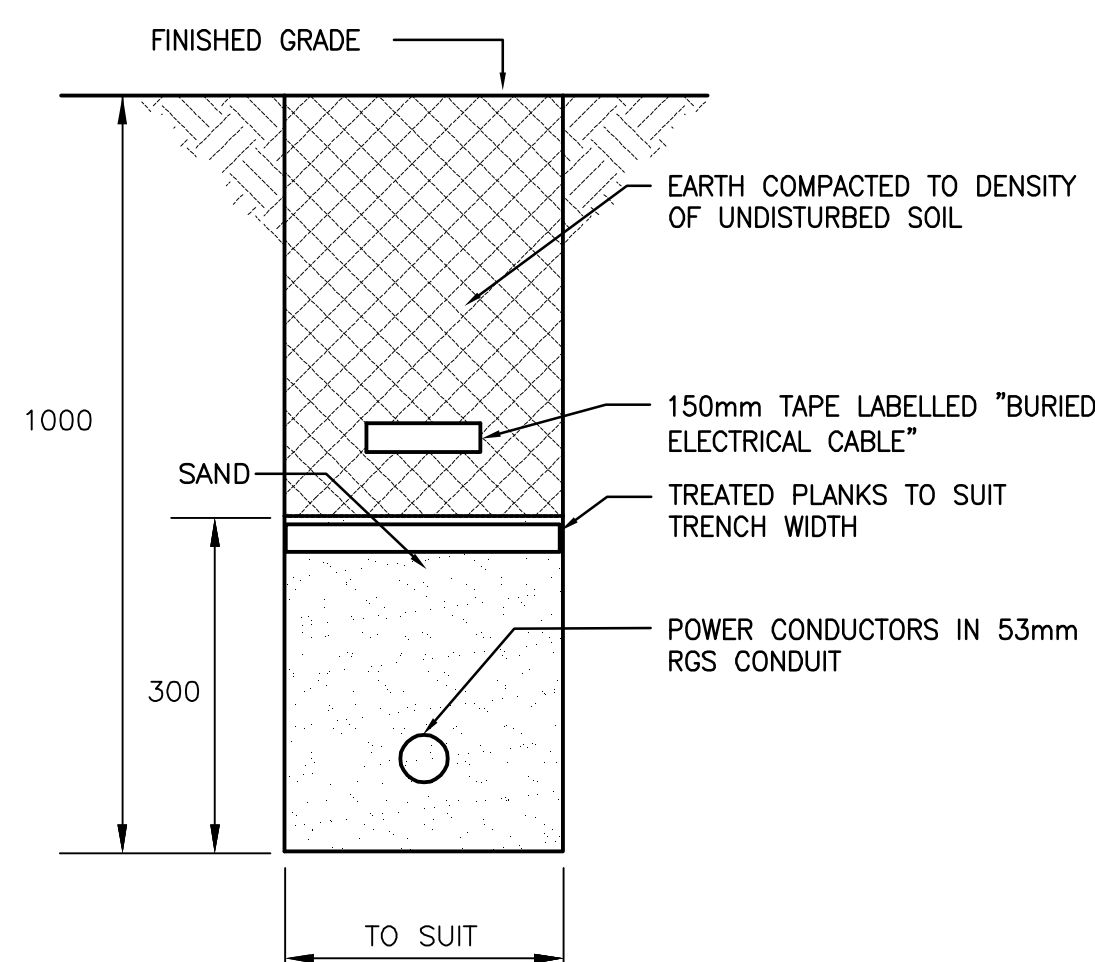
1. ALL CONCRETE SHALL BE IN ACCORDANCE WITH CAN23.1 AND A23.3-M77 (LATEST EDITION).
2. CONCRETE SHALL BE PROPORTIONED IN ACCORDANCE WITH CAN 3 23.7-77 TO MEET THE FOLLOWING REQUIREMENTS:

28 DAY STRENGTH	35 MPa
CEMENT TYPE	50
SLUMP	90 (mm±13mm)
AGGREGATE SIZE	19mm
ENTRAINMENT AIR	6-8%
WATER/CEMENT RATIO	0.45

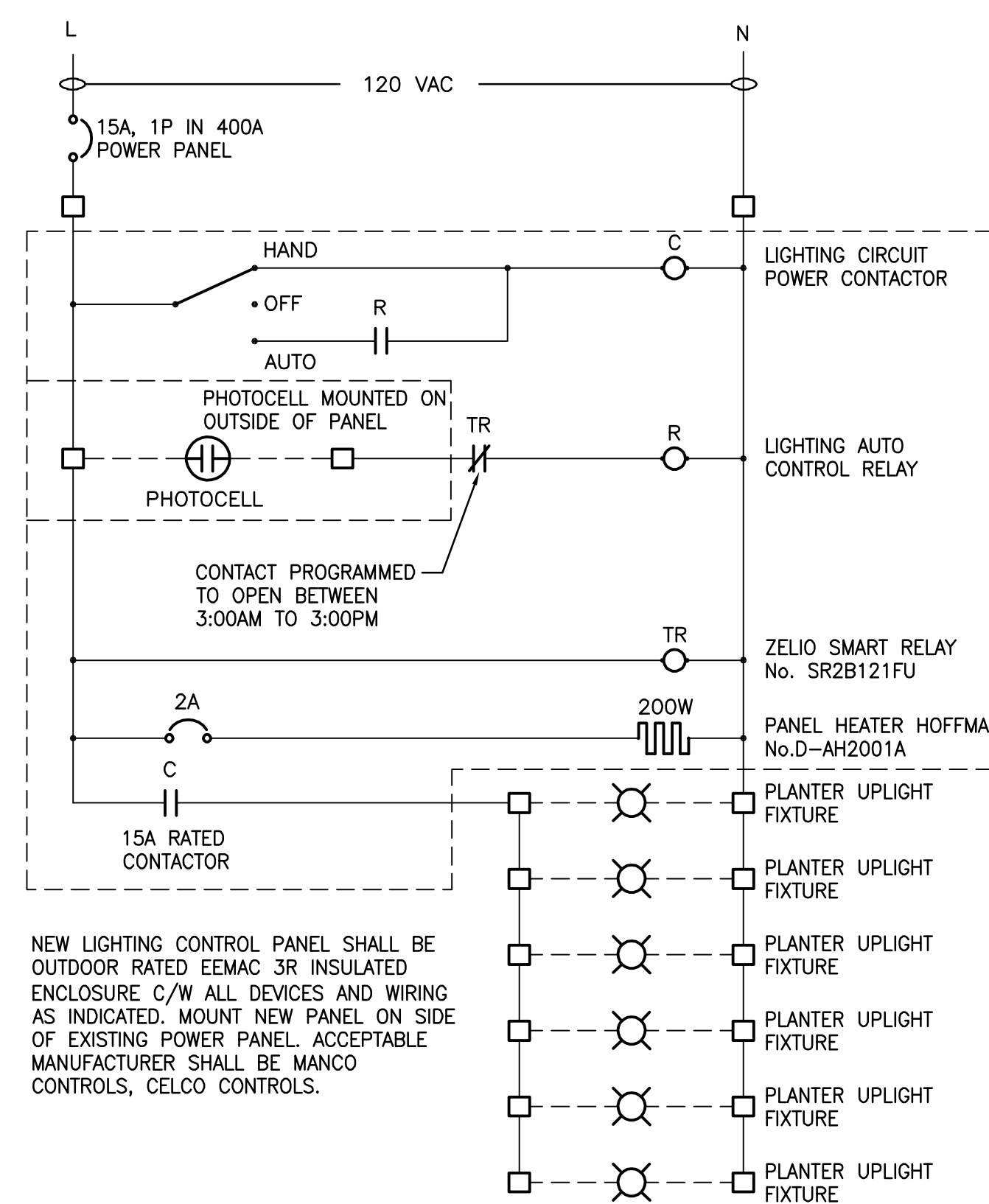
REINFORCING STEEL
 3. ALL REINFORCING BARS TO BE HIGH STRENGTH DEFORMED BARS TO GRADE 400 MPa (GRADE 60) DEFORMED BILLET STEEL BARS. ALL BARS TO CONFORM TO CSA G30.12-M1977/ASTM A615.

4. CONCRETE COVER SHALL BE AS NOTED ON DRAWINGS.

LAMP BASE DETAIL
1:20

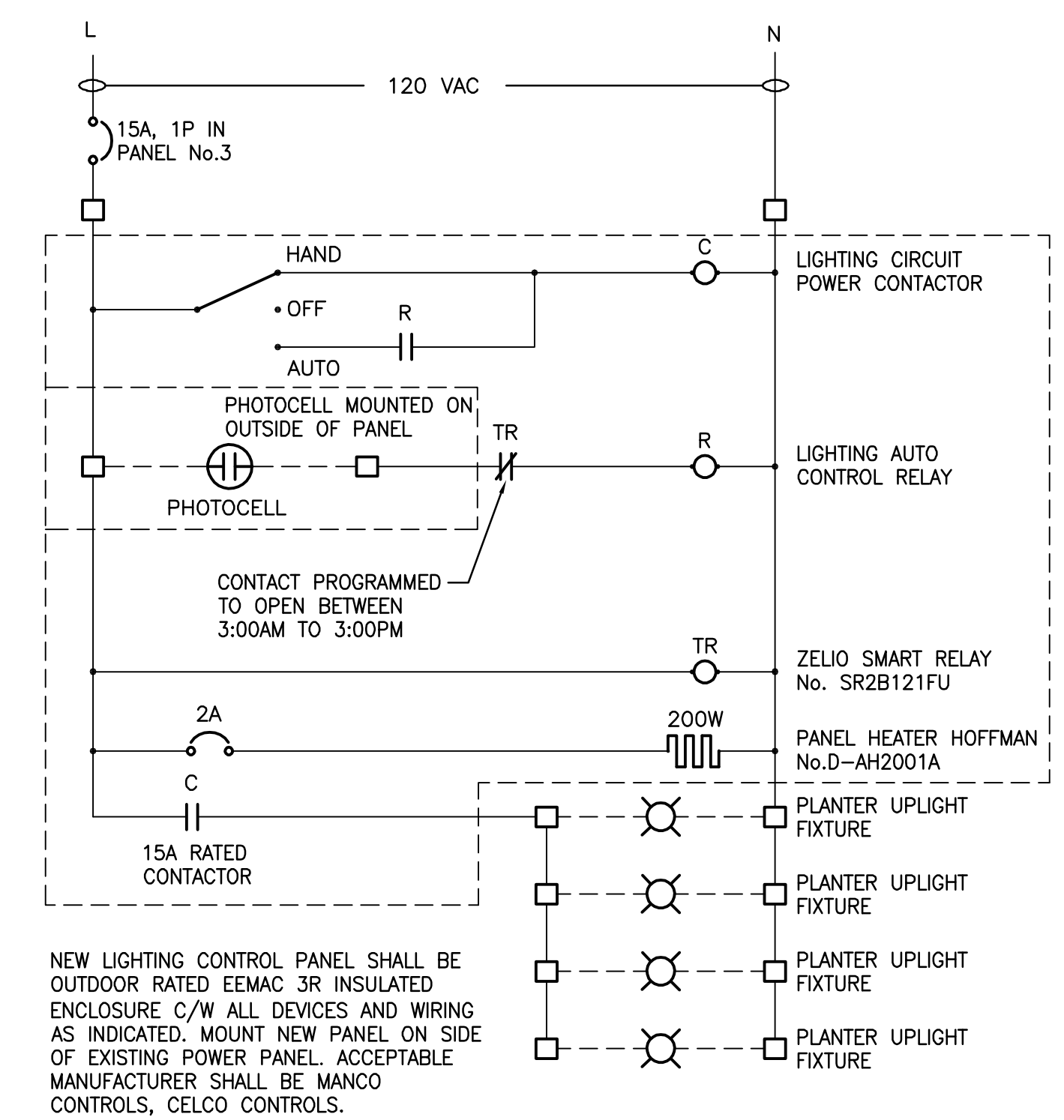


TRENCH DETAIL
N.T.S.



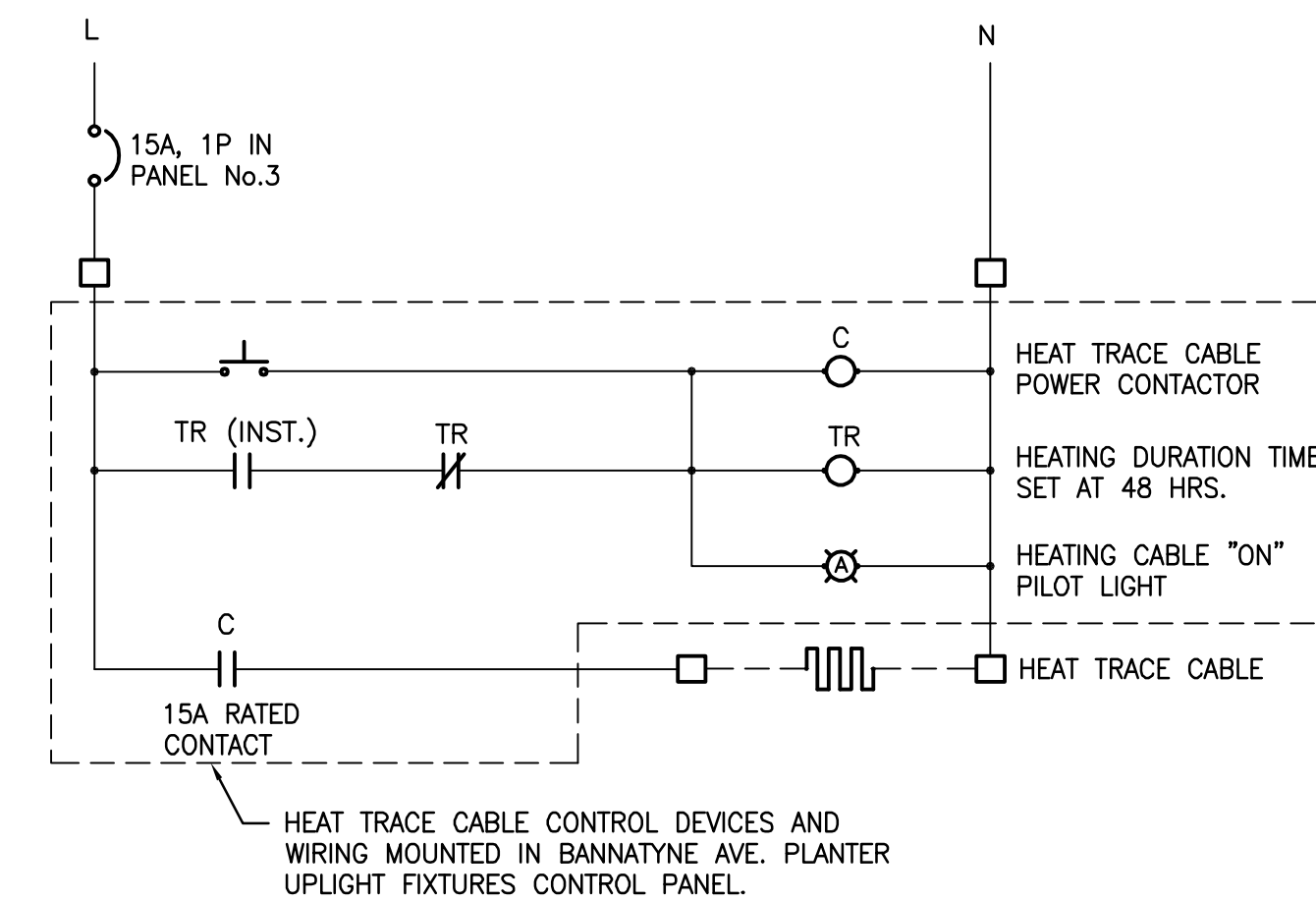
NEW LIGHTING CONTROL PANEL SHALL BE OUTDOOR RATED EEMAC 3R INSULATED ENCLOSURE C/W ALL DEVICES AND WIRING AS INDICATED. MOUNT NEW PANEL ON SIDE OF EXISTING POWER PANEL. ACCEPTABLE MANUFACTURER SHALL BE MANCO CONTROLS, CELCO CONTROLS.

KING ST. PLANTER UPLIGHT FIXTURES CONTROL WIRING DIAGRAM



NEW LIGHTING CONTROL PANEL SHALL BE OUTDOOR RATED EEMAC 3R INSULATED ENCLOSURE C/W ALL DEVICES AND WIRING AS INDICATED. MOUNT NEW PANEL ON SIDE OF EXISTING POWER PANEL. ACCEPTABLE MANUFACTURER SHALL BE MANCO CONTROLS, CELCO CONTROLS.

BANNATYNE AVE. PLANTER UPLIGHT FIXTURES CONTROL WIRING DIAGRAM



PARKADE DRAINAGE TRENCH HEAT TRACE CABLE CONTROL WIRING DIAGRAM

APECM
 Certificate of Authorization
 Stantec Consulting Ltd.
 No. 1301 Expiry: April 30, 2009

LOCATION APPROVED UNDERGROUND STRUCTURES

SUPV. U/G STRUCTURES COMMITTEE DATE

NOTE:
 LOCATION OF UNDERGROUND STRUCTURES AS SHOWN ARE BASED ON THE BEST INFORMATION AVAILABLE BUT NO GUARANTEE IS GIVEN THAT ALL EXISTING UTILITIES ARE SHOWN OR THAT THE GIVEN LOCATIONS ARE EXACT. CONFIRMATION OF EXISTENCE AND EXACT LOCATION OF ALL SERVICES MUST BE OBTAINED FROM THE INDIVIDUAL UTILITIES BEFORE PROCEEDING WITH CONSTRUCTION.

B.M. ELEV.			
DESIGNED BY	D.G.	CHECKED BY	D.W.D.
DRAWN BY	D.G.	APPROVED BY	D.W.D.
HOR. SCALE:	AS SHOWN	RELEASED FOR CONSTRUCTION:	
VERTICAL:		DATE	08.06.10
NO. REVISIONS		DATE	
	0	ISSUED FOR TENDER	08.08.06
	0	ISSUED FOR TENDER	08.07.14 D.W.D.

Stantec Consulting Ltd.
 905 Waverley Street, Winnipeg, Manitoba
 Tel 204-489-5900 Fax 204-453-9012

DESIGNED BY: D.G. CHECKED BY: D.W.D.
 DRAWN BY: D.G. APPROVED BY: D.W.D.

HOR. SCALE: AS SHOWN RELEASED FOR CONSTRUCTION: DATE
 VERTICAL: DATE 08.06.10

ENGINEER'S SEAL
 PROVINCE OF MANITOBA
D.W. DOWHAN
 REGISTERED PROFESSIONAL ENGINEER
 CONSULTANT DRAWING NO. E-501

THE CITY OF WINNIPEG
 PUBLIC WORKS DEPARTMENT
 TRANSPORTATION ENGINEERING DIVISION

Winnipeg

KING STREET-RECONSTRUCTION
 OLD MARKET SQUARE - PHASE 1
 OLD MARKET SQUARE
 ELECTRICAL DETAILS

SHEET 16 OF 16
 CAD FILE DRAWING NUMBER 04780e-501-696.dwg
 CITY DRAWING NUMBER P-3295-15