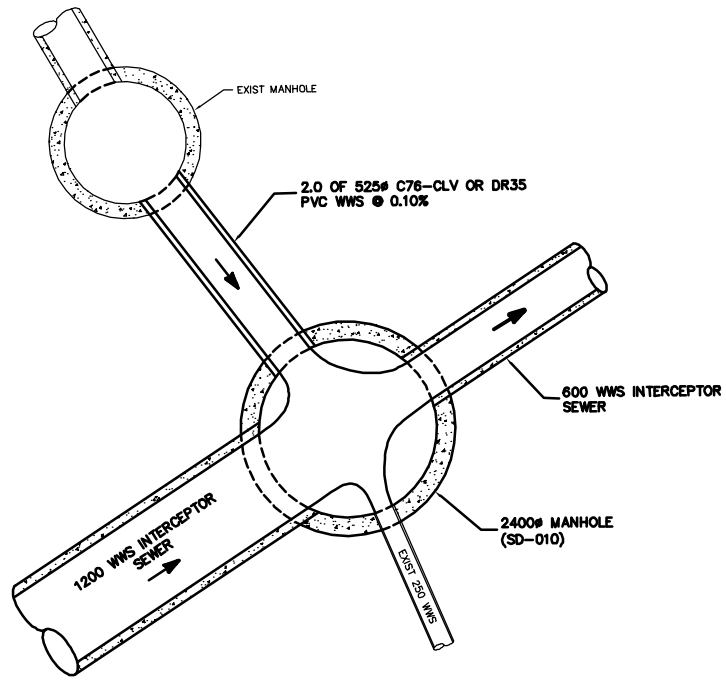
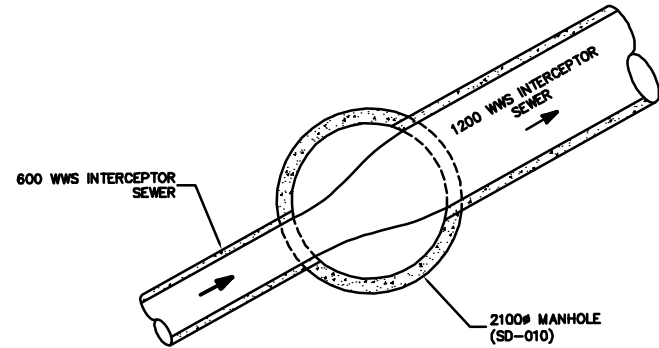


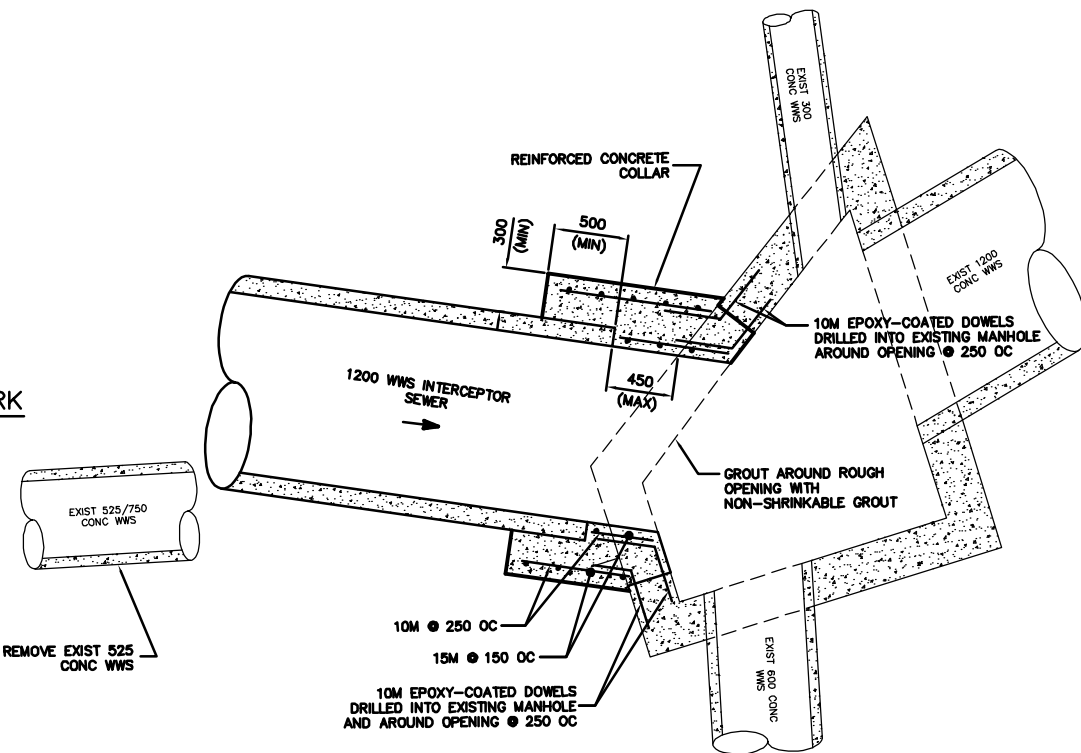
DETAIL "A"
 BENCHING FOR PROPOSED MANHOLE ON KIRKBRIDGE EAST OF PARK
 SCALE 1:50



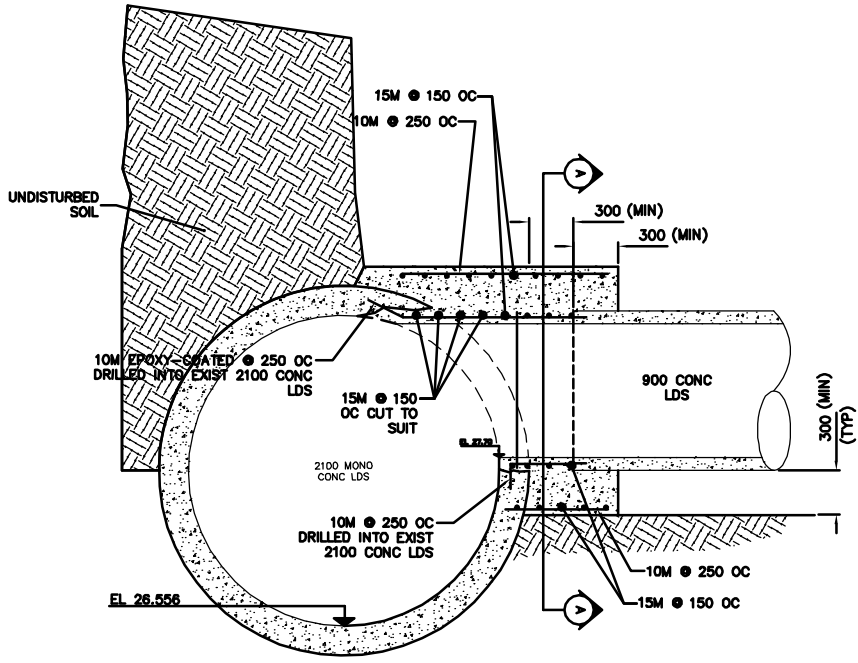
DETAIL "B"
 BENCHING FOR PROPOSED 2400# MANHOLE AT W R MARRINGTON
 SCALE 1:50



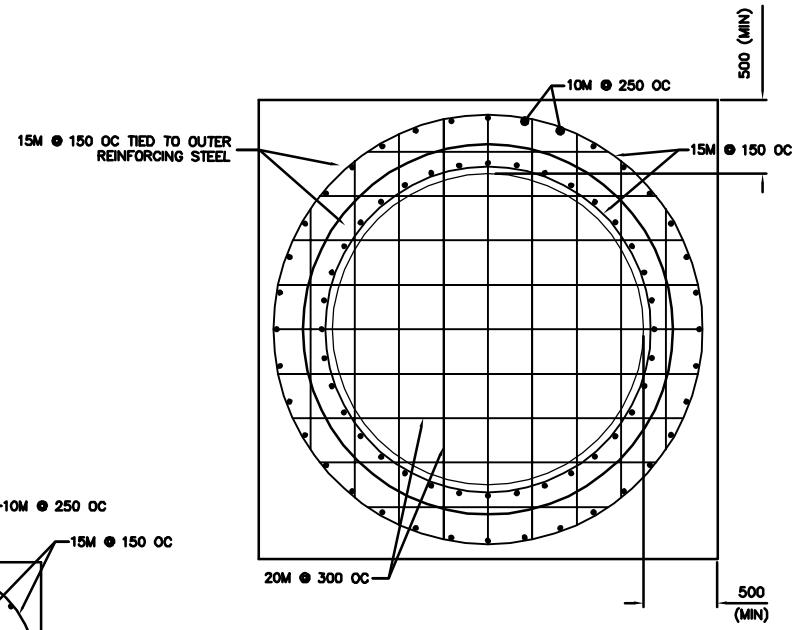
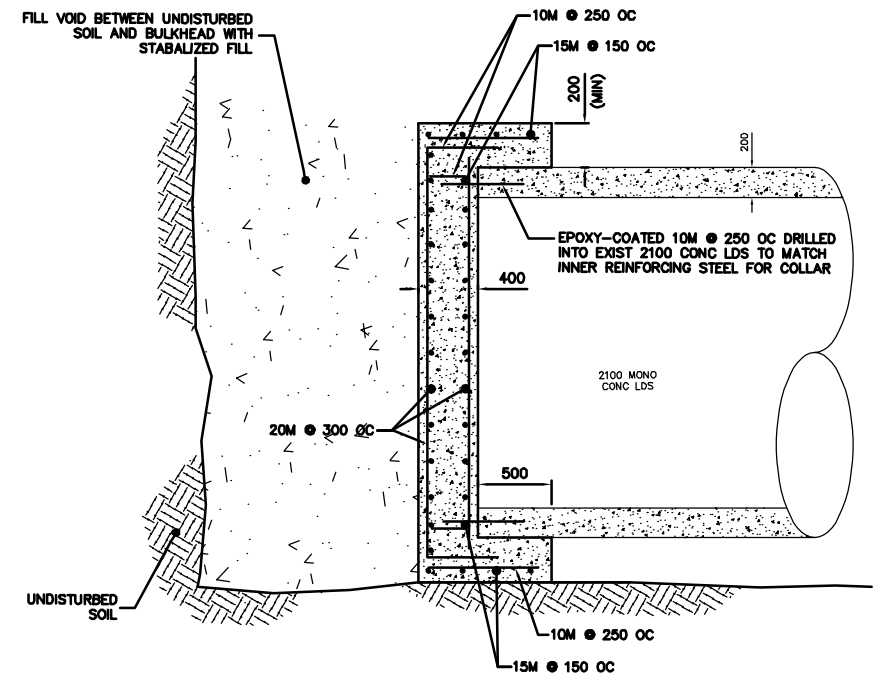
DETAIL "C"
 BENCHING FOR PROPOSED 2100# MANHOLE AT E R MARRINGTON
 SCALE 1:50



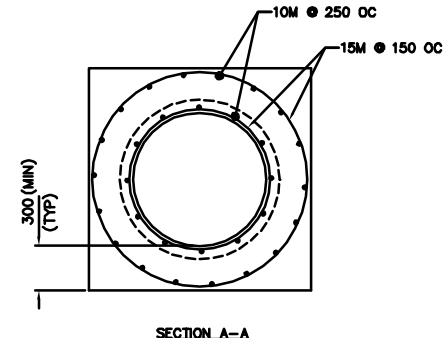
DETAIL "D"
 SEWER CONNECTION TO CHAMBER AT E R PEMBINA
 SCALE 1:25



DETAIL "G"
 900# TO 2100# TEE CONNECTION
 SCALE 1:25



DETAIL "F"
 2100# BULKHEAD DESIGN
 SCALE 1:25



- NOTES:**
- ALL REINFORCING STEEL TO HAVE MIN. 60 COVER.
 - UNDERGROUND CONCRETE WORK TO BE DONE IN ACCORDANCE WITH CW 2160.
 - CONCRETE MIX SHALL HAVE THE FOLLOWING PROPERTIES :
 - A) MIN. COMPRESSIVE STRENGTH AT 28 DAYS: 35 MPa
 - B) MAX. SLUMP: 80mm ±20mm
 - C) AIR CONTENT: 4.0-7.0%
 - D) MAX. WATER/CEMENT RATION: 0.45

METRIC
 WHOLE NUMBERS INDICATE MILLIMETRES
 DECIMALIZED NUMBERS INDICATE METRES

B.M. ELEV.	FIELD BOOK #:	CITY OF WINNIPEG WATER AND WASTE ENGINEERING DIVISION		ENGINEER'S SEAL	THE CITY OF WINNIPEG WATER AND WASTE DEPARTMENT WAVERLEY WEST INTERCEPTOR SEWER PHASE 1A-PEMBINA HWY TO AINSWORTH PL MISCELLANEOUS DETAILS	SHEET 6 OF 6 CITY DRAWING NUMBER
POSTED TO LBS						
		DRAWN BY: PB/CJH	APPROVED BY: KZ			
		HOR. SCALE: AS SHOWN	RELEASED FOR CONSTRUCTION			
NO.	REVISIONS	DATE	BY	DATE	2008 08 14	