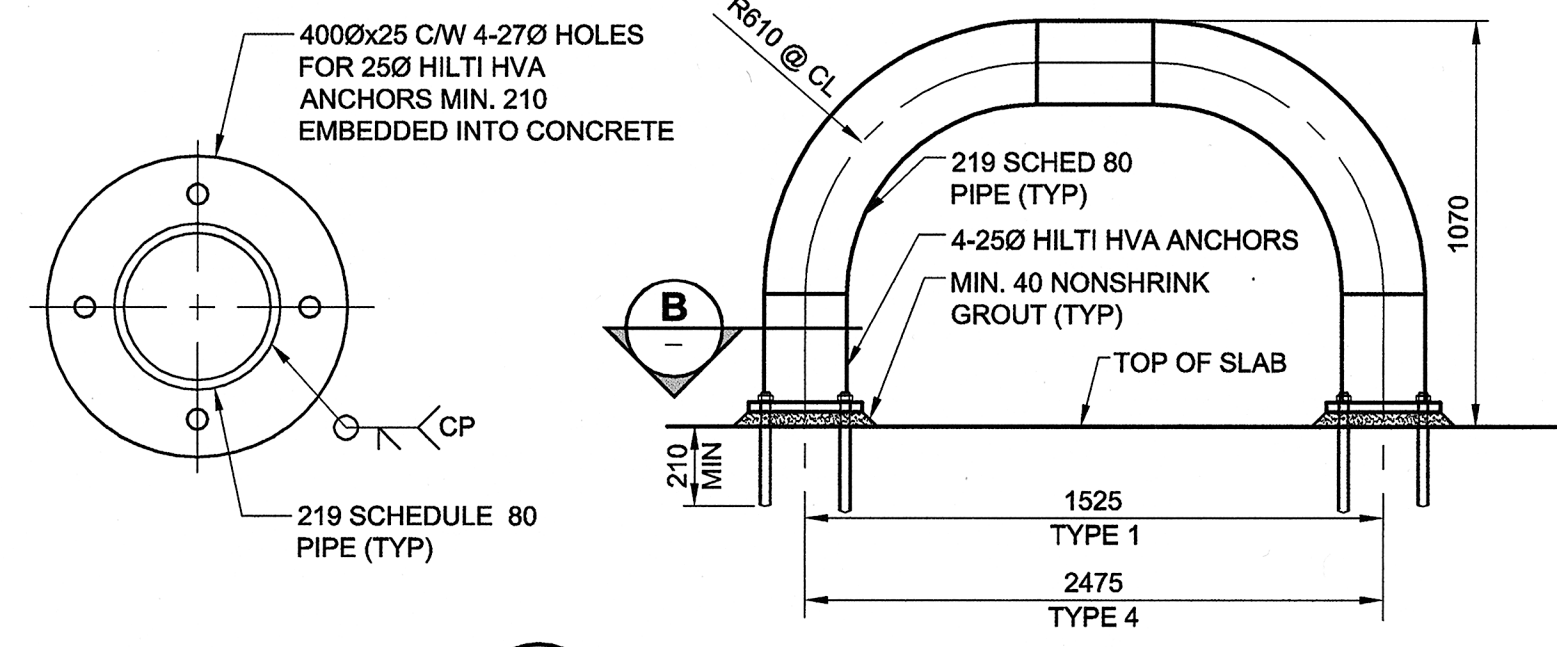
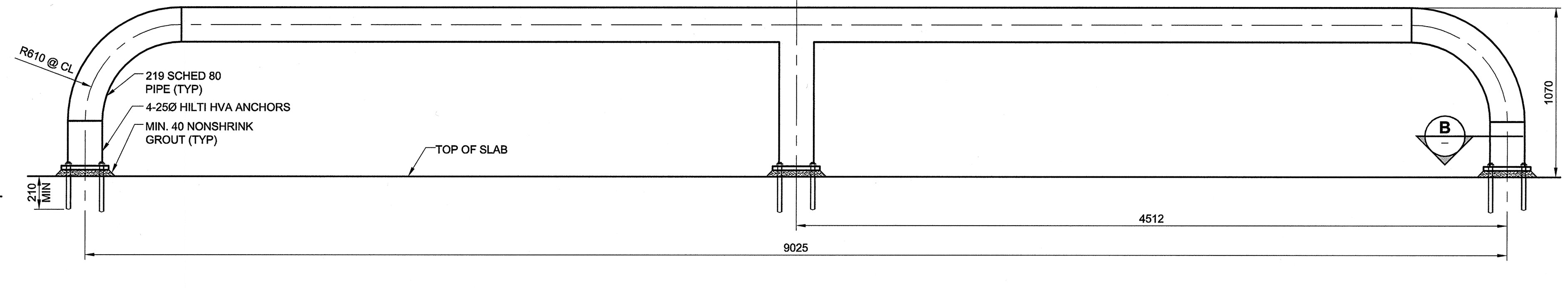


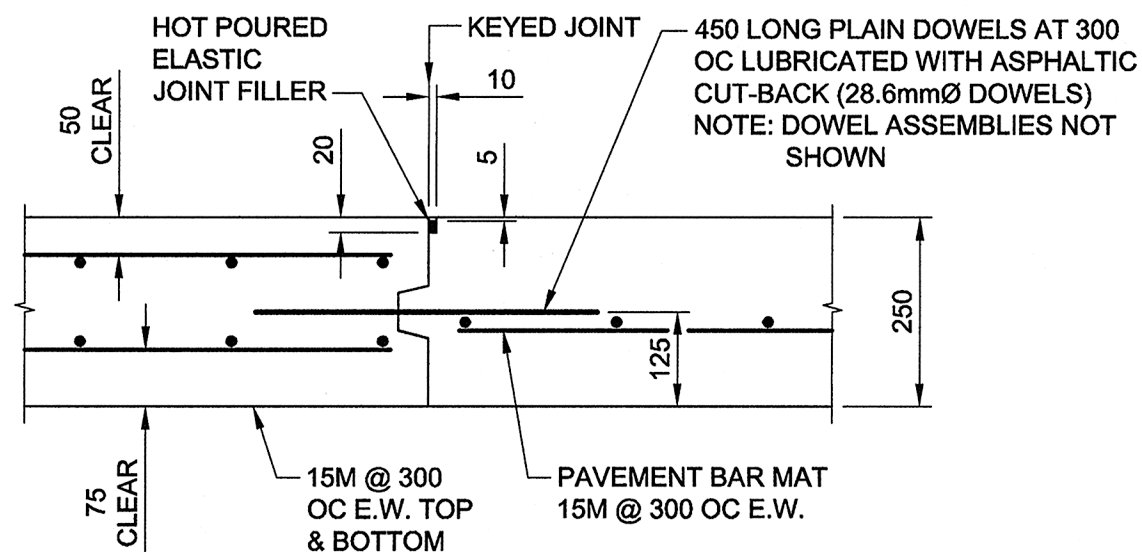
SECTION A
01-S-0001
RAISED CONCRETE ISLAND
SCALE 1:10



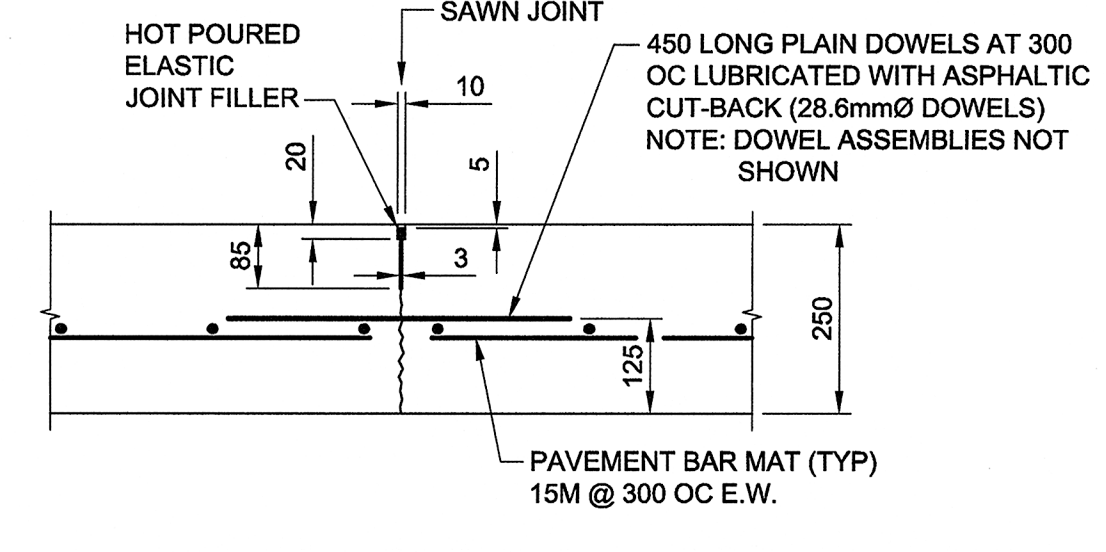
SECTION B
01-S-0001
TYPICAL BASEPLATE FOR TYPE 1 & 2 BOLLARDS
SCALE 1:10



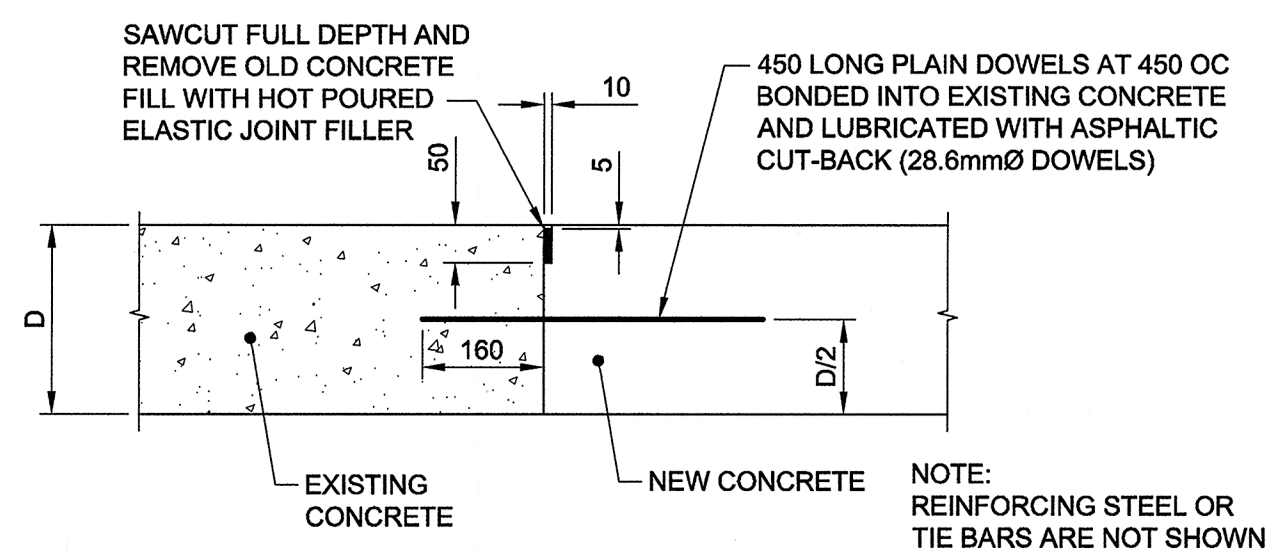
BOLLARD DETAIL TYPE 2
SCALE 1:20



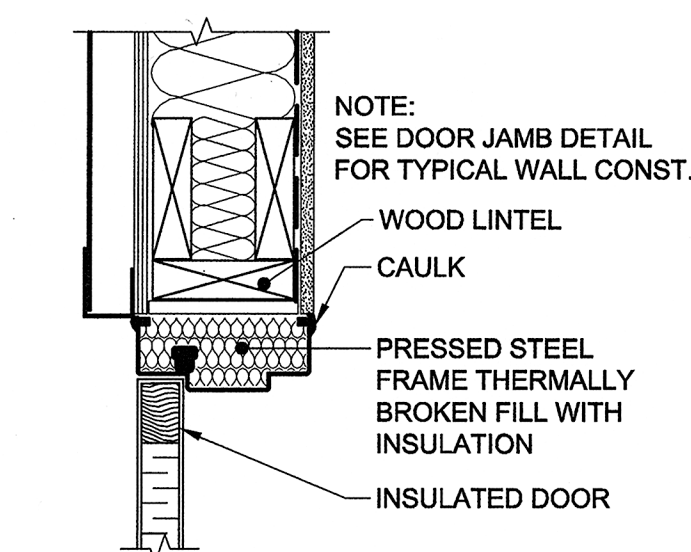
TYPICAL CONSTRUCTION JOINT DETAIL
SCALE 1:10



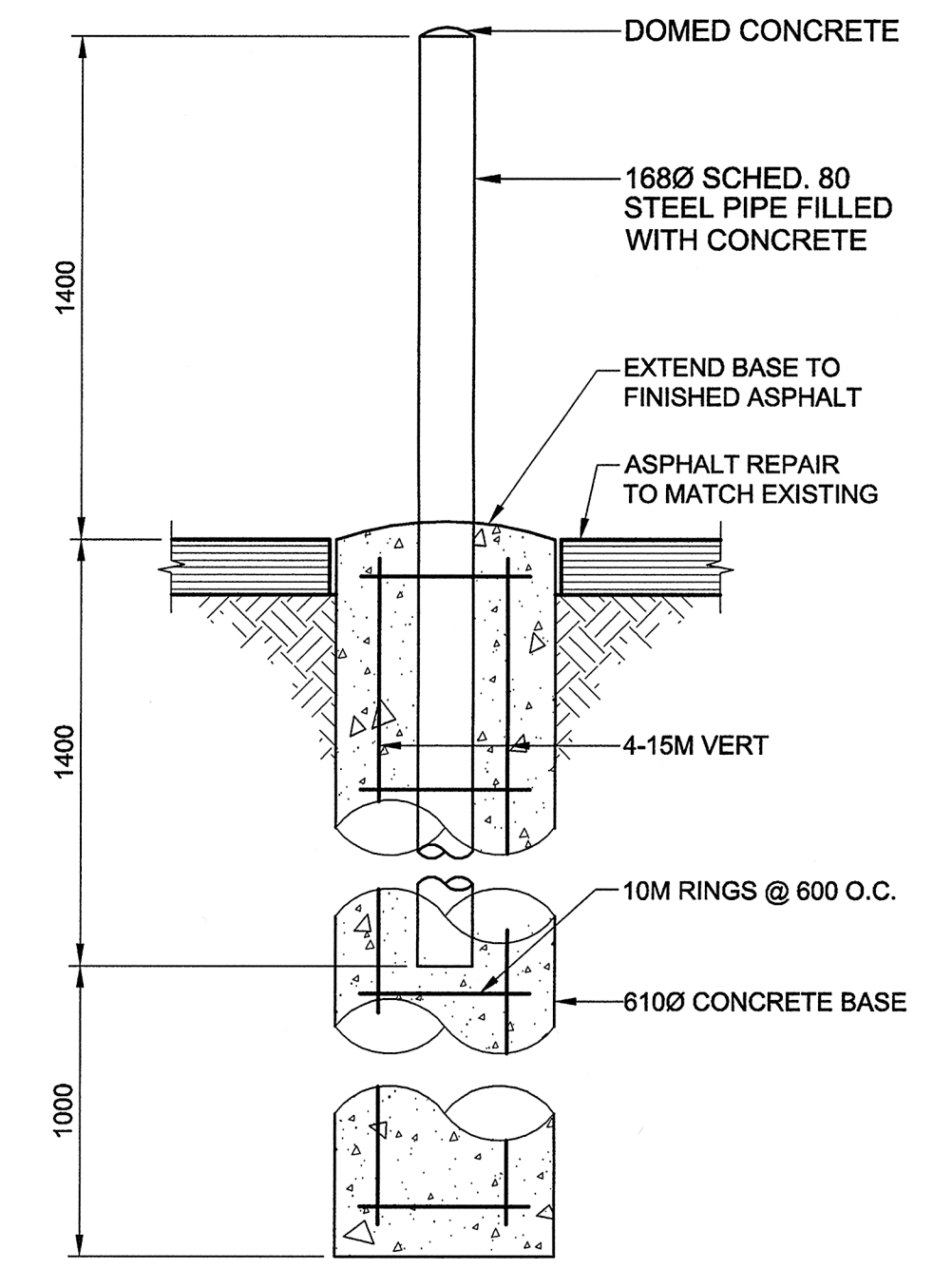
TYPICAL CONTROL JOINT DETAIL
SCALE 1:10



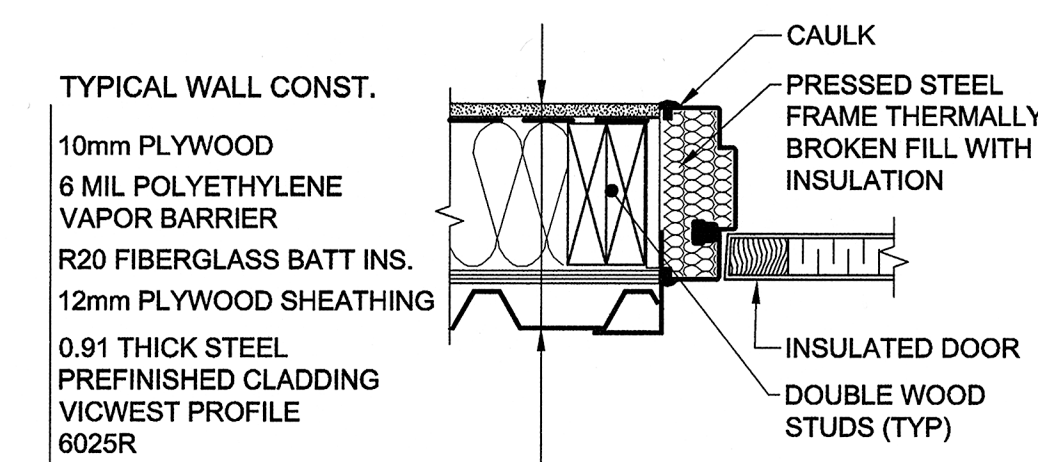
TYPICAL SAWN CONSTRUCTION JOINT DETAIL
SCALE 1:10



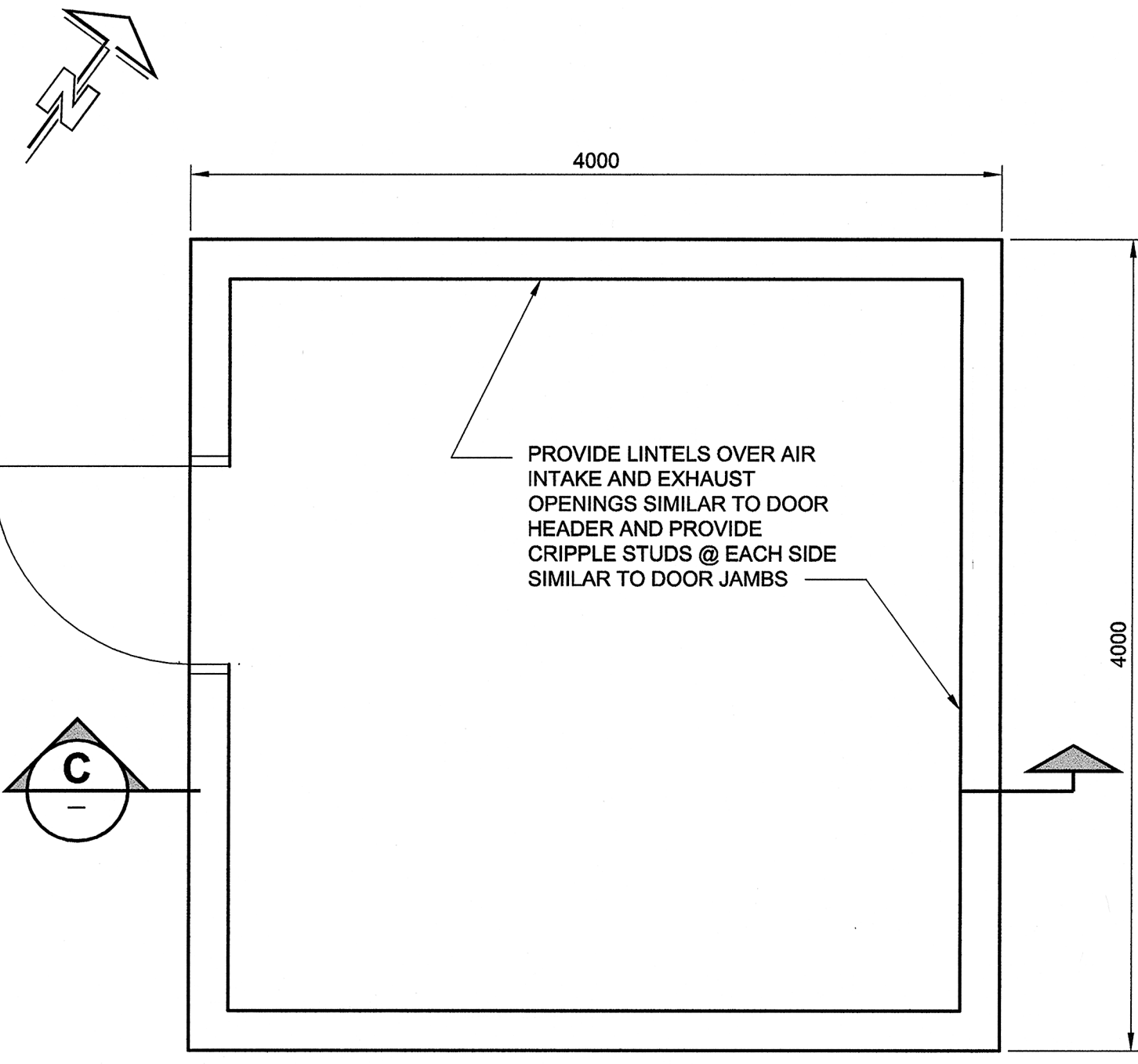
DOOR HEADER DETAIL
SCALE 1:7.5



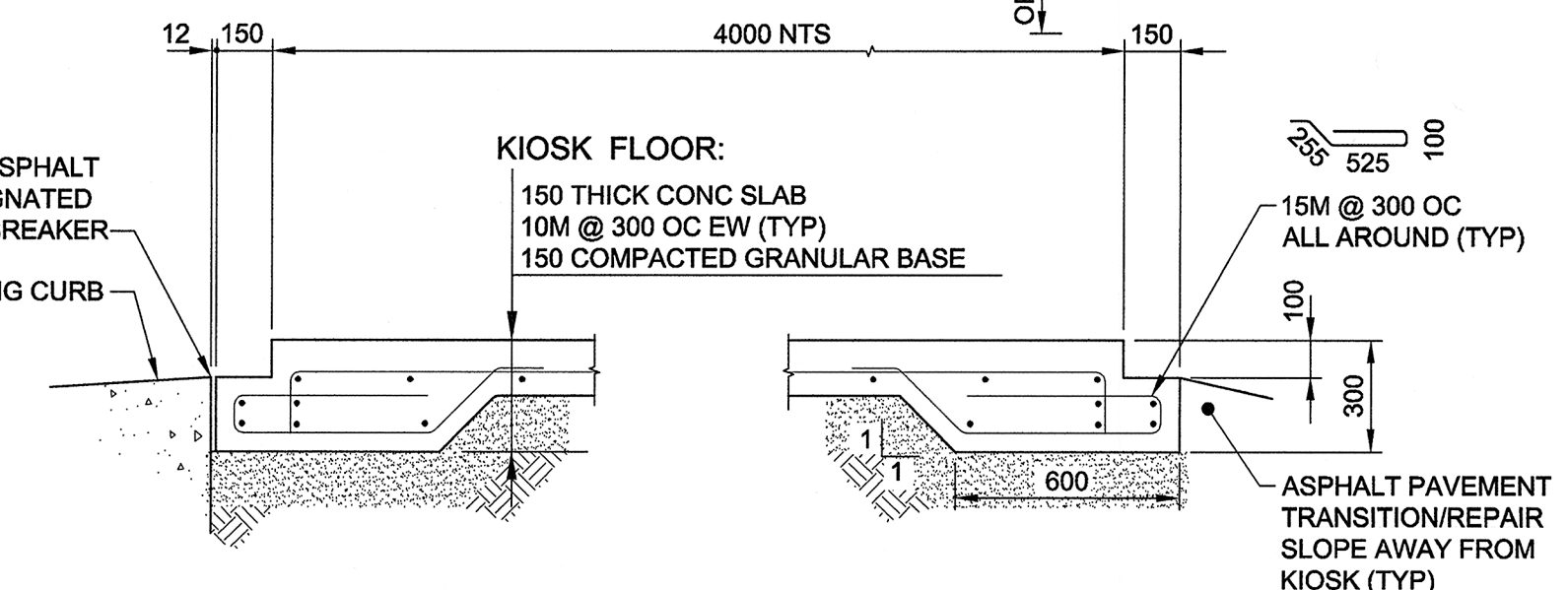
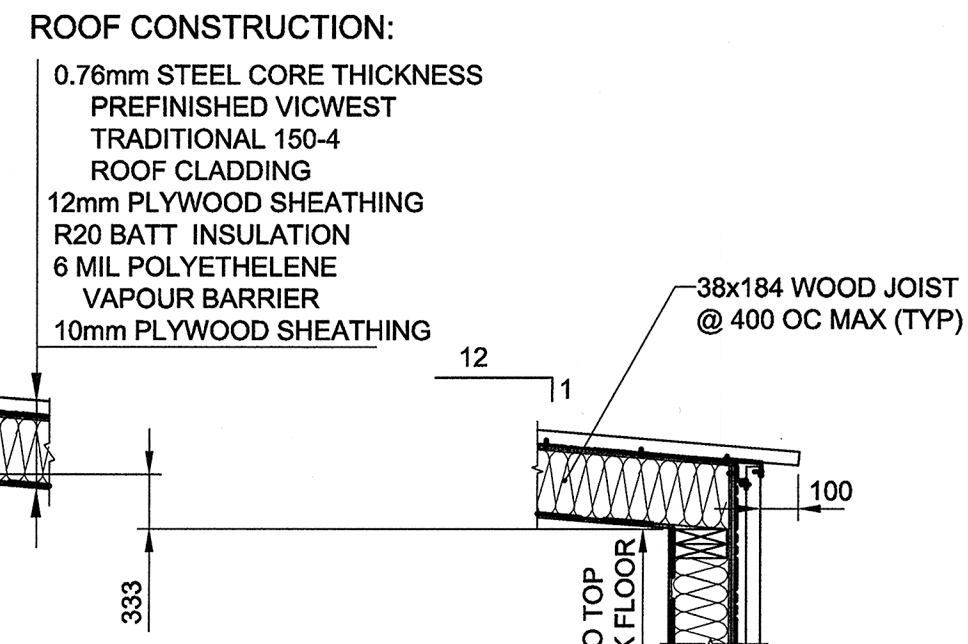
BOLLARD DETAIL TYPE 3
SCALE 1:20



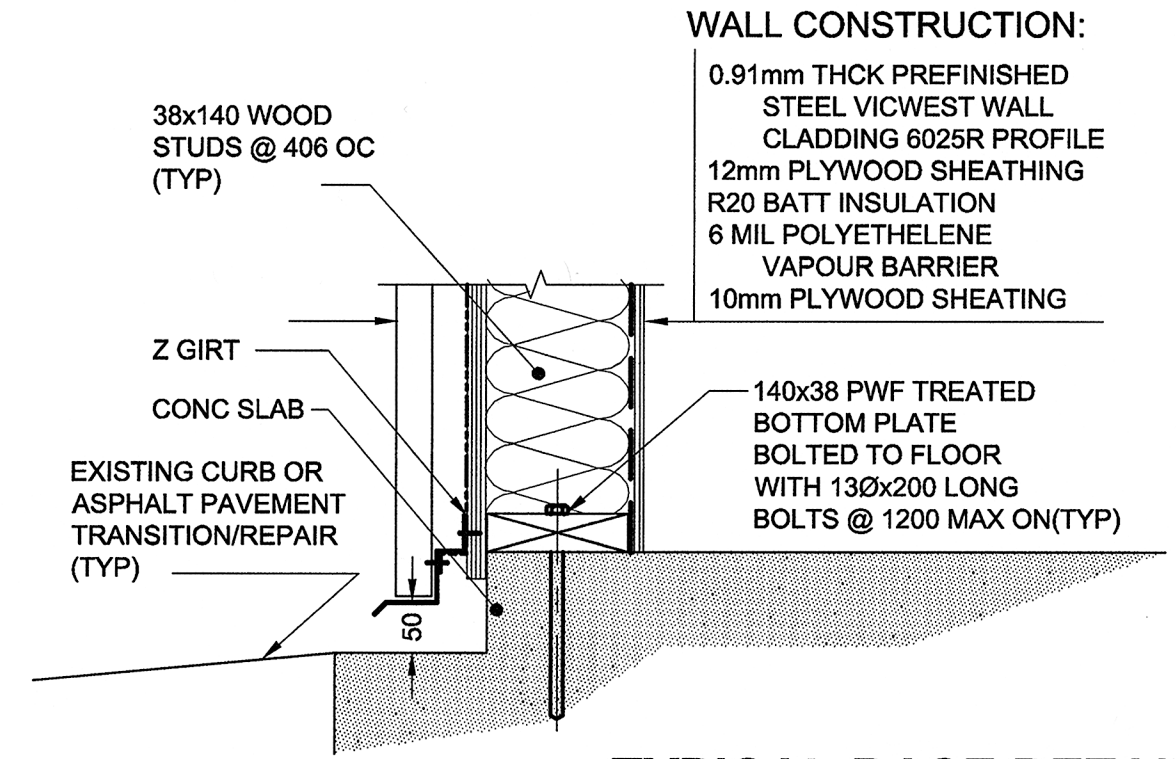
DOOR JAMB DETAIL
SCALE 1:7.5



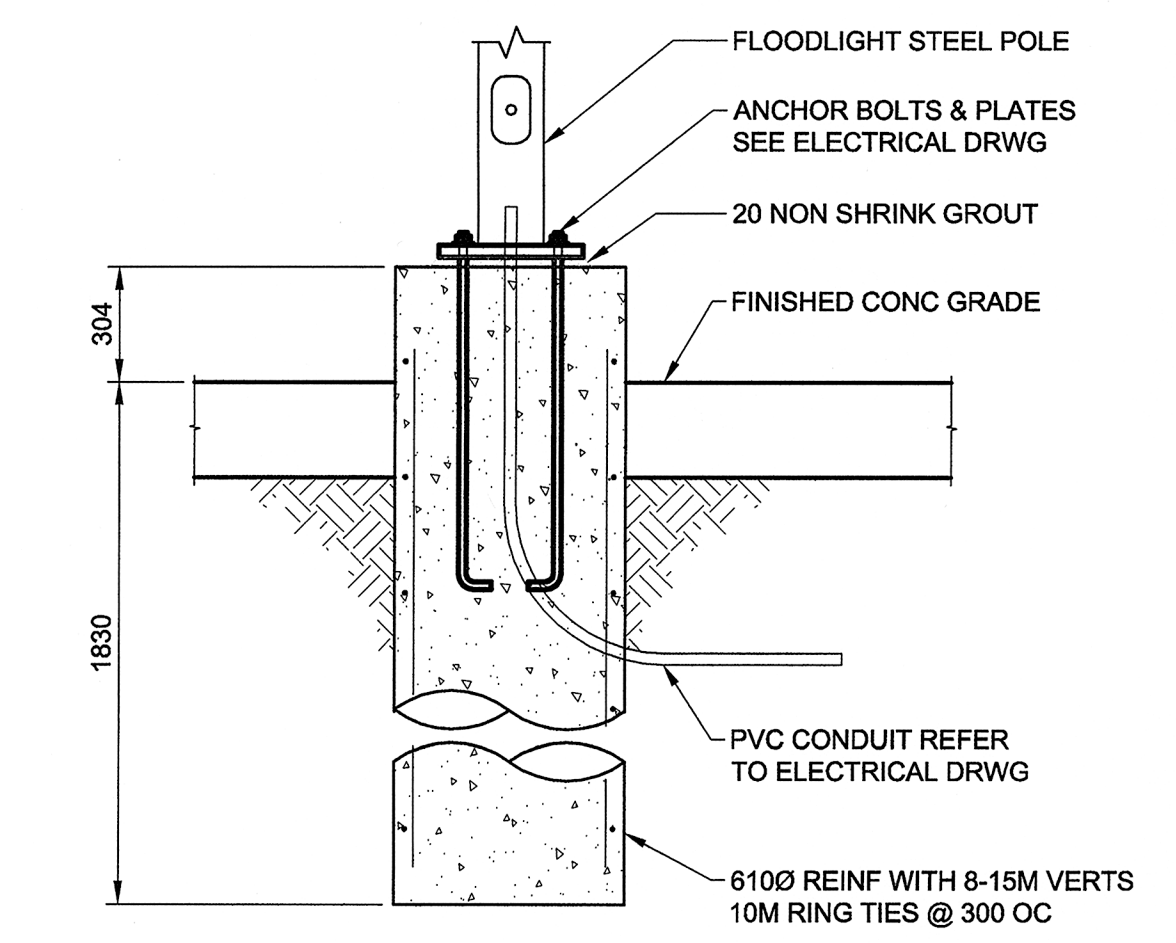
DETAIL 2
01-S-0001
SCALE 1:30



SECTION C
01-S-0001
TYPICAL KIOSK FLOOR SLAB
KIOSK WALL ON FLOOR NOT SHOWN FOR CLARITY
SCALE 1:20



TYPICAL BASE DETAIL
SCALE 1:7.5



LIGHT STANDARD TYPICAL
SCALE 1:20

PROFESSIONAL SEALS

PRELIMINARY
NOT FOR CONSTRUCTION
Date: 08/04/21

I/R	YY/MM/DD	ISSUE/REVISION DESCRIPTION	DRN	CHK	DES	ENG	IDR	APP
C	08/04/21	Issued For Bid						
B	08/04/07	Issued For Review	MP	CGC	SBB	SBB	BLL	-
A	08/03/07	Issued For Review	MP	CK	SBB	SBB	WJ	-

UMA | AECOM

City of Winnipeg
Construction of a New Fueling Facility
District 6 Public Works Yard, 1539 Waverley St.
Structural
Sections and Details

PROJECT NUMBER	DRAWING NUMBER	ISSUE/REVISION
0265-405-00	01-S-002	C

DO NOT SCALE THIS DOCUMENT.
ALL MEASUREMENTS MUST BE OBTAINED FROM STATED DIMENSIONS.
© 2008 UMA ENGINEERING LTD. ALL RIGHTS RESERVED.
THIS DOCUMENT IS PROTECTED BY COPYRIGHT LAW AND MAY NOT BE REPRODUCED IN ANY MANNER, OR FOR ANY PURPOSE EXCEPT BY THE WRITTEN PERMISSION OF UMA ENGINEERING LTD.