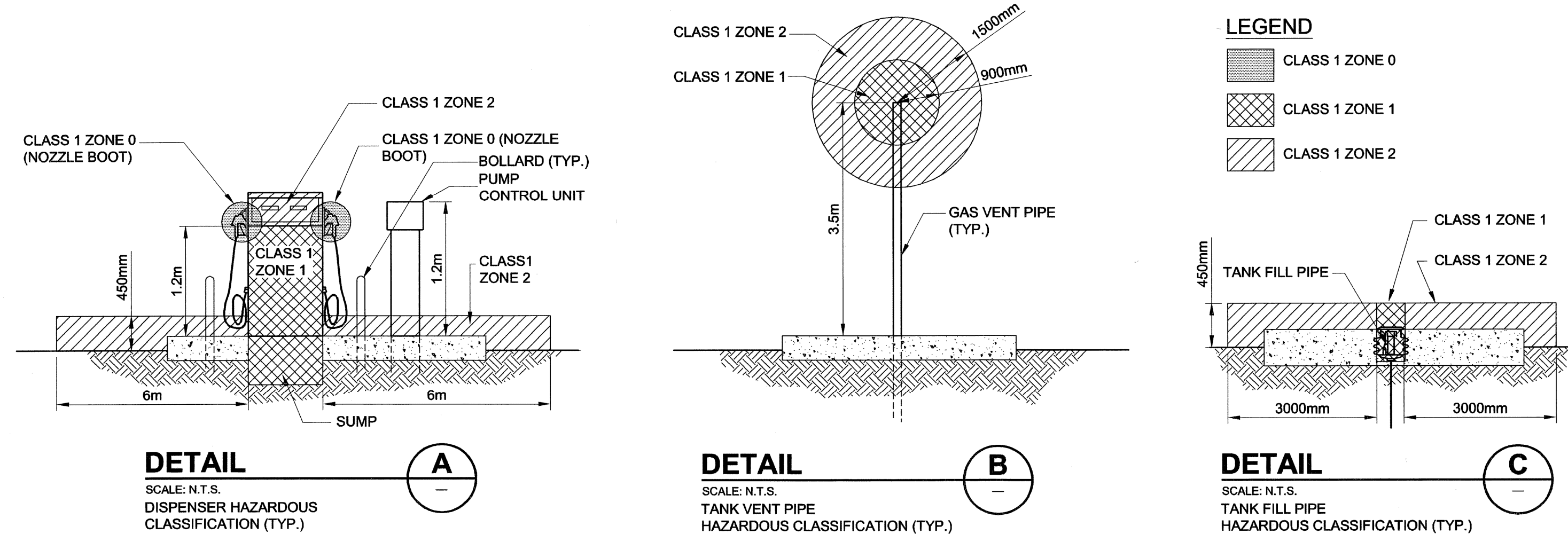


- LEGEND**
- 15A, 120V DUPLEX RECEPTACLE
 - COMBINATION TELEPHONE / DATA RECEPTACLE
 - STRIP FLUORESCENT LUMINAIRE SURFACE MOUNTED
 - MOTORIZED DAMPER
 - WALL MOUNTED WEATHERPROOF LUMINAIRE
 - SINGLE POLE LIGHT SWITCH
 - MANUAL MOTOR SWITCH
 - COMBINATION STARTER
 - PARKING PEDESTALS (EXISTING)

- NOTES**
- 5 kW, 208V, 3PH UNIT HEATER SHALL COME COMPLETE WITH MOUNTING BRACKET AND INTEGRAL THERMOSTAT, ACCEPTABLE MANUFACTURER: OUELLET MODEL: OASO5038, OR APPROVED EQUAL IN ACCORDANCE WITH B6.
 - VEEDER ROOT CONTROL PANEL, LEVEL SENSOR, LEAK DETECTION, DEDICATED SITE CONTROL AND MONITOR SUPPLIED BY OTHERS.
 - TYPE 'A' LUMINAIRES SHALL BE MOUNTED ON 6.1m TALL, 127mm SQUARE STEEL POLES WITH HAND HOLE AT 450mm FROM BASE PLATE. ACCEPTABLE MANUFACTURER: WEST COAST ENGINEERING MODEL 5SQPH20 OR APPROVED EQUAL IN ACCORDANCE WITH B6.
 - ELECTRICAL EQUIPMENT / WIRING INSTALLATION IN FUELING FACILITY SHALL BE IN ACCORDANCE WITH SECTIONS 18 (HAZARDOUS LOCATIONS) AND 20 (GASOLINE DISPENSING AND SERVICE STATION) OF CEC.
 - EMERGENCY SHUT-OFF PUSHBUTTON SHALL OPEN PUMP CONTACTOR TO DE-ENERGIZE FUELING FACILITY PUMPS. PUSHBUTTON SHALL BE NEMA 4 PUSH-PULL/TWIST, RED JUMBO MUSHROOM ILLUMINATED HEAD TYPE WITH ENGRAVED "EMERGENCY STOP" AND CLEAR HINGED WEATHERTIGHT COVER. SUPPLY 100mm X 150mm EXTERIOR LABEL "PUMP EMERGENCY SHUT-OFF".
 - TEMPERATURE CONTROL PANEL SUPPLIED BY MECHANICAL CONTRACTOR. THE 24 VOLT WIRING SHALL BE BY MECHANICAL CONTRACTOR, THE 120 VOLT SUPPLY CIRCUIT IS BY DIVISION 16 CONTRACTOR. SEE MECHANICAL DRAWING 01-M-0006 FOR CONTROL WIRING.
 - ALL 120 VOLT POWER WIRING SHALL BE MINIMUM #12 AWG.



DO NOT SCALE THIS DOCUMENT. ALL MEASUREMENTS MUST BE OBTAINED FROM STATED DIMENSIONS.

© 2008 UMA ENGINEERING LTD. ALL RIGHTS RESERVED. THIS DOCUMENT IS PROTECTED BY COPYRIGHT LAW AND MAY NOT BE REPRODUCED IN ANY MANNER, OR FOR ANY PURPOSE EXCEPT BY THE WRITTEN PERMISSION OF UMA ENGINEERING LTD.

PROFESSIONAL SEALS

D	08/05/06	Revised For Bid - With Owner Comments	ASL	ALS	PK				
C	08/04/21	Issued For Bid	SCK	ALS	LK	BM	BF	-	
B	08/04/07	Issued For Review	SCK	CC	LK	BM	BNF	-	
A	08/03/07	Issued For Review	SCK	CC	LK	BM	BNF	-	
I/R	YY/MM/DD	ISSUE/REVISION DESCRIPTION	DRN	CHK	DES	ENG	IDR	APP	

UMA | AECOM

City of Winnipeg
Construction of a New Fueling Facility
District 6 Public Works Yard, 1539 Waverley St.
Electrical
Fueling Facility and Electrical Kiosk

PROJECT NUMBER	DRAWING NUMBER	ISSUE/REVISION
0265-405-00	01-E-0002	D