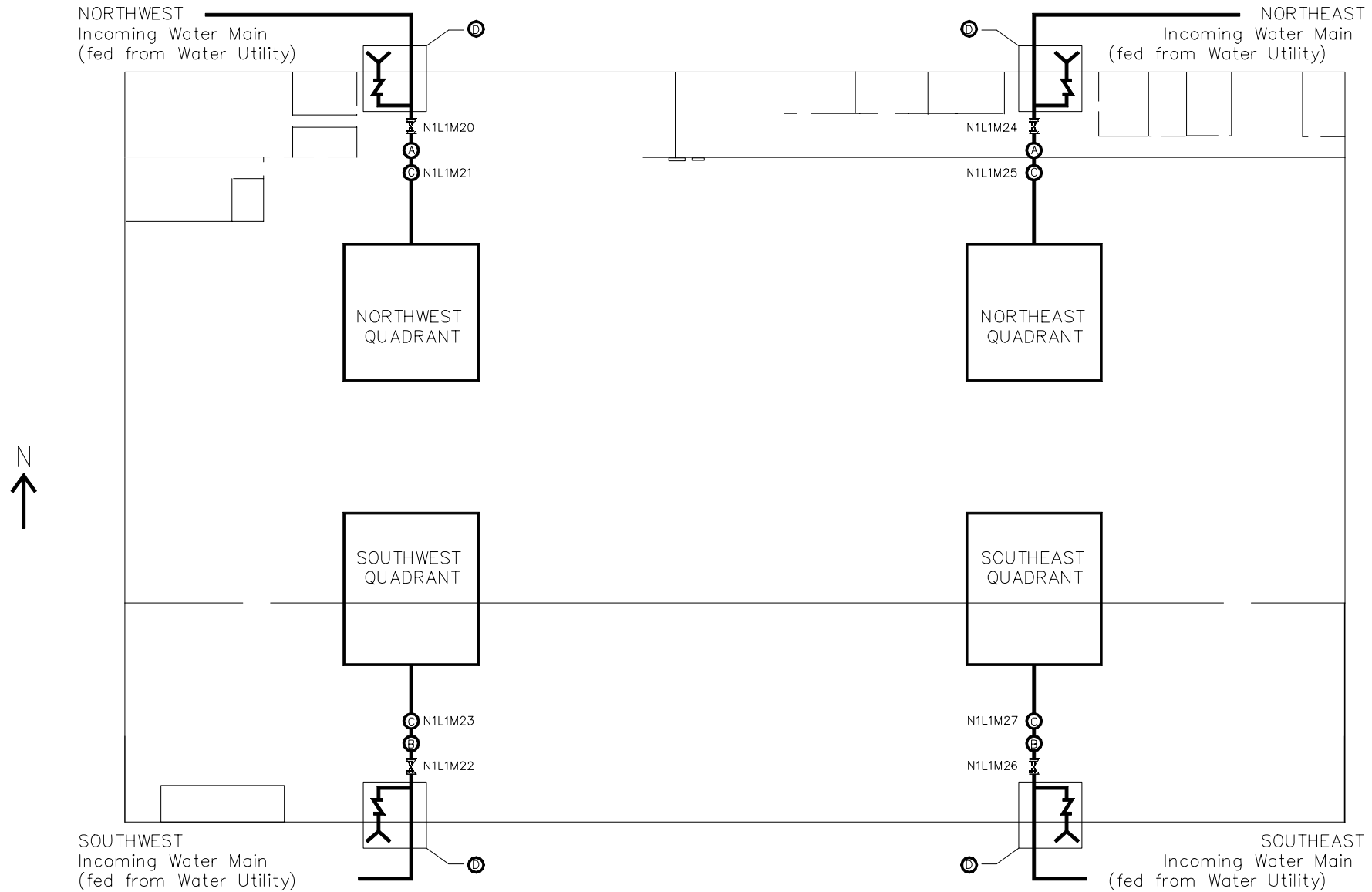


SYMBOL QUANT. DESCRIPTION

- (A) 2 SPRINKLER RISER - VIKING 6"
- (B) 2 SPRINKLER RISER - 6" AUTOMATIC ALARM VALVES
- (C) 4 FLOW SWITCH - PADDLE TYPE
- (D) 4 CHECK VALVE, FIRE DEPARTMENT CONNECTIONS AND INCOMING WATER MAIN

SYMBOL DESCRIPTION

- Z CHECK VALVE
- I ISOLATION VALVE
- SPRINKLER ZONE SPRINKLER ZONE - Identified by boxed in text, which describes location in the building.
- Y FIRE DEPARTMENT CONNECTIONS



NOTE: LABELS (eg. like N1L1M20 or N2L1M21) NEXT TO EQUIPMENT ARE MODULE ADDRESSES FOR THE FACILITIES FIRE ALARM SYSTEM.

Carruthers Avenue

CARRUTHERS GARAGE  
SPRINKLER SYSTEM -  
BUILDING -  
SINGLE LINE DIAGRAM

REVISION 0
REF NO NG-028
DRAWING NO. NG SPR 02