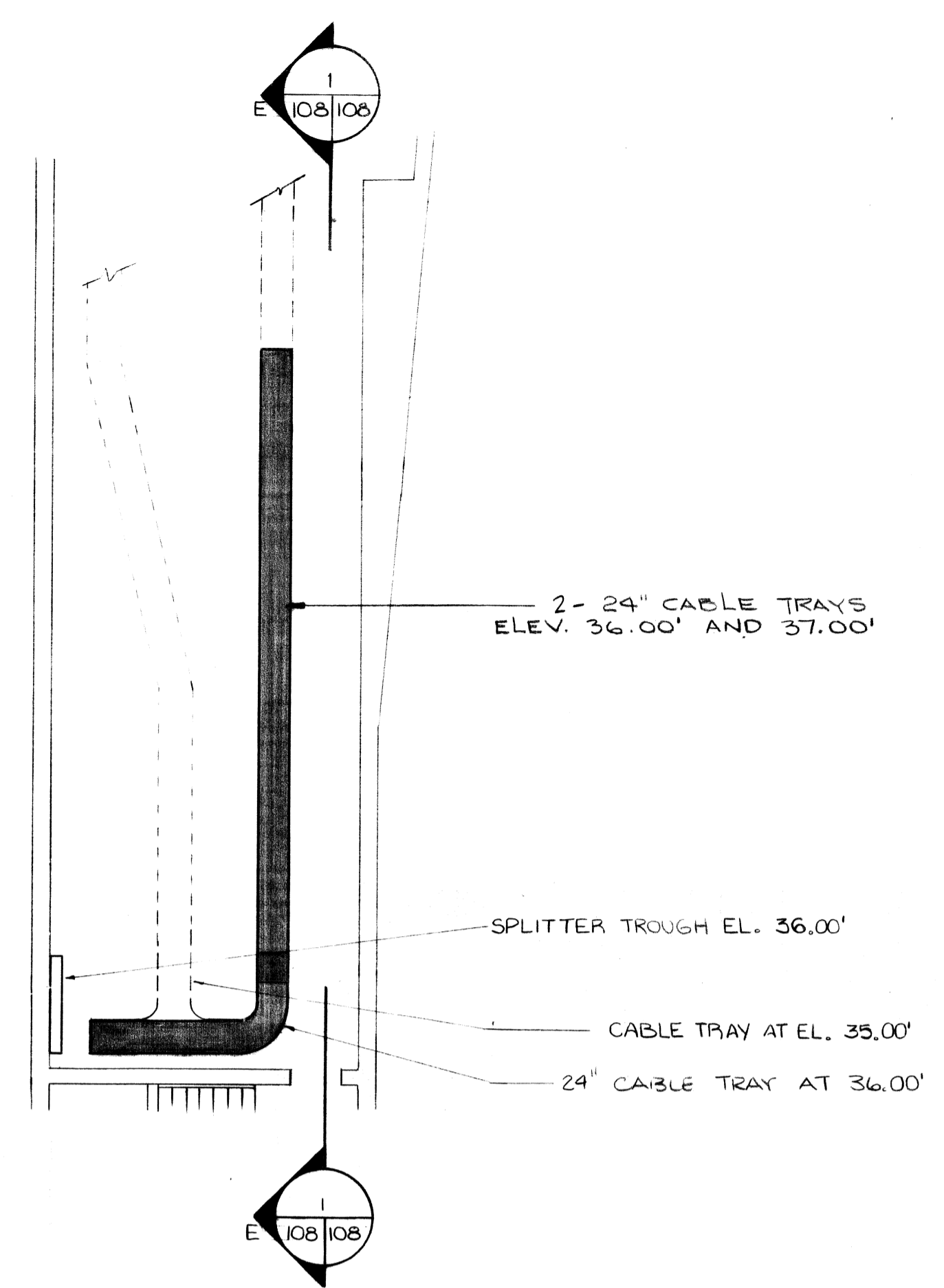
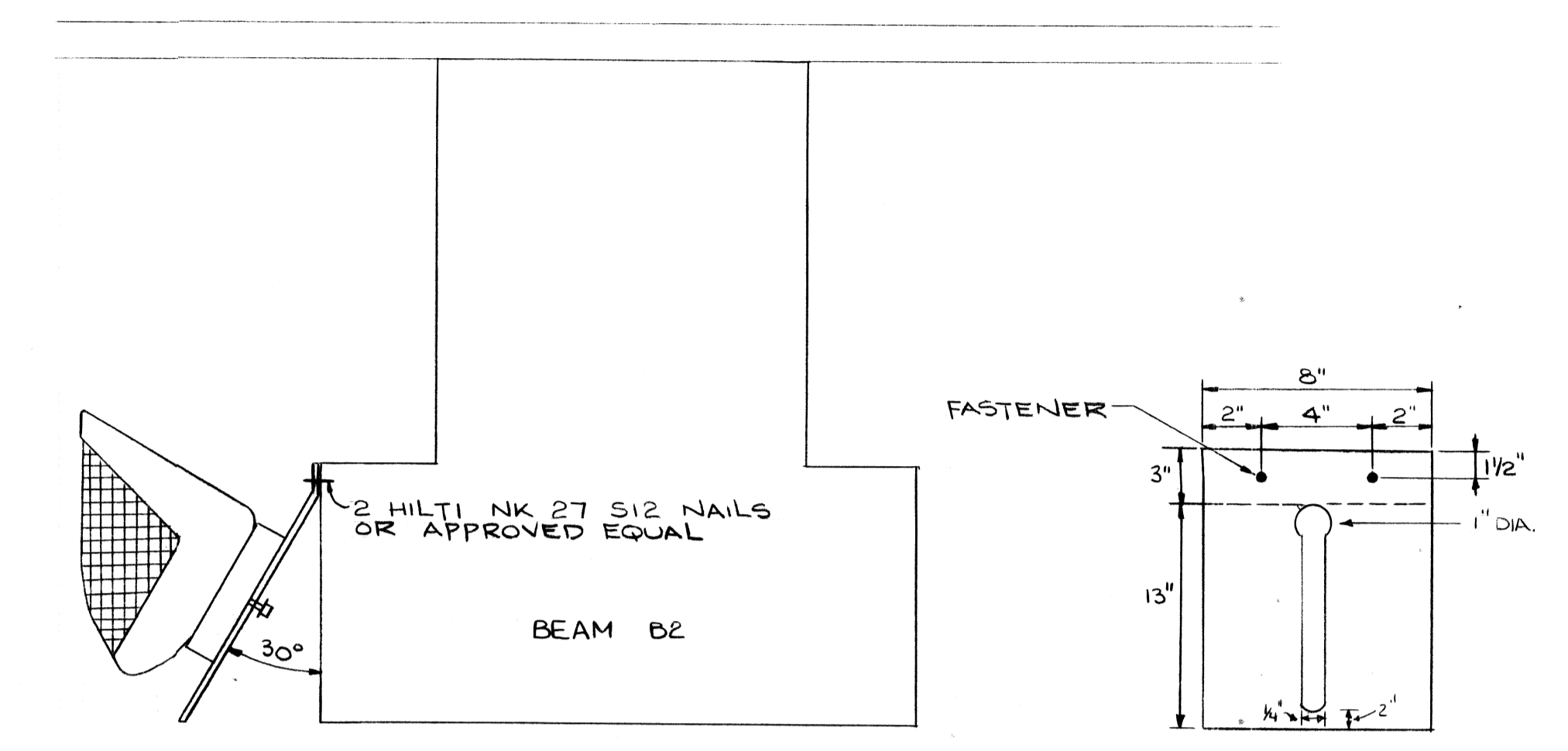


MAIN ELECTRICAL ROOM IN GRIT REMOVAL BUILDING
SCALE 1/8" = 1'-0"

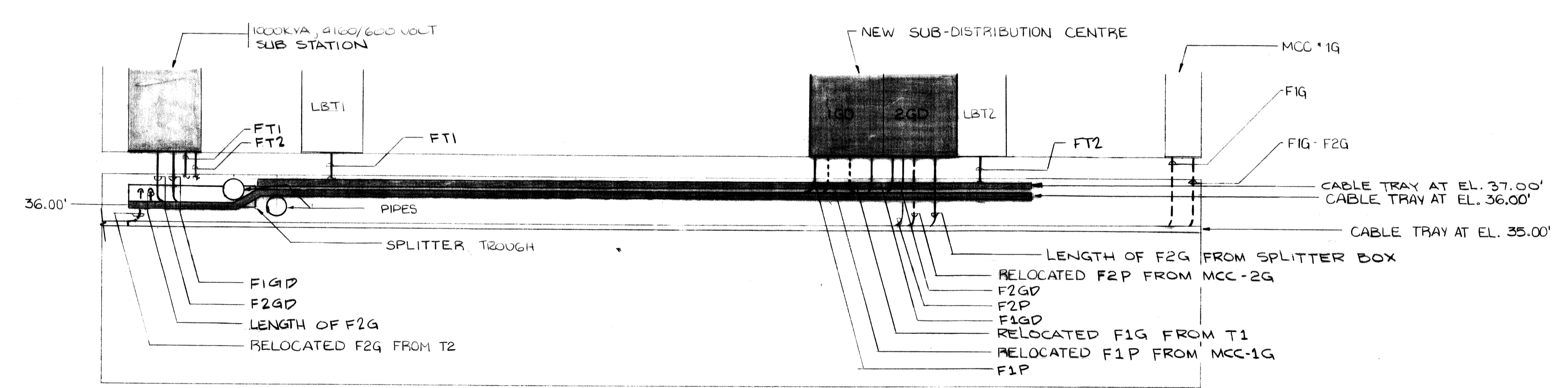


WEST END CABLE TRAY IN GRIT REMOVAL BUILDING
SCALE 1/8" = 1'-0"



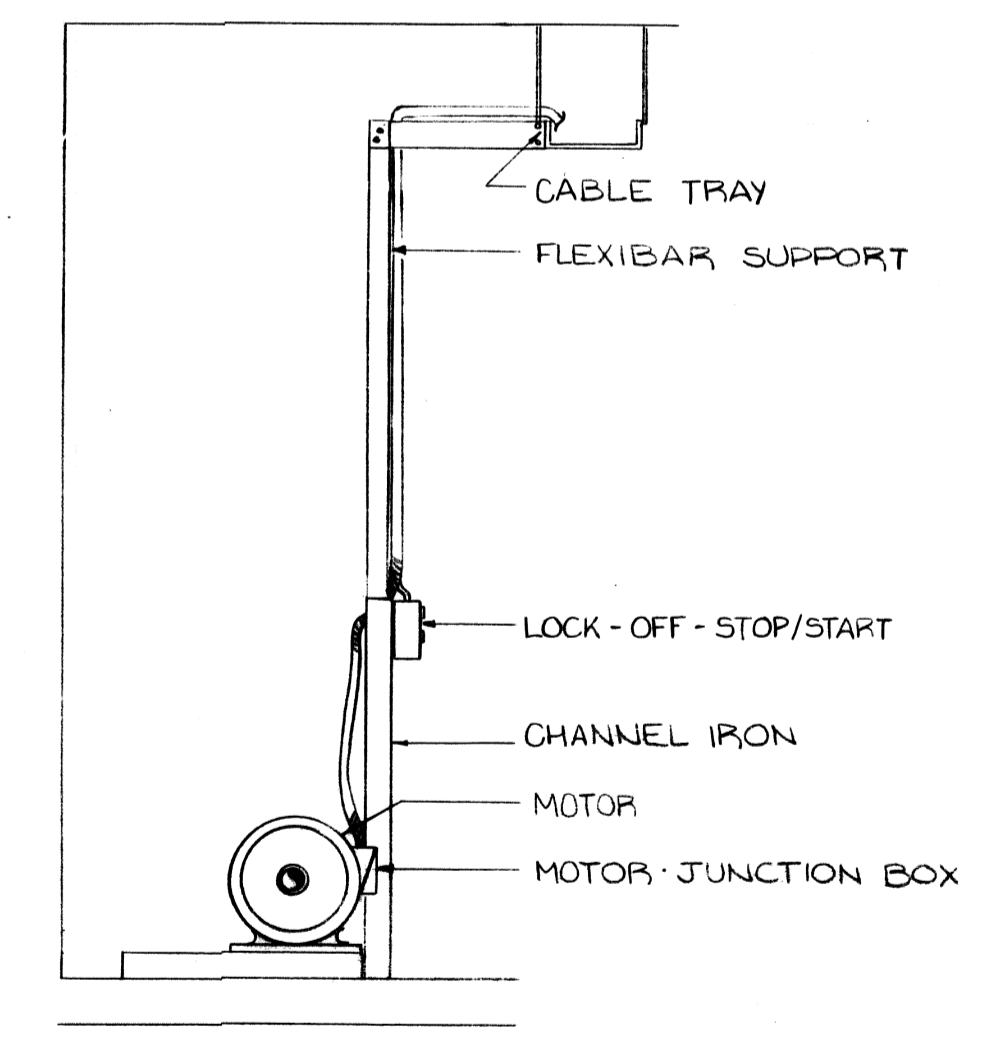
MOUNTING DETAIL OF TYPE 1 FIXTURE FACE VIEW - MTG. BRACKET
SCALE 1/2" = 1'-0"

NOTE:
#12 GAUGE 304 STAINLESS STEEL MTG. BRACKET

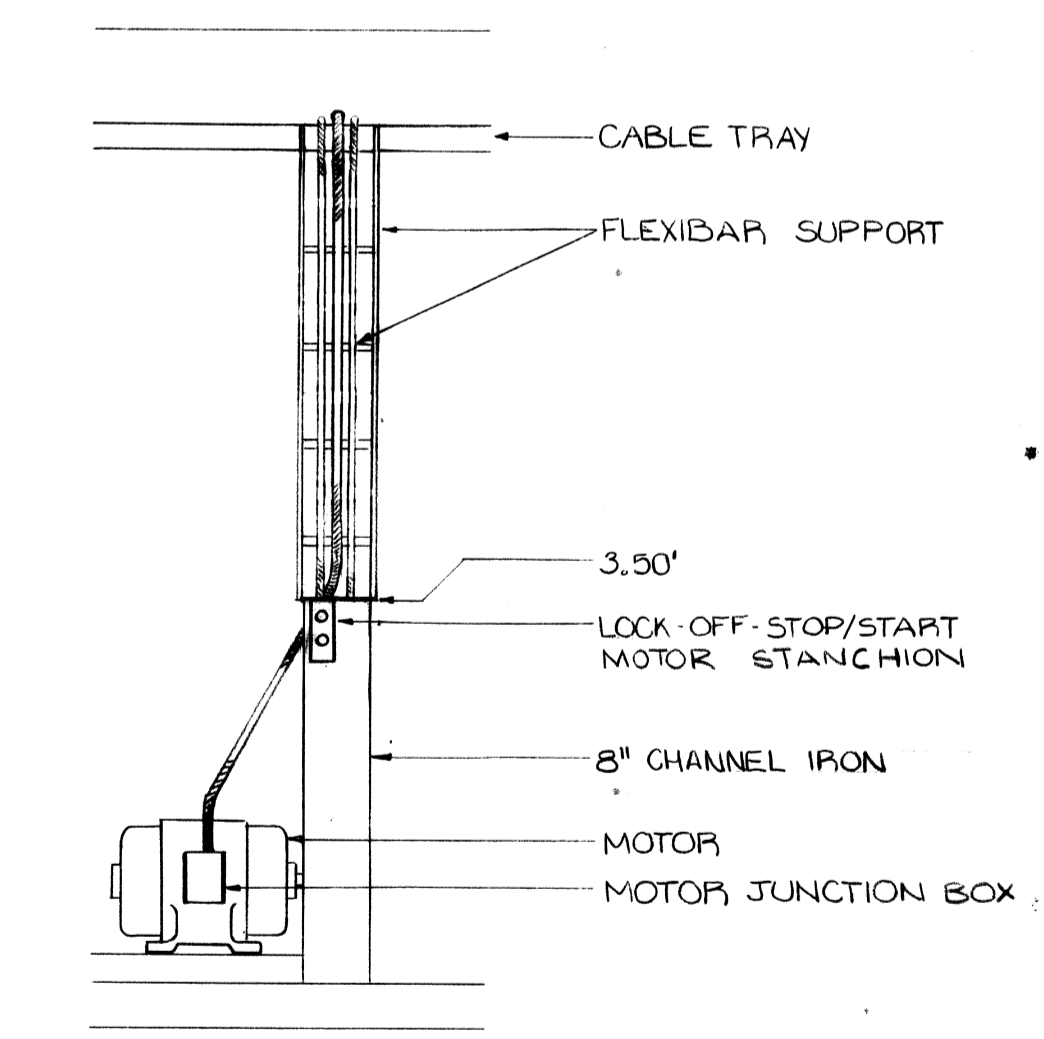


SECTION
SCALE 1/8" = 1'-0"

NOTE:
--- DESIGNATES EXISTING CABLES
— DESIGNATES NEW CABLES



DETAIL
NOT TO SCALE



DETAIL
NOT TO SCALE

MICROFILMED MAR 31 1980

NO.	DATE	DESCRIPTION
0	AS-BUILTS	ISSUED FOR APPROVAL
1	REV.	DESCRIPTION



W.L. WARDROP & ASSOCIATES LTD. JAMES F. MACLAREN LIMITED ENGINEERING CONSULTANTS	DRAWN BY: H.F.M.L.	DESIGNED BY: LF
CHECKED BY: D.W.R.	APPROVED BY: <i>[Signature]</i>	DATE: MAY 15/78

THE CITY OF WINNIPEG
WORKS & OPERATIONS DEPARTMENT
WATERWORKS, WASTE & DISPOSAL DIVISION
NORTH END WATER POLLUTION CONTROL CENTRE
PRIMARY CLARIFIER ADDITION
ELECTRICAL-INSTALLATION DETAILS

SCALE: AS SHOWN
DATE: MAY, 1978
CONSULTANT DRAWING NO. 76012-05-E106
CITY DRAWING NO. NEP-973

NR 11149