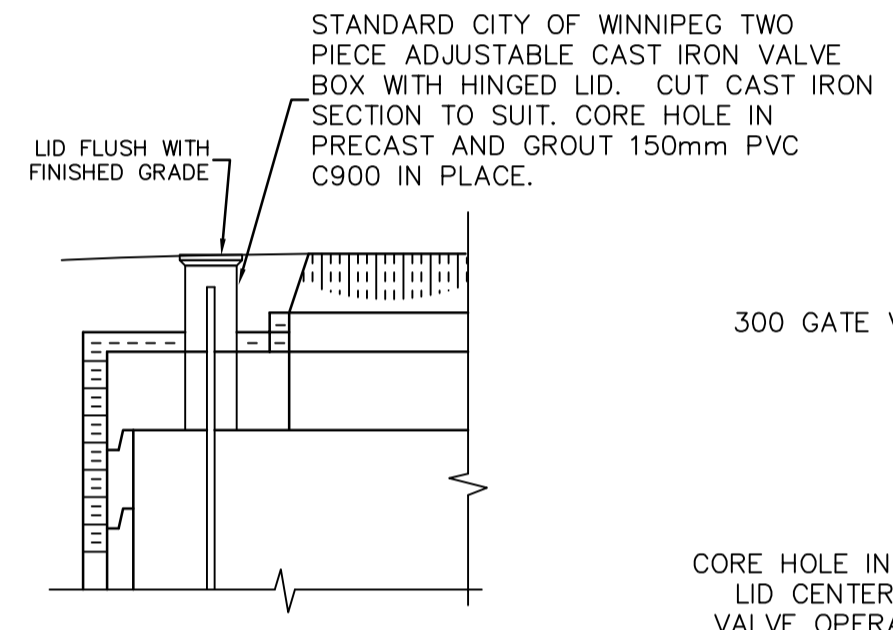
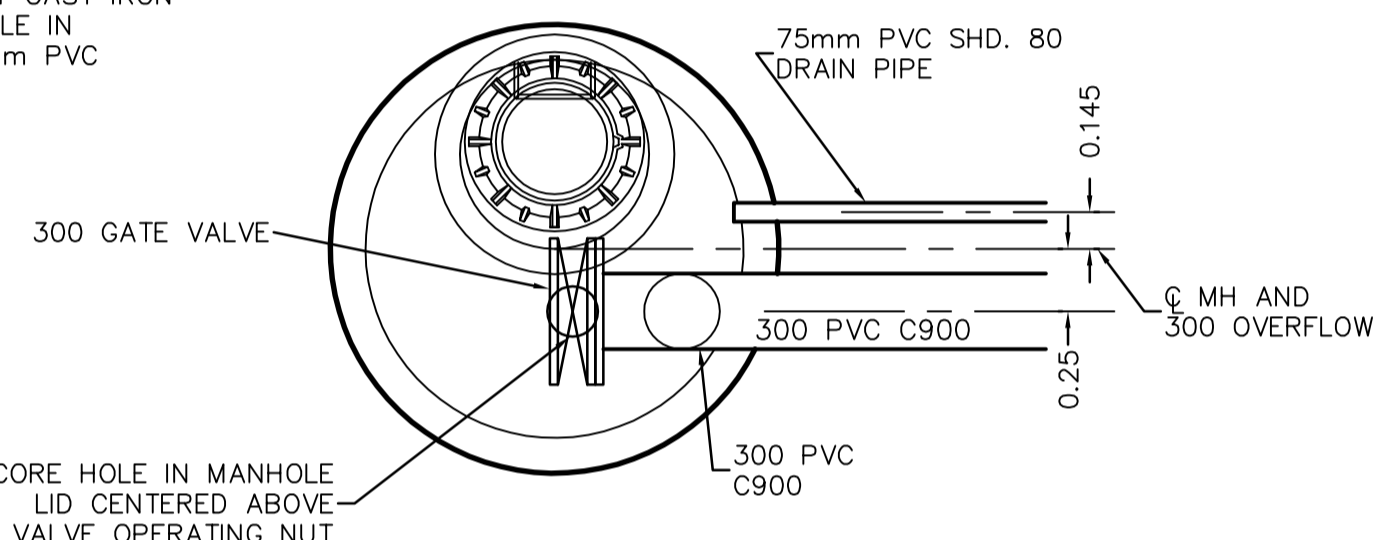


- NOTES:
 1. SUITABLE FOR PIPES 250 TO 300.
 2. PROVIDE SS 316 PARTS AND HARDWARE.

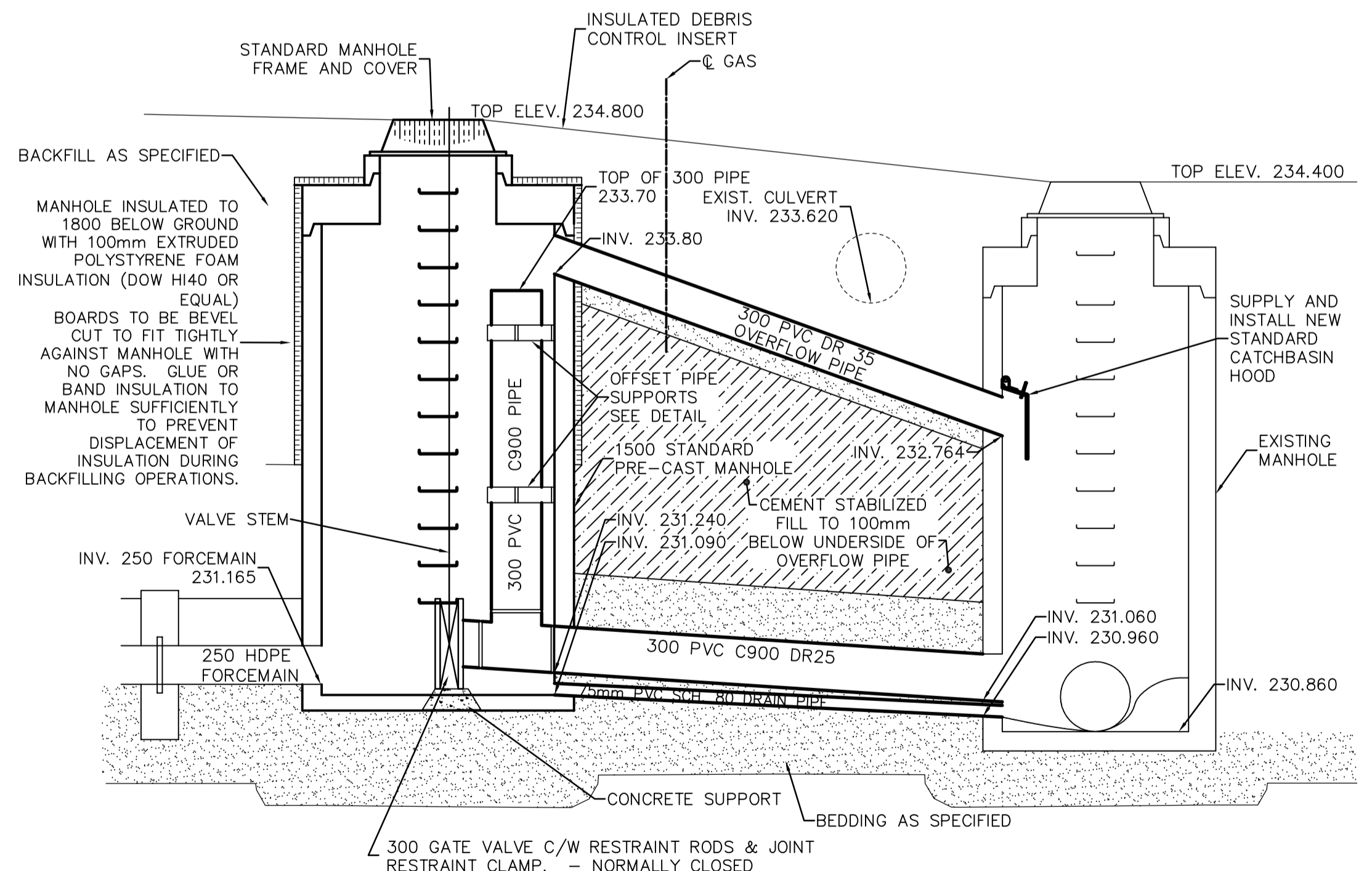
OFFSET PIPE SUPPORTS
SCALE NTS



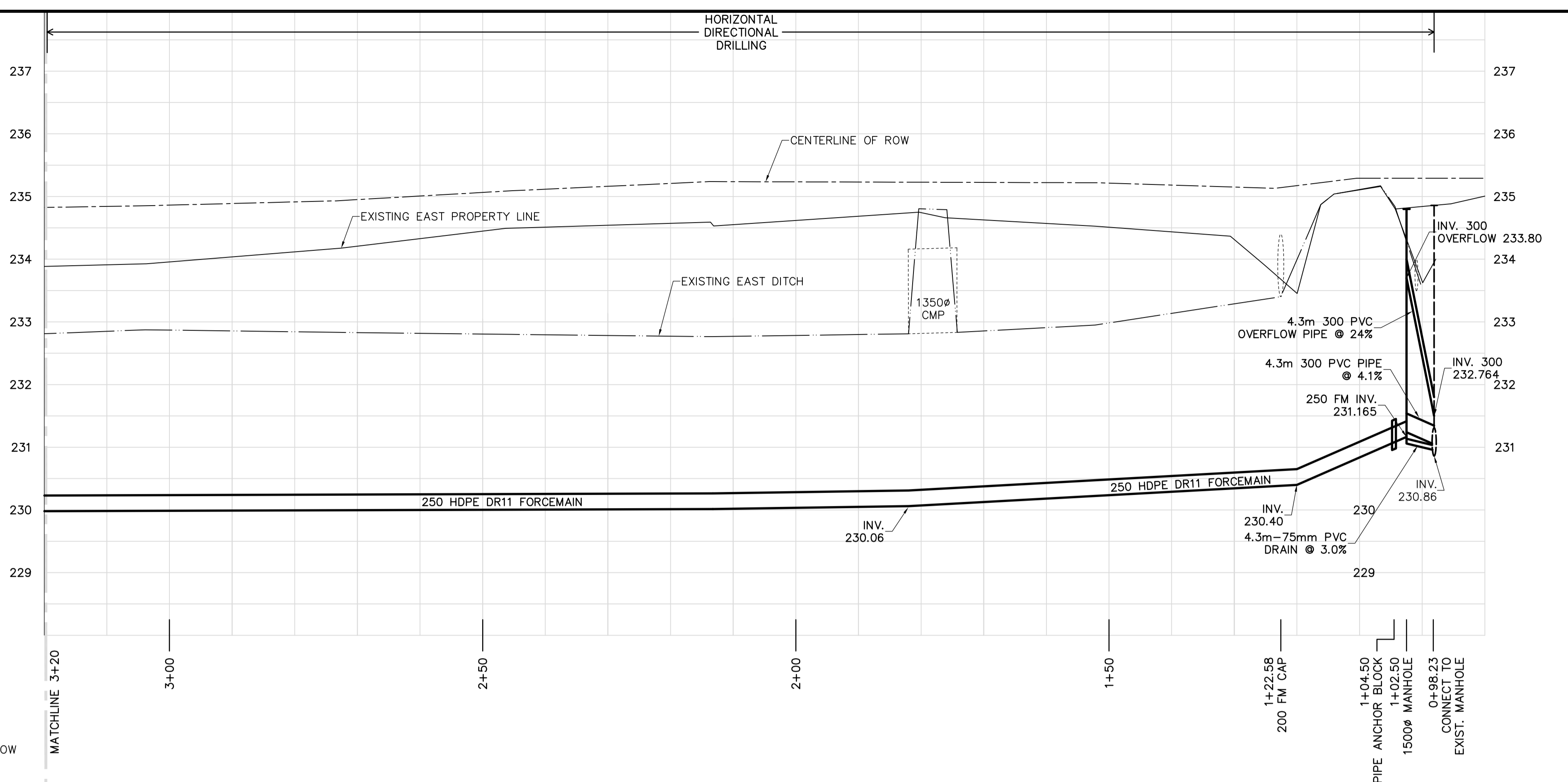
VALVE STEM DETAIL
SCALE 1:25



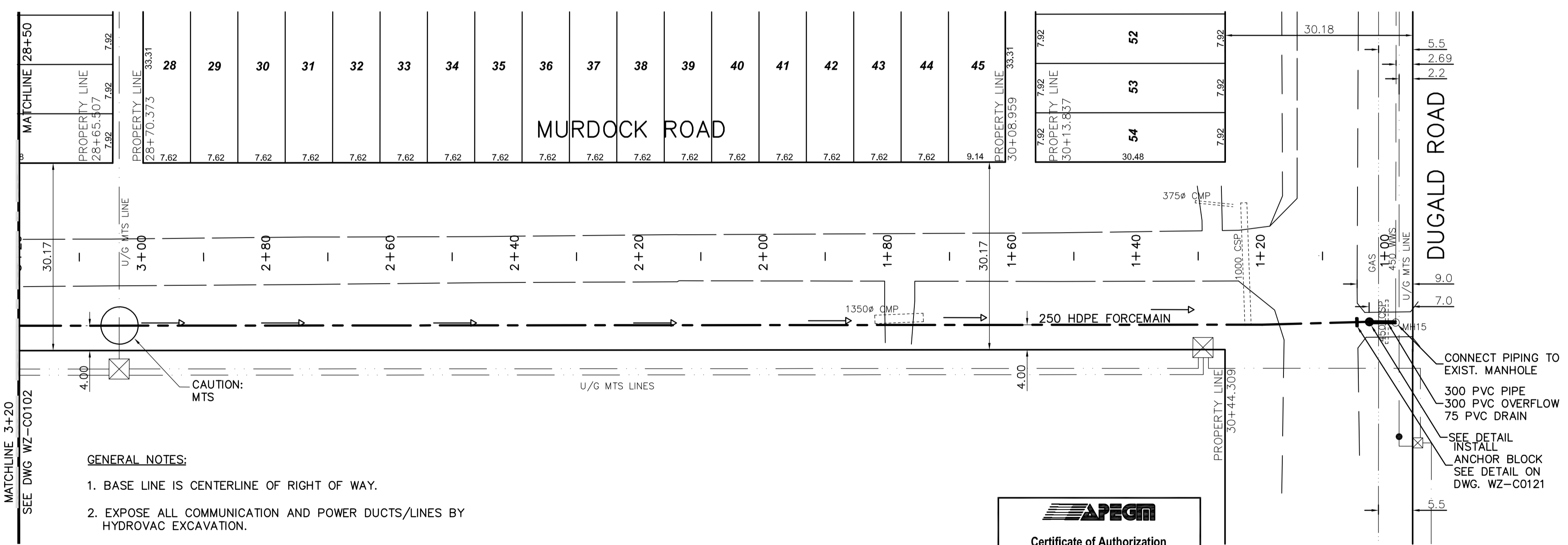
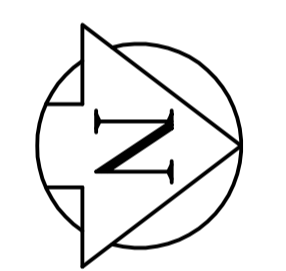
PLAN VIEW
SCALE 1:25



MANHOLE AT STA. 1+02.5
SCALE 1:25



BENCHMARK NOTES:
 DRAWING COORDINATES ARE UTM NAD83 - SCALE FACTOR 0.99983
 B.M. No. NORTHING EASTING ELEVATION
 PILE 136 5523873.734 647764.406 236.242
 PILE 133 5523256.606 647782.387 236.056



- GENERAL NOTES:**
1. BASE LINE IS CENTERLINE OF RIGHT OF WAY.
 2. EXPOSE ALL COMMUNICATION AND POWER DUCTS/LINES BY HYDROVAC EXCAVATION.
 3. INSTALL ALL PIPING UTILIZING TRENCHLESS INSTALLATION METHODS UNLESS OTHERWISE APPROVED OR DIRECTED BY THE CONTRACT ADMINISTRATOR.



150 mm W.M.	WATERMAIN	150 mm W.M.	HYDRO M.T.S.	---	---	---	---	---	---
300mm L.D.S.	LAND DRAINAGE SEWER	300mm L.D.S.	CONCRETE ASPHALT	---	---	---	---	---	---
250mm W.W.S.	WASTEWATER SEWER	250mm W.W.S.	PROPERTY LINE	---	---	---	---	---	---
○	MANHOLE	⊕	SURVEY BAR	---	---	---	---	---	---
□	CATCH BASIN	232.750	ELEVATION	---	---	---	---	---	---
▽	CURB INLET	300mm W.W.S.	TREE	---	---	---	---	---	---
+	JUNCTIONS	300mm W.W.S.	ANODE	---	---	---	---	---	---
▭	CULVERT	---	CONCRETE SIDEWALK	---	---	---	---	---	---
---	GAS	---	FENCE	---	---	---	---	---	---
---	EXISTING	---	---	---	---	---	---	---	---
---	LEGEND - PLAN	---	---	---	---	---	---	---	---
---	PROPOSED	---	---	---	---	---	---	---	---
---	EXISTING	---	---	---	---	---	---	---	---
---	LEGEND - PLAN	---	---	---	---	---	---	---	---
---	PROPOSED	---	---	---	---	---	---	---	---

LOCATION APPROVED UNDERGROUND STRUCTURES

SUPV. U/G STRUCTURES DATE COMMITTEE

NOTE:
 LOCATION OF UNDERGROUND STRUCTURES AS SHOWN ARE BASED ON THE BEST INFORMATION AVAILABLE BUT NO GUARANTEE IS GIVEN THAT ALL EXISTING UTILITIES ARE SHOWN OR THAT THE GIVEN LOCATIONS ARE EXACT. CONFIRMATION OF EXISTENCE AND EXACT LOCATION OF ALL SERVICES MUST BE OBTAINED FROM THE INDIVIDUAL UTILITIES BEFORE PROCEEDING WITH CONSTRUCTION.

B.M. ELEV.					
00	ISSUED FOR TENDER	07/07/30	DA		
NO.	REVISIONS	DATE	BY		

CH2MHILL
 Frederickson Cooper ARCHITECTS

EarthTech
 A Tyco International Ltd. Company

DESIGNED BY: KWF CHECKED BY: GK
 DRAWN BY: MAF APPROVED BY: AHL
 SCALE: HORZ. 1:500 RELEASED FOR CONSTRUCTION BY: R. SOROKOWSKI
 VERT. 1:50



THE CITY OF WINNIPEG
 WATER AND WASTE DEPARTMENT
 ENGINEERING DIVISION

Winnipeg

WATER TREATMENT PLANT
 SUPPLY AND INSTALLATION
 OF FORCEMAIN

CIVIL
 MURDOCK ROAD
 STA. 3+20 TO DUGALD RD.

CITY FILE NUMBER
 SHEET 2 OF 23
 CITY DRAWING NUMBER
 1-060Z-C-C010-001-00D