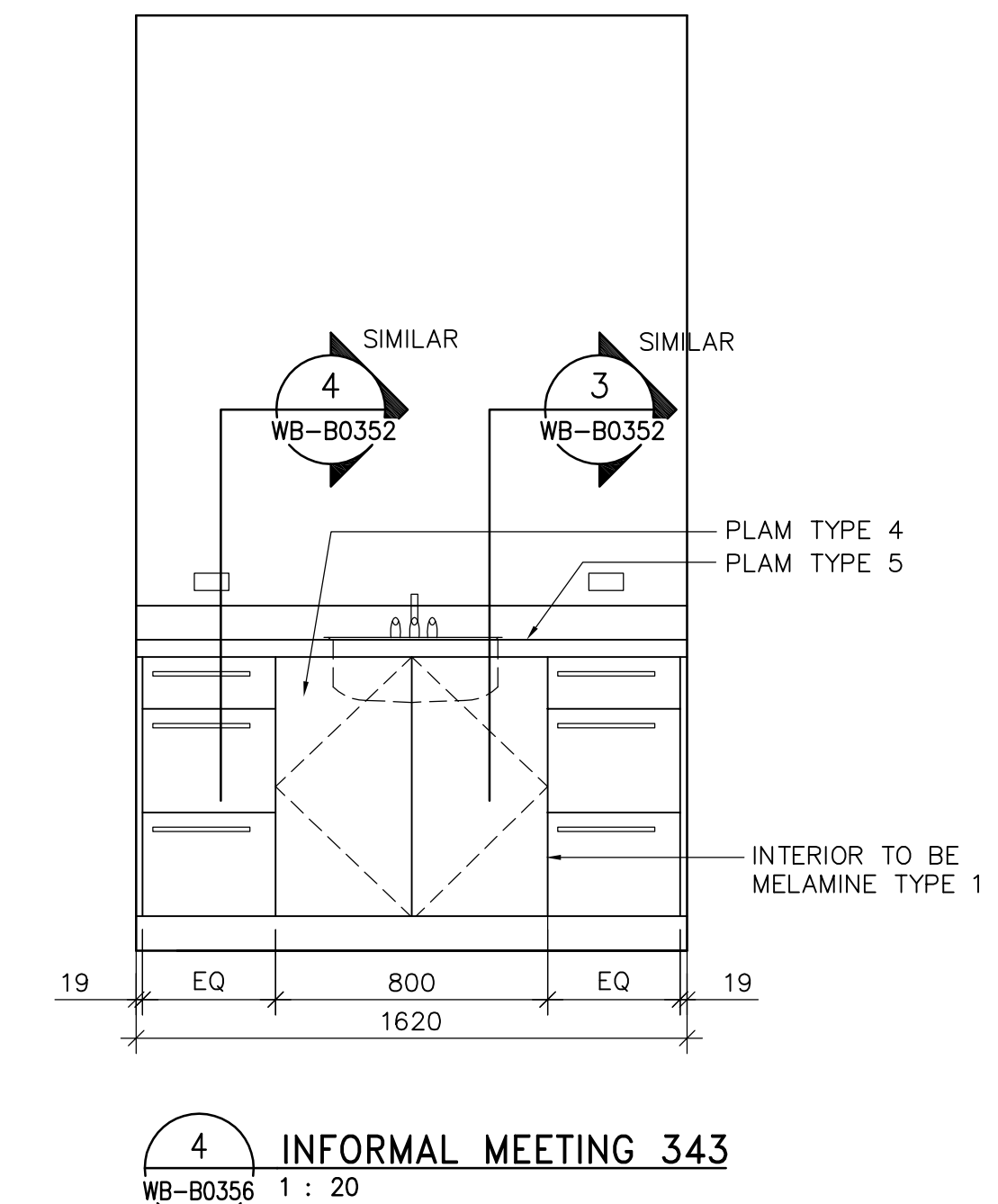
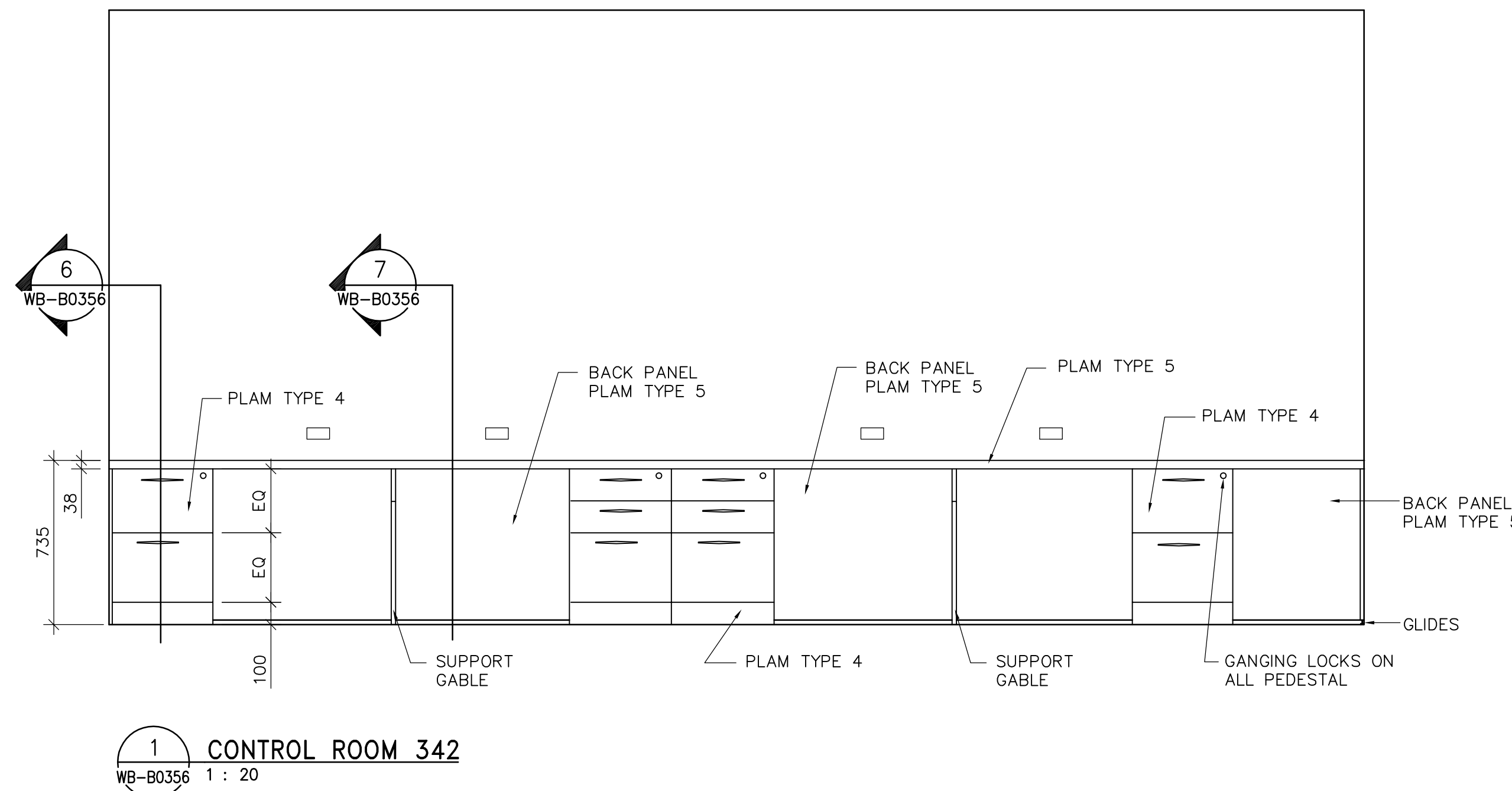
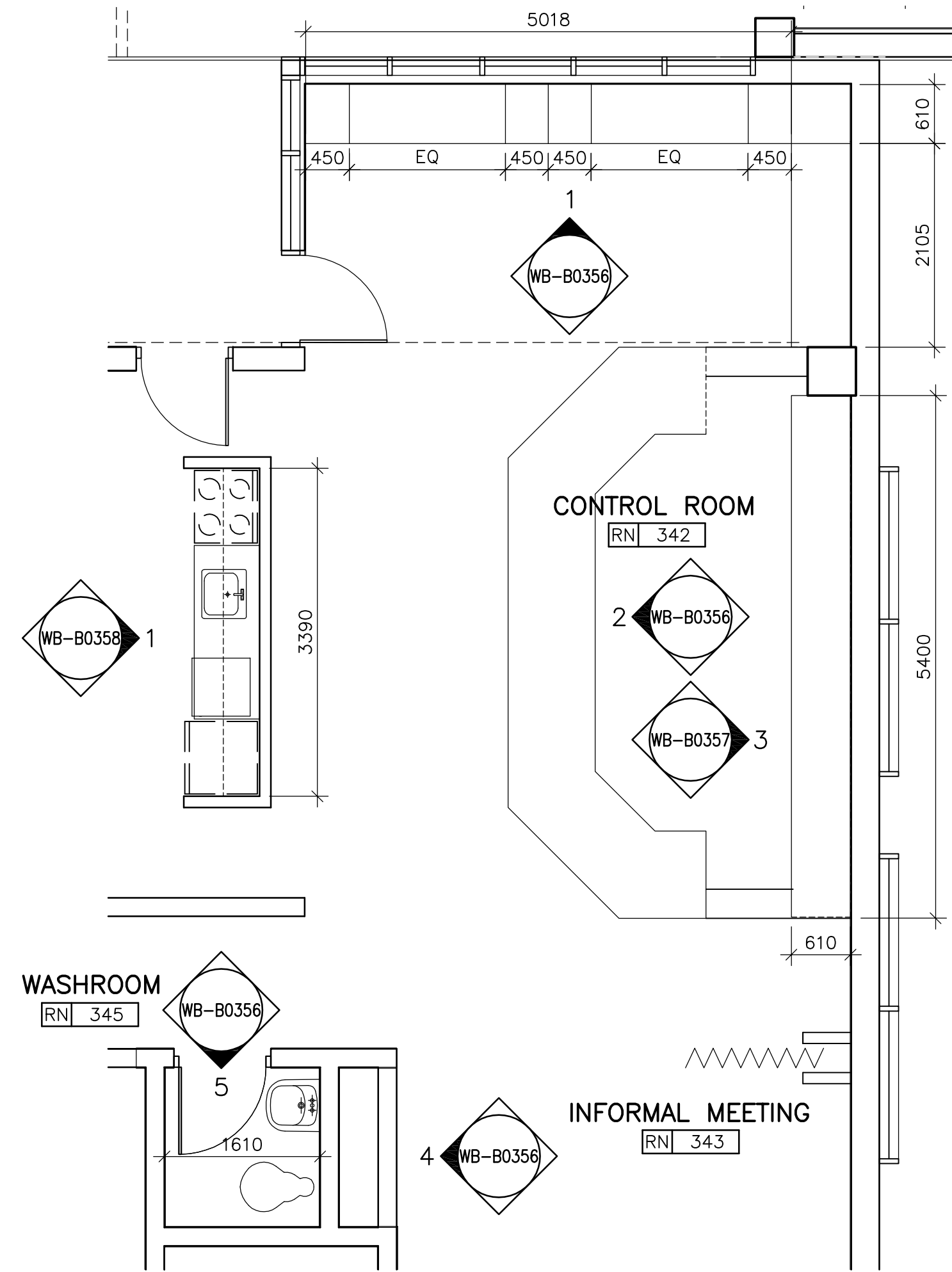
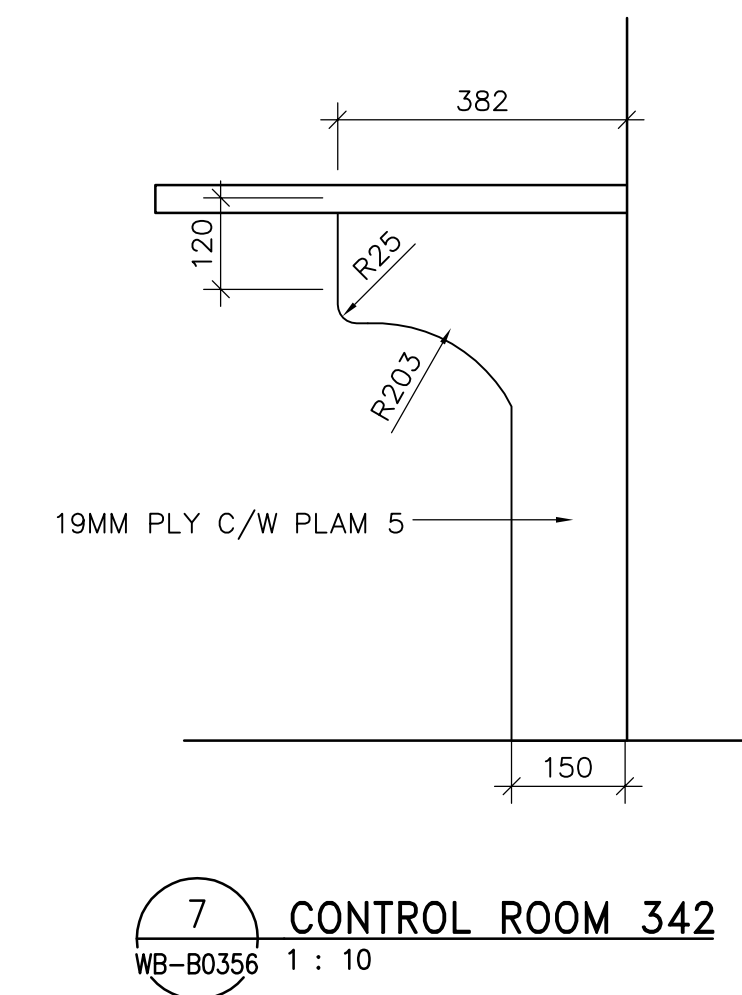
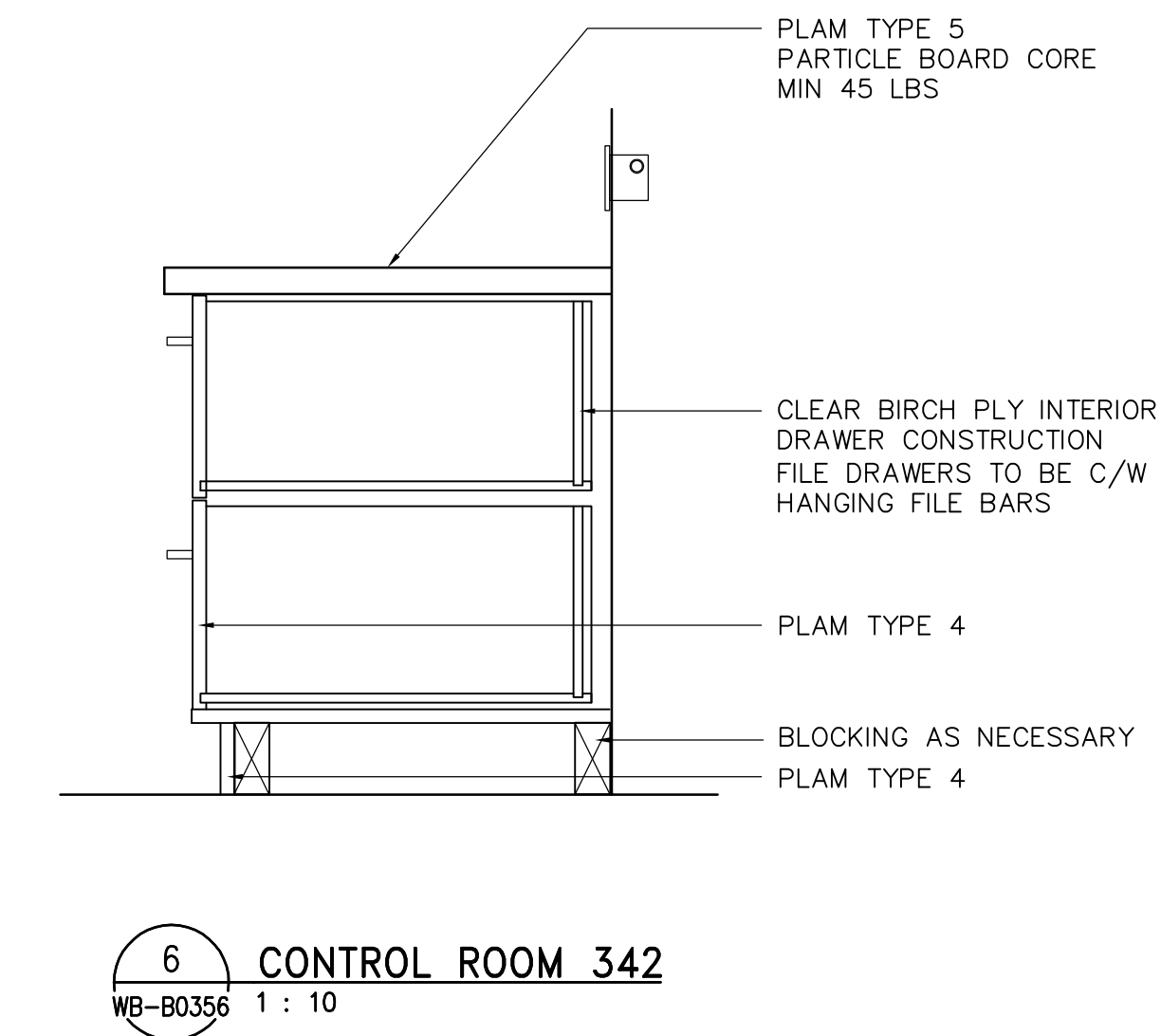
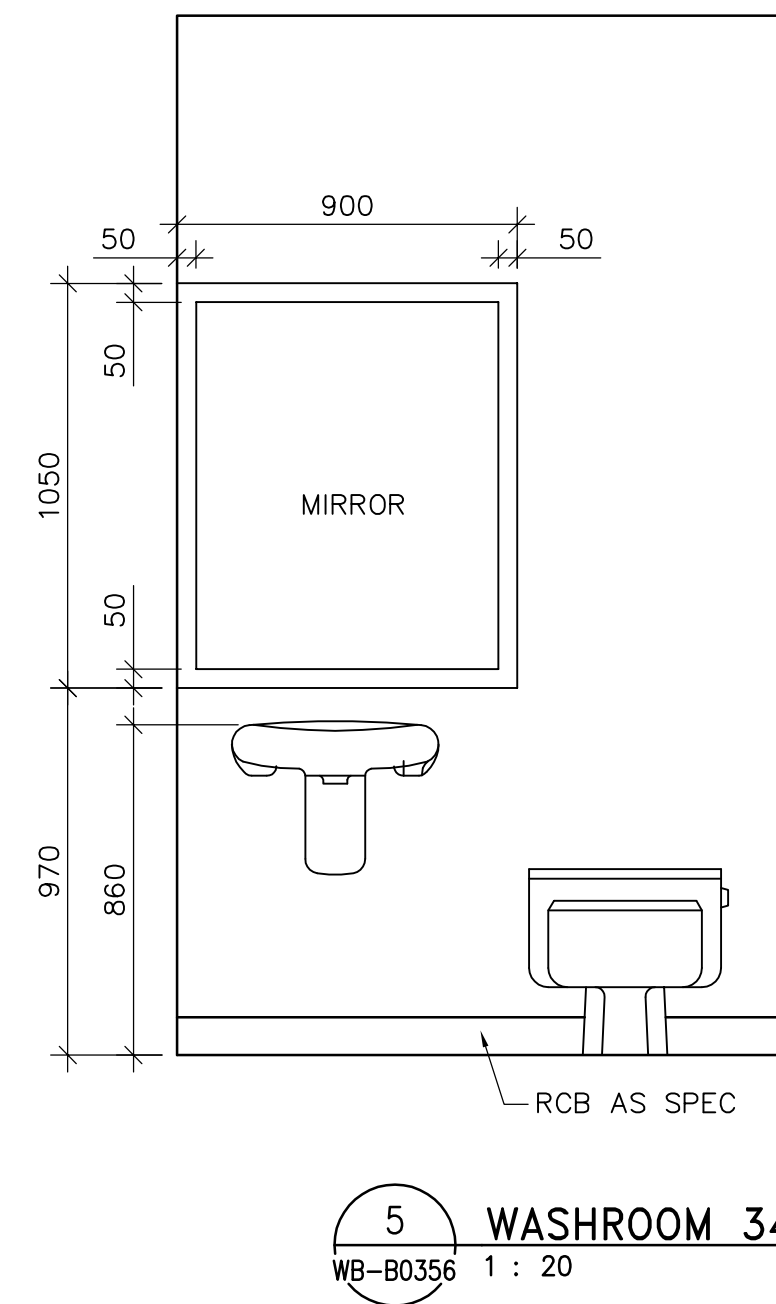
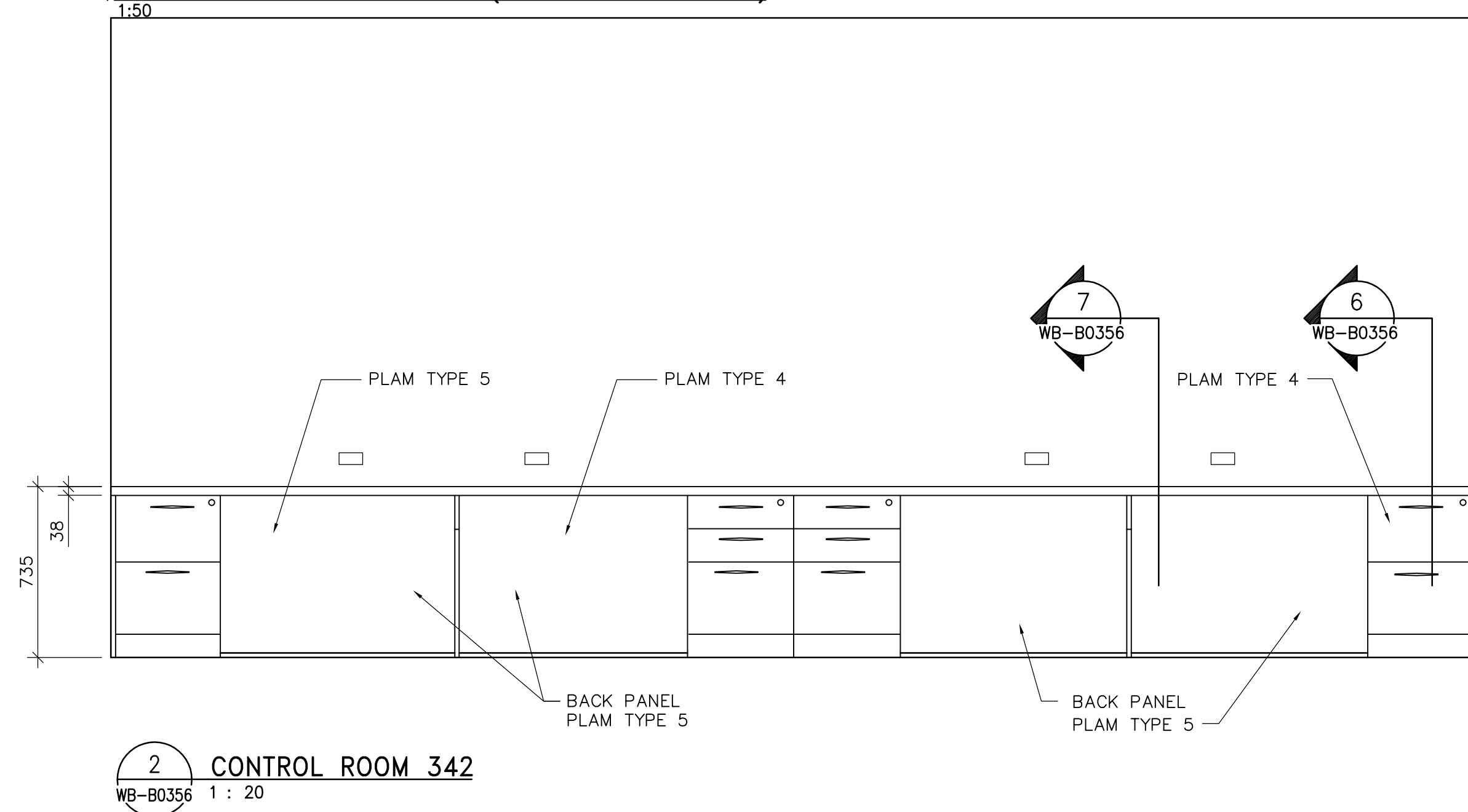


NOTE: COUNTER TOPS TO BE SIZED ACCORDING TO TOTAL DIMENSION OF TOP USE MAX SIZES OF PLAM



PARTIAL PLAN - MILLWORK (THIRD FLOOR LEVEL)



B.M. ELEV.			
DESIGNED BY	MG	CHECKED BY	BJS
DRAWN BY	MG	APPROVED BY	AHL
SCALE:	AS NOTED	RELEASED FOR CONSTRUCTION BY:	R. SOROKOWSKI
ISSUED FOR TENDER	07/06/05	DATE	2006/08/16
NO. REVISIONS	DATE	BY	DATE

CH2MHILL
Frederickson Cooper ARCHITECTS

EarthTech
A Tyco International Ltd. Company

ENGINEER'S SEAL
ORIGINAL SIGNED BY
NEIL COOPER
2007/06/5
CONSULTANT DRAWING NO.
WB-B0356

THE CITY OF WINNIPEG
WATER AND WASTE DEPARTMENT
ENGINEERING DIVISION

WATER TREATMENT PLANT
MAIN BUILDING
OFFICE AND PLANT INTERIOR FINISHES

ARCHITECTURAL
MILLWORK PLANS, ELEVATIONS, AND SECTIONS

CITY FILE NUMBER
SHEET OF
CITY DRAWING NUMBER
1-0601B-A-B0356-001-00D