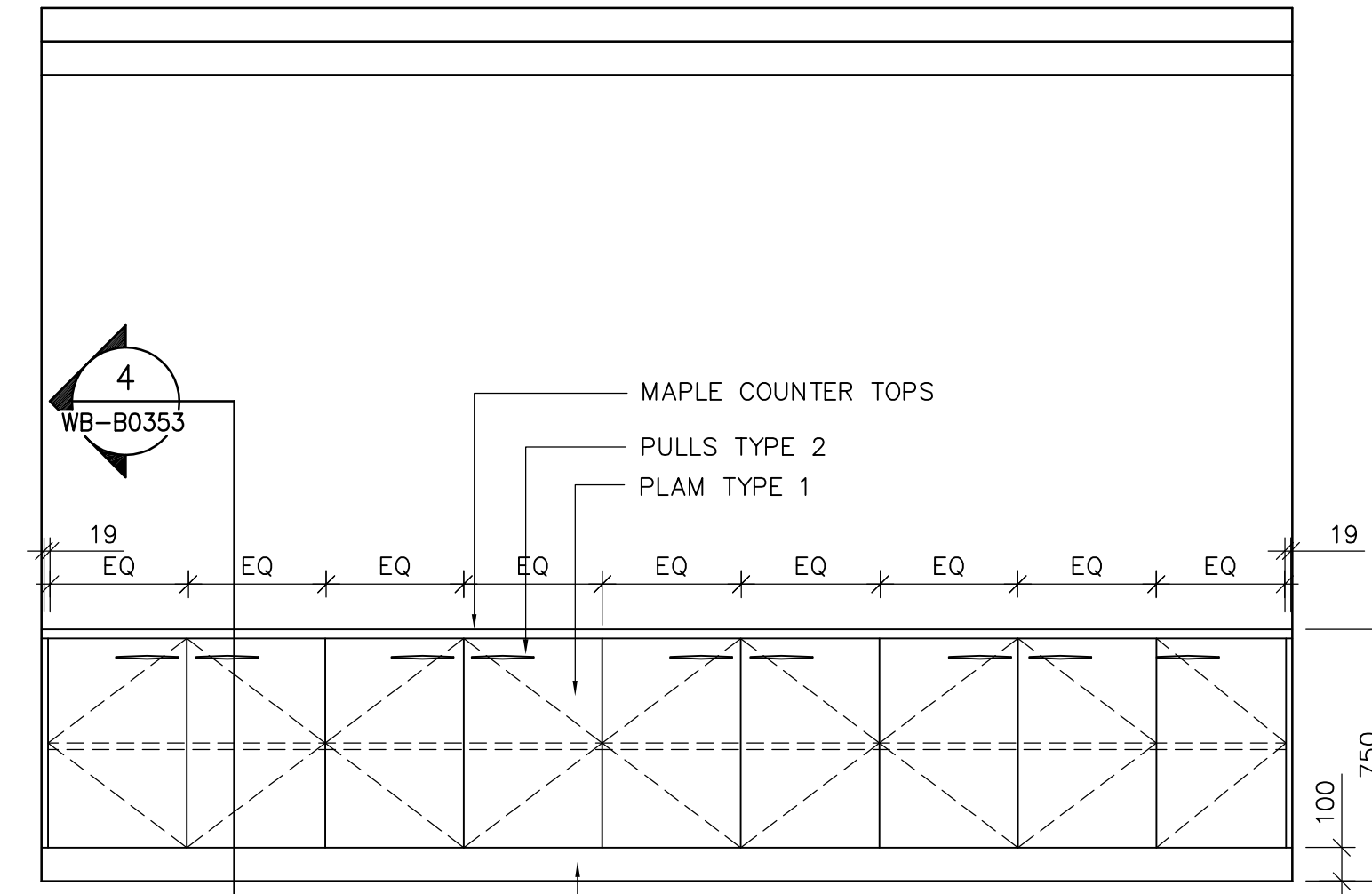
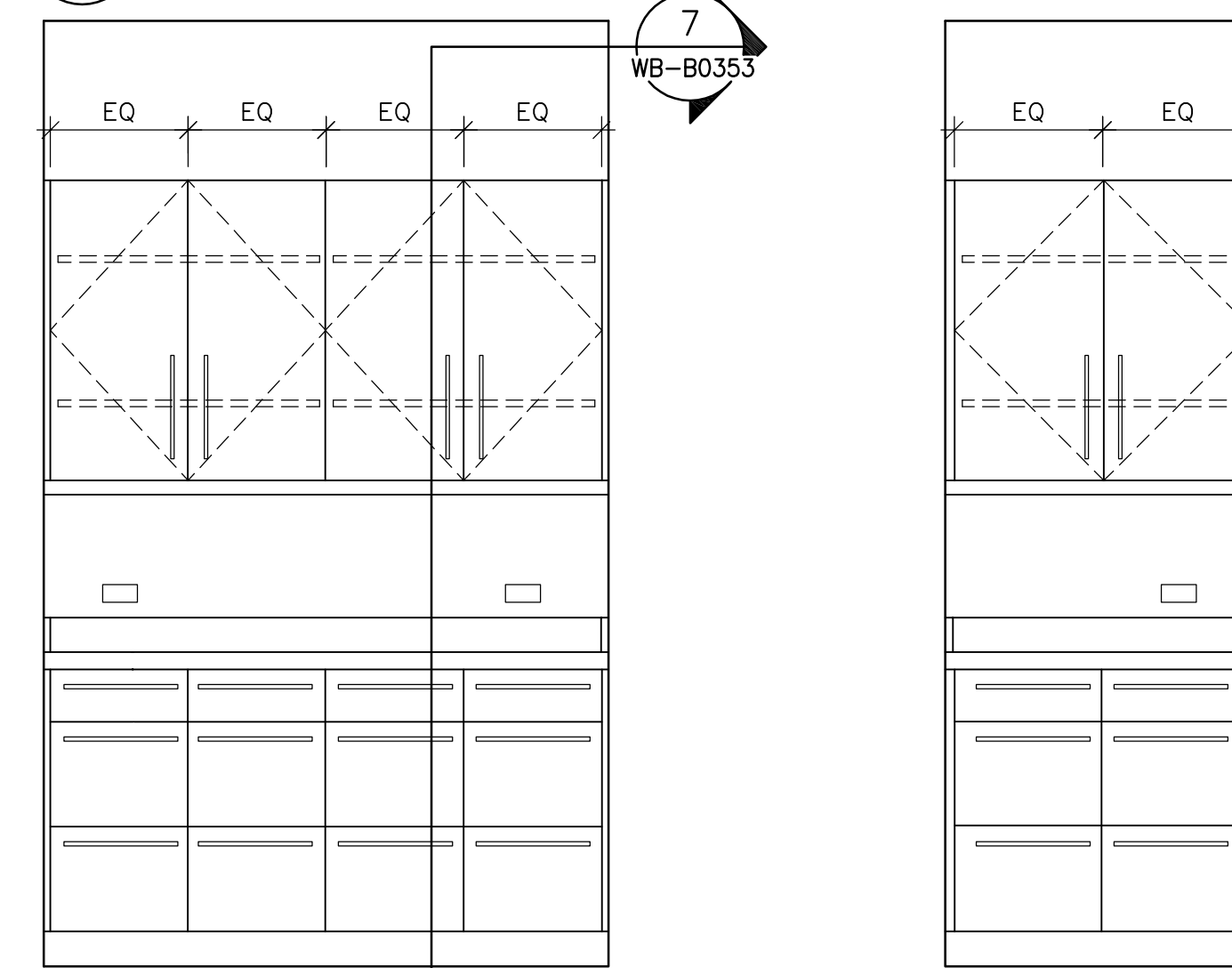


1 PARTIAL PLAN-MILLWORK (SECOND FLOOR LEVEL)
WB-B0129 1: 50

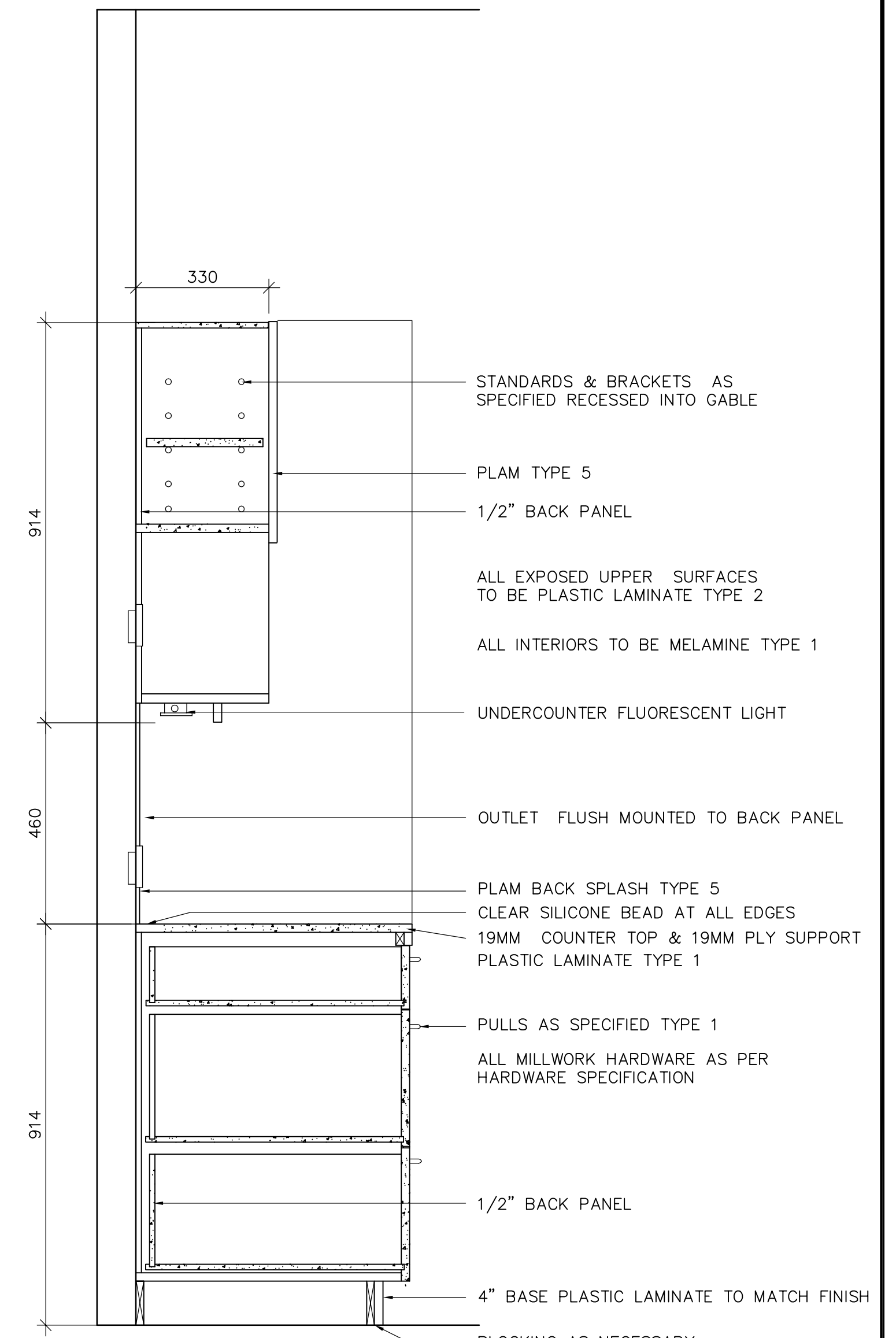


8/9 CONFERENCE ROOM 2 TYP ELEVATIONS
WB-B0353 1: 20

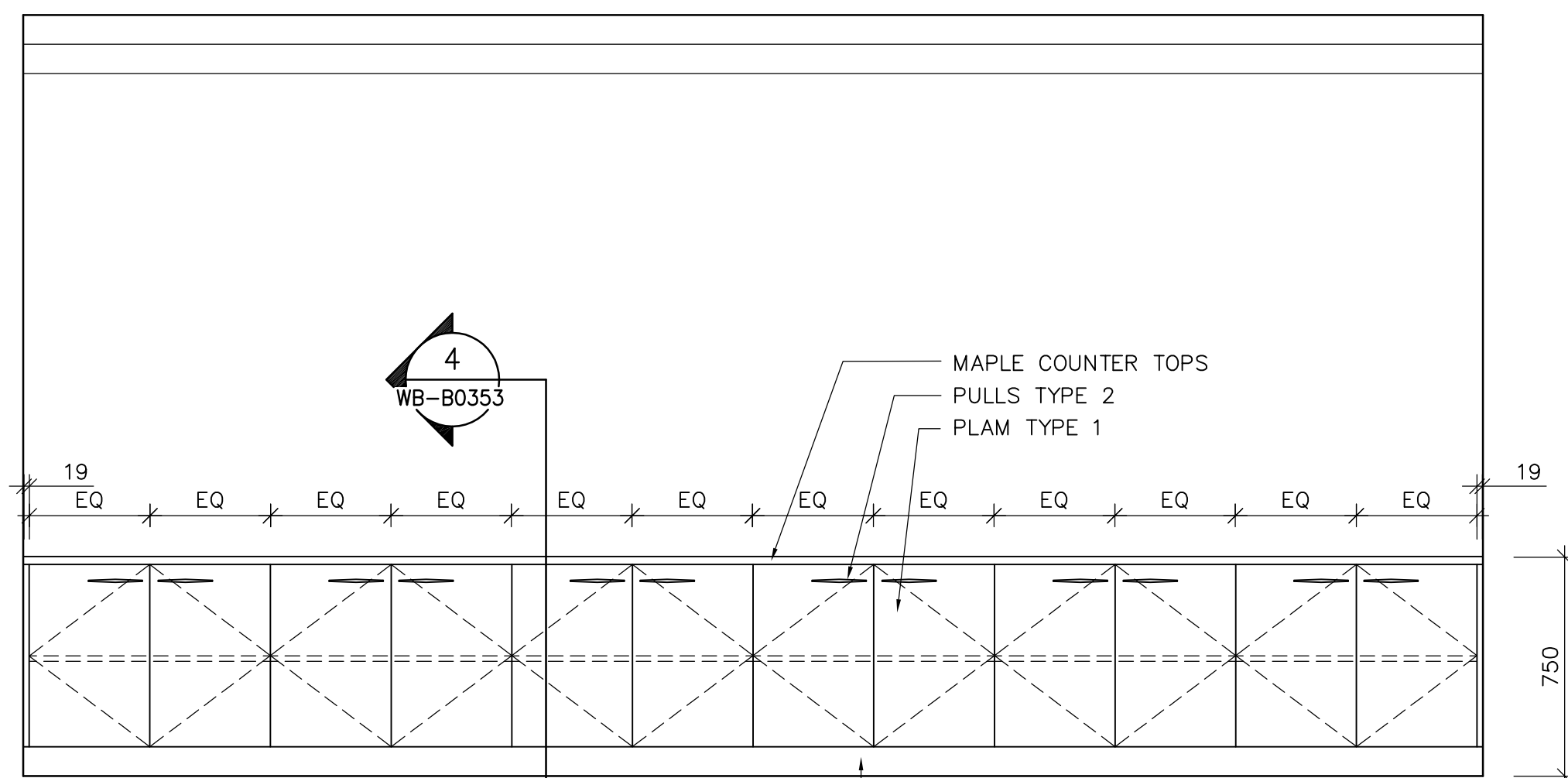


5 PRINT ROOM 223
WB-B0353 1: 20

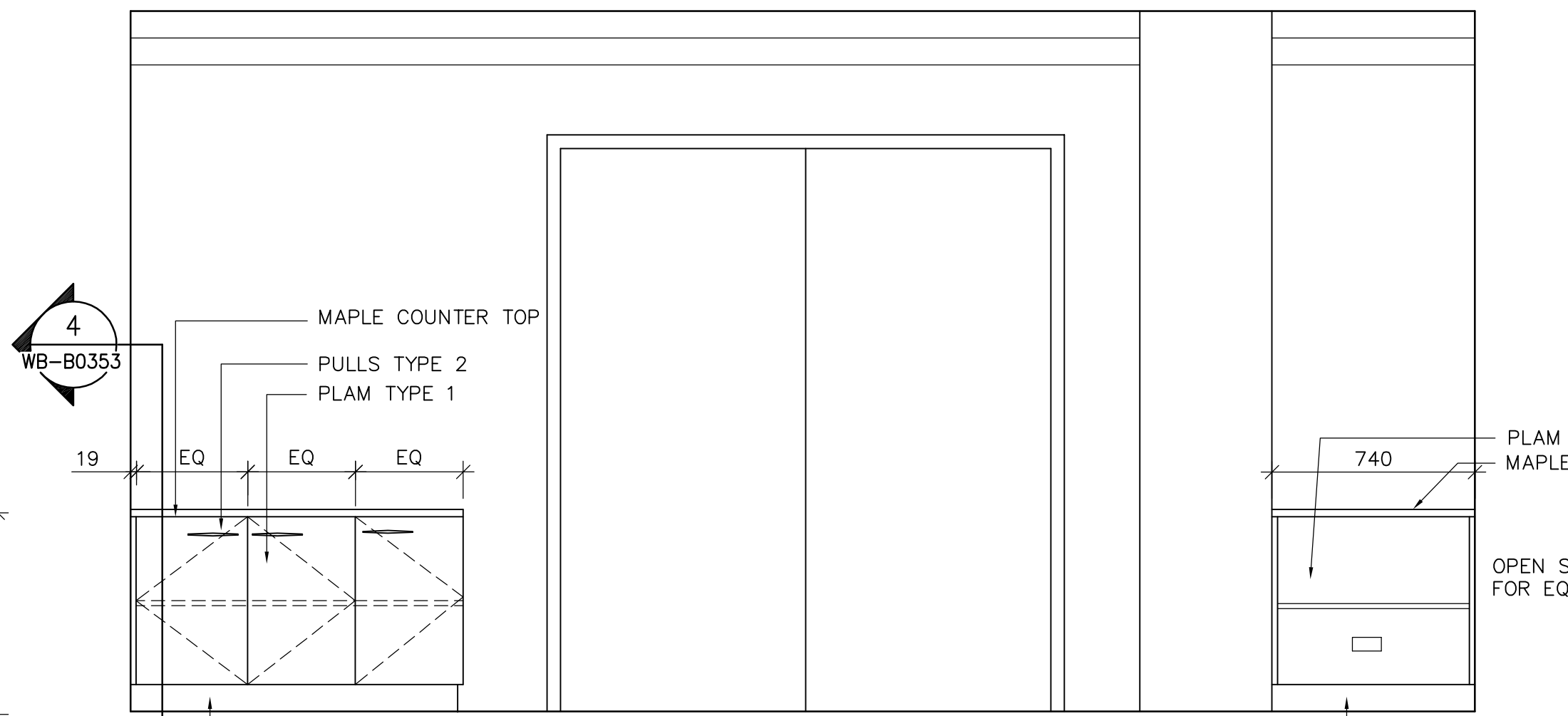
6 PRINT ROOM 223
WB-B0353 1: 20



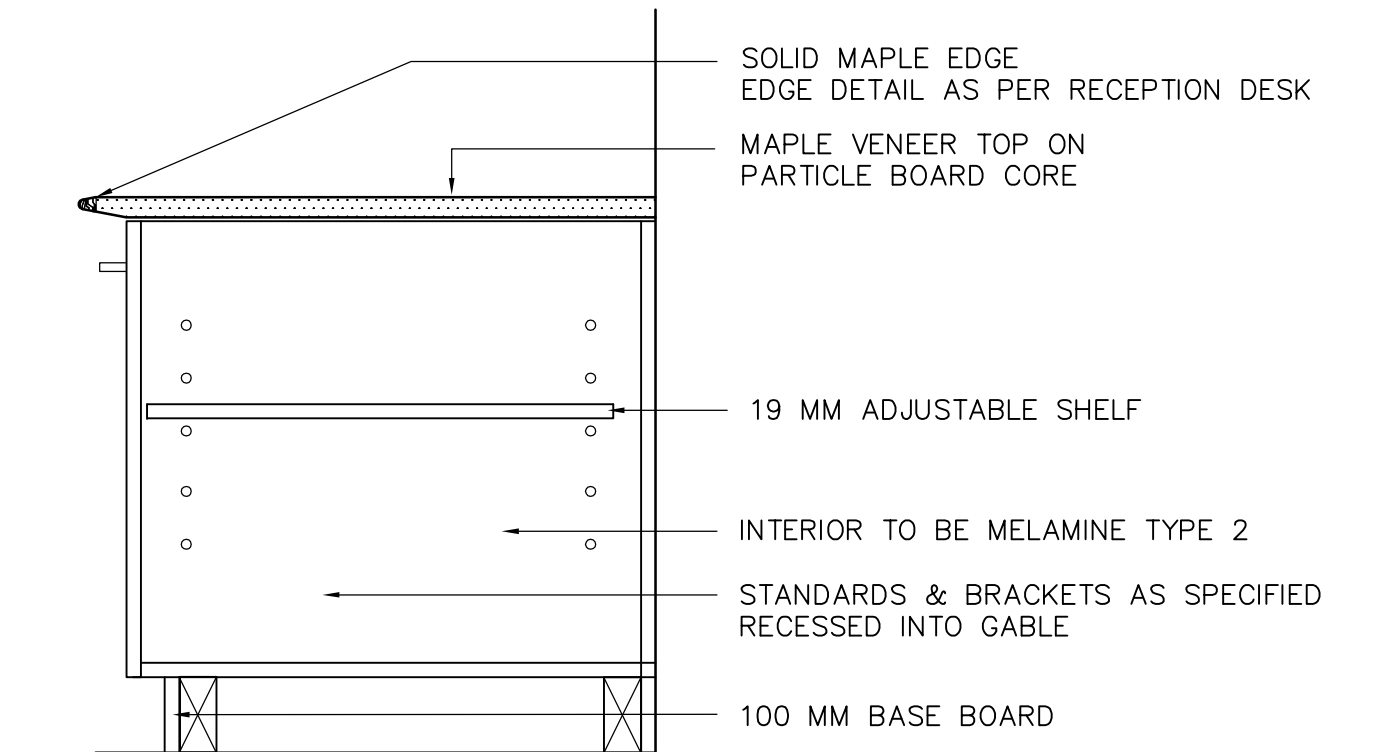
7 TYP MILWORK SECTION @ PRINT ROOMS 223/322
WB-B0353 1: 10



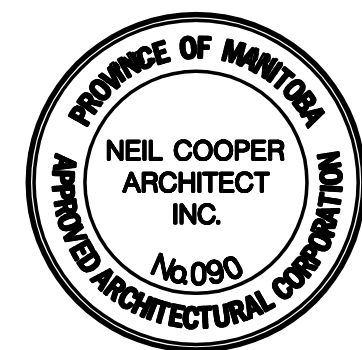
2 CONFERENCE ROOM 233
WB-B0353 1: 20



3 CONFERENCE ROOM 233
WB-B0353 1: 20



4 TYPICAL MILLWORK SECTION
WB-B0353 1: 10



| | | | |
|----------------------|------------|-------------------------------|---------------|
| B.M. ELEV. | | | |
| DESIGNED BY | MG | CHECKED BY | BJS |
| DRAWN BY | MG | APPROVED BY | AHL |
| SCALE: | AS NOTED | RELEASED FOR CONSTRUCTION BY: | R. SOROKOWSKI |
| 00 ISSUED FOR TENDER | 07/06/05 | LK | |
| NO. REVISIONS | DATE | BY | DATE |
| | 2005/08/05 | | 2007/06/05 |

CH2MHILL
Frederickson Cooper ARCHITECTS

EarthTech
A Top International LLC Company

ENGINEER'S SEAL
ORIGINAL SIGNED BY
NEIL COOPER
2007/06/05

CONSULTANT DRAWING NO.
WB-B0353

THE CITY OF WINNIPEG
WATER AND WASTE DEPARTMENT
ENGINEERING DIVISION

WATER TREATMENT PLANT
MAIN BUILDING
OFFICE AND PLANT INTERIOR FINISHES

ARCHITECTURAL
MILLWORK PLANS, ELEVATIONS, AND SECTIONS

CITY FILE NUMBER
SHEET OF
CITY DRAWING NUMBER
1-0601B-A-B0353-001-00D