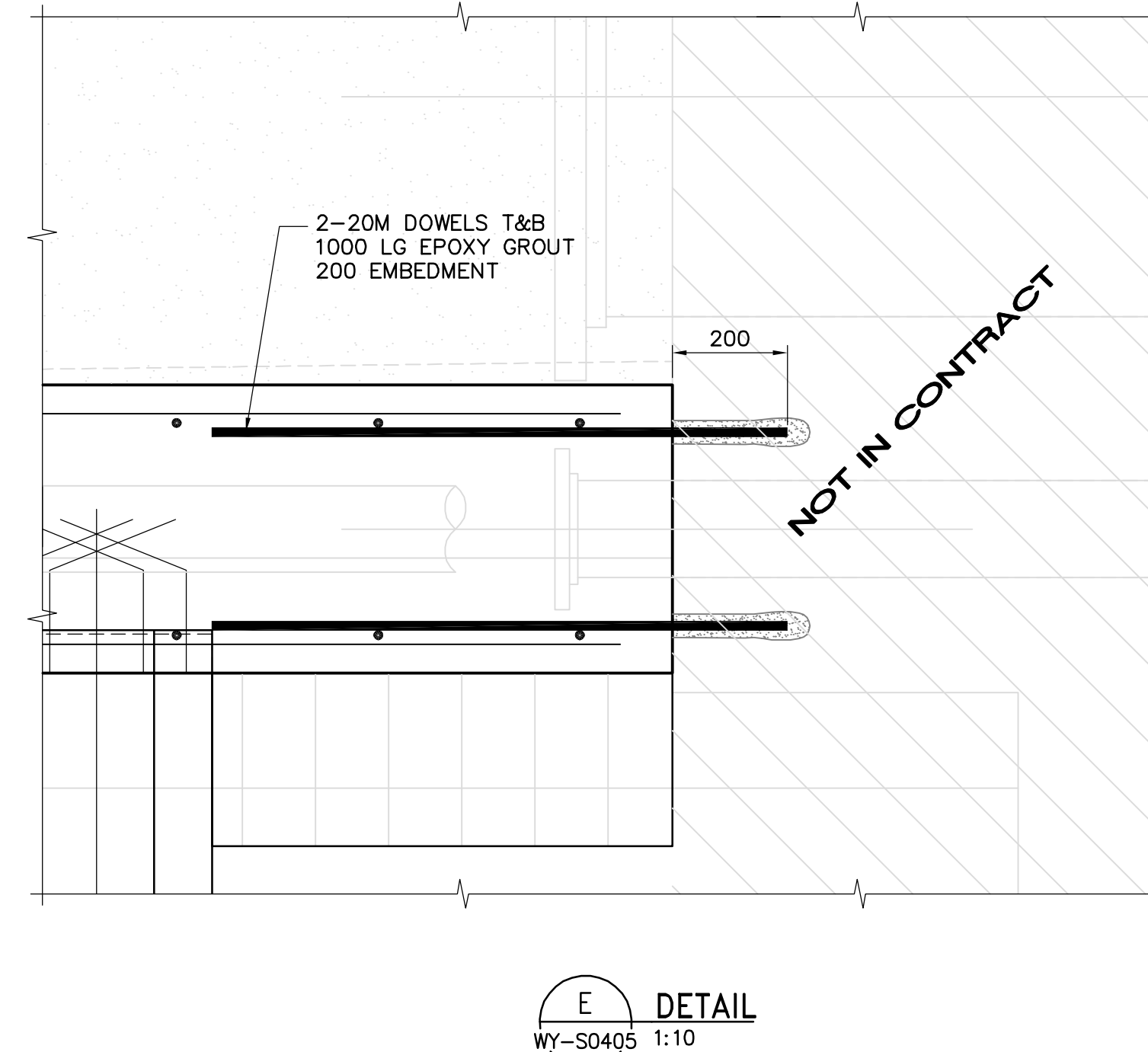
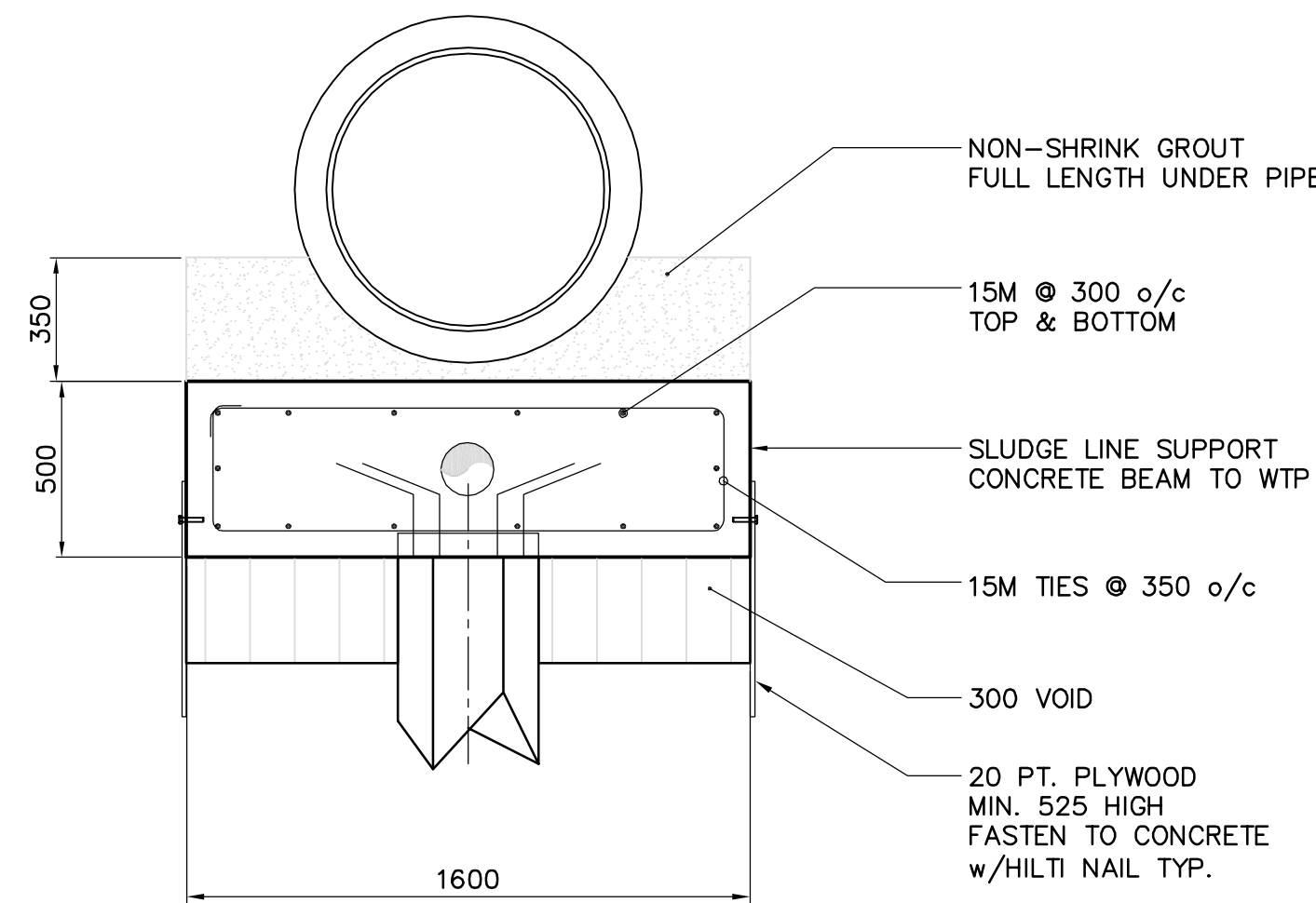


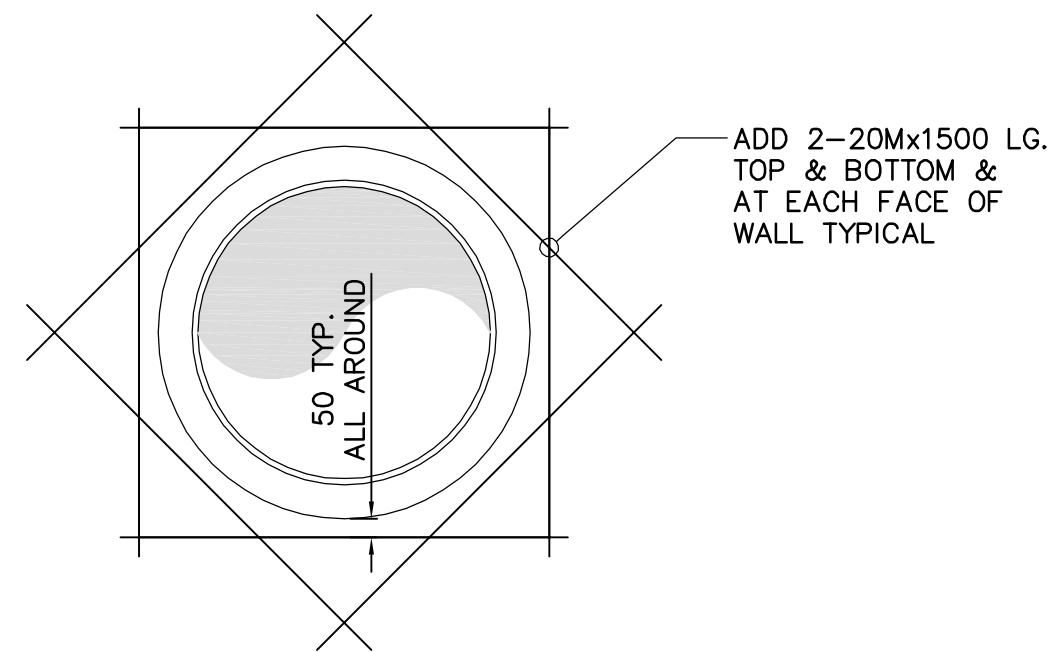
D DETAIL
WY-S0404 1:20



E DETAIL
WY-S0405 1:10



3 SECTION
WY-S0405 1:20



TYP. REINFORCING AT OPENINGS
SCALE N.T.S.

<p>Certificate of Authorization Earth Tech Canada Inc. No. 730 Expiry: April 30, 2007</p>	B.M. ELEV.	<p>Frederickson Cooper ARCHITECTS</p>	<p>A Tyco International Ltd. Company</p>	ENGINEER'S SEAL	<p>THE CITY OF WINNIPEG WATER AND WASTE DEPARTMENT ENGINEERING DIVISION</p>		
				DESIGNED BY: GGP / AP		CHECKED BY: MK	ORIGINAL SIGNED BY: A. POCHANART
				DRAWN BY: CMF		APPROVED BY: AHL	2007/01/26
				SCALE: AS NOTED		RELEASED FOR CONSTRUCTION BY: R. SOROKOWSKI	CONSULTANT DRAWING NO. WY-S0405
	01 ISSUED FOR TENDER (94-2007) 07/04/05 GSK				CITY FILE NUMBER		
	00 ISSUED FOR TENDER 07/01/26 CMF				SHEET OF		
	NO. REVISIONS	DATE	BY	DATE	CITY DRAWING NUMBER		
		2006/11/14		2007/01/26	1-0601Y-A-S0405-001-01D		

STRUCTURAL
SUPERNATANT VALVE CHAMBER 2
SECTIONS & DETAILS