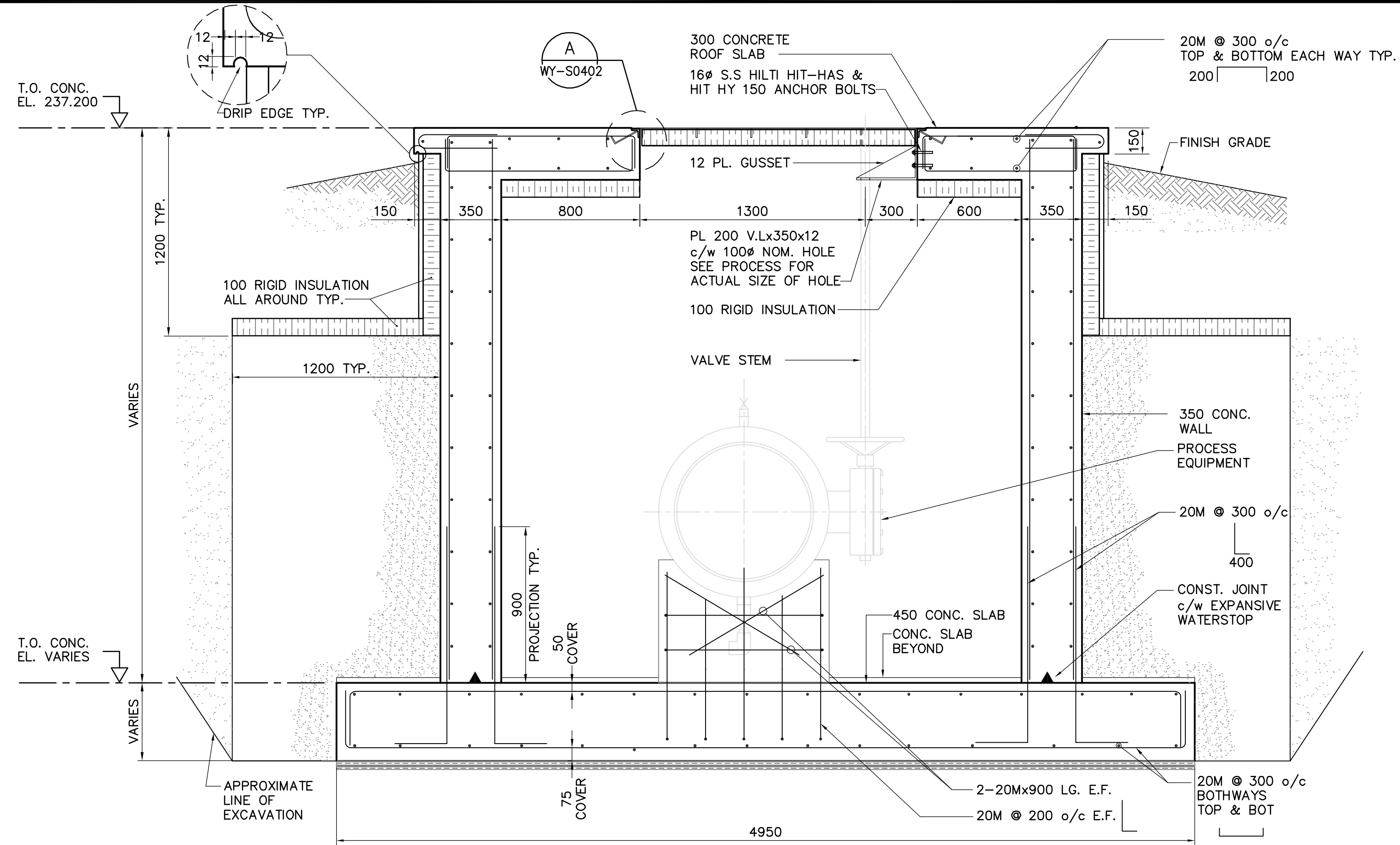
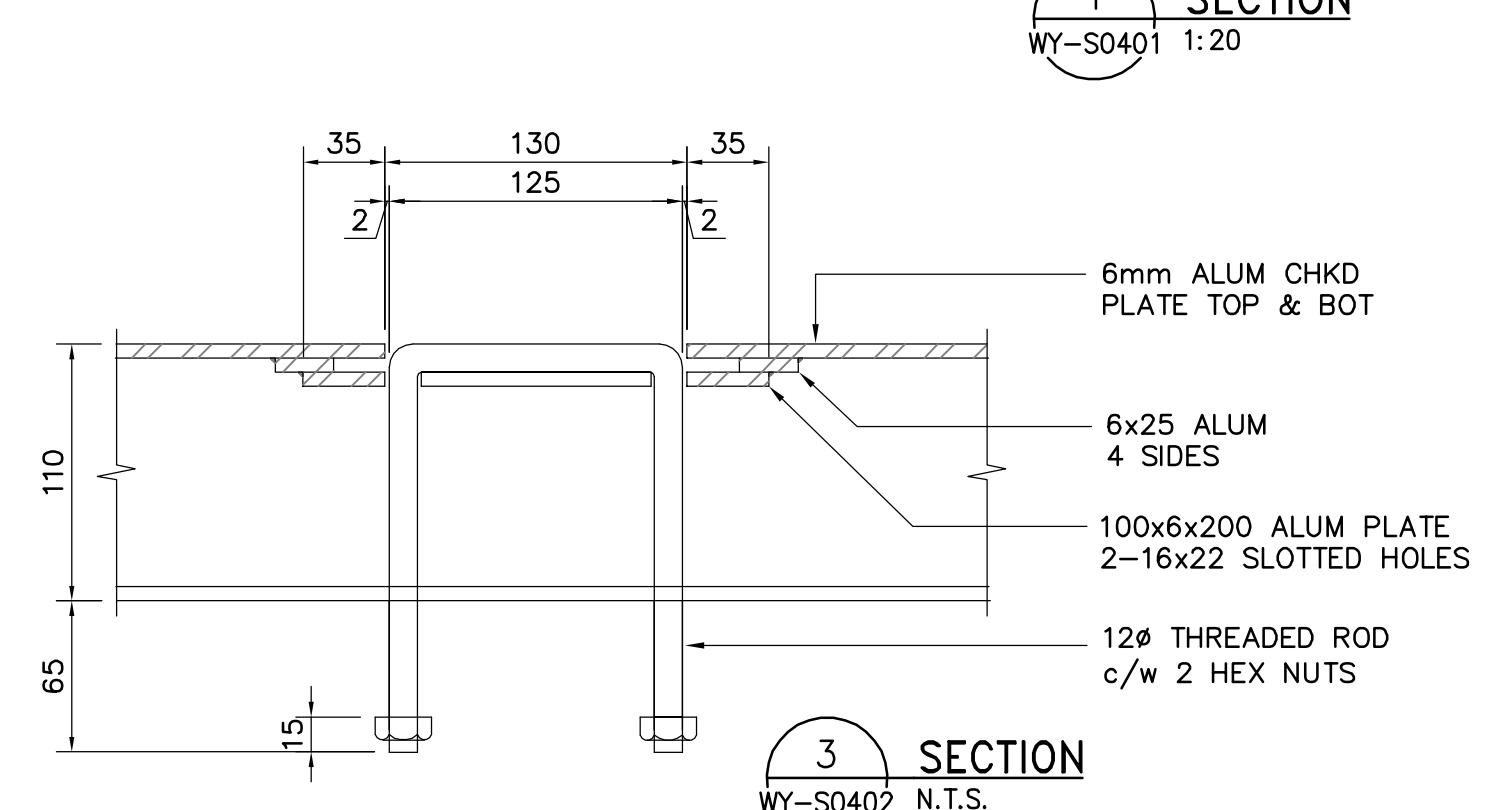


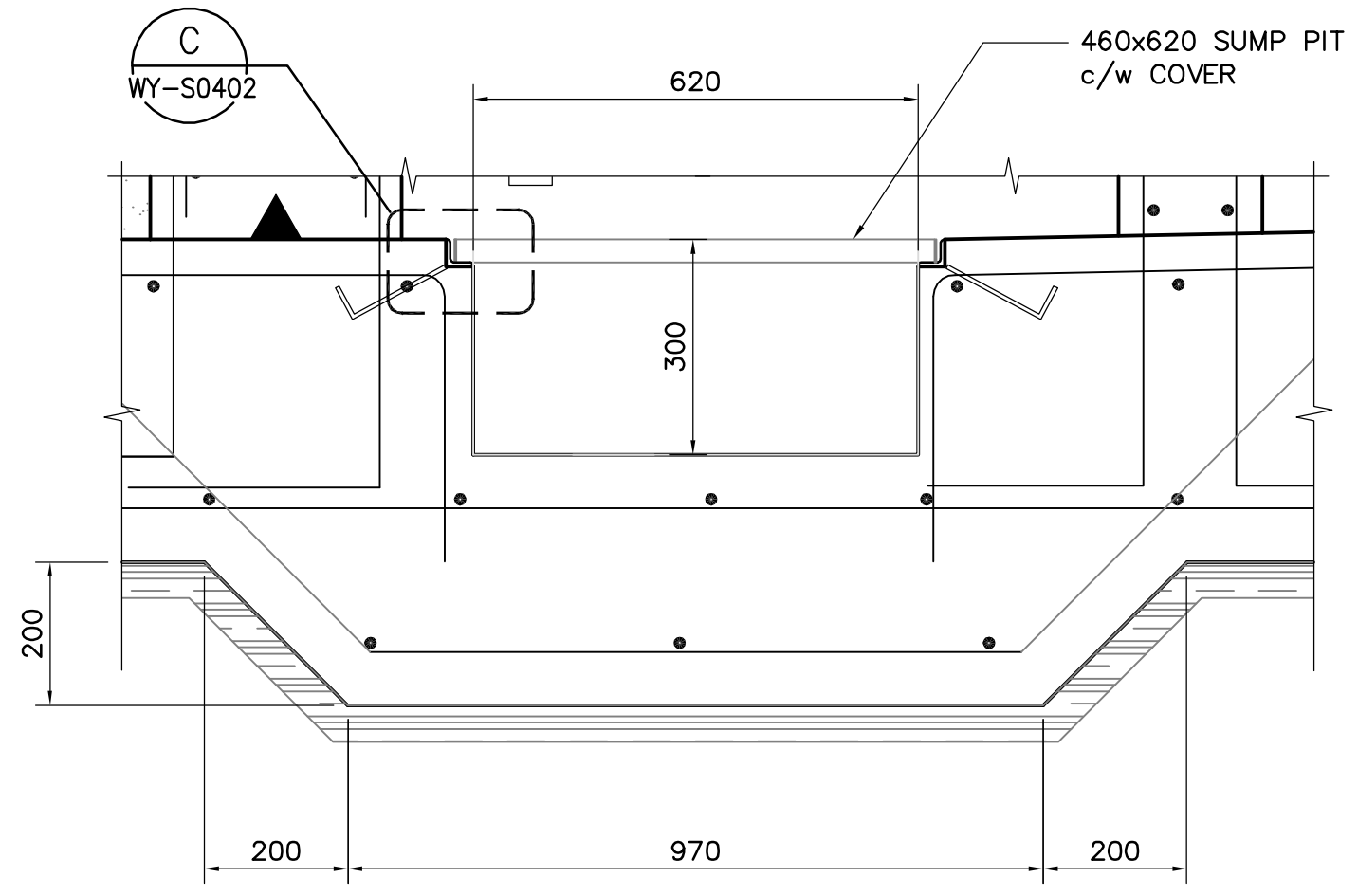
1 SECTION
WY-S0401 1:20



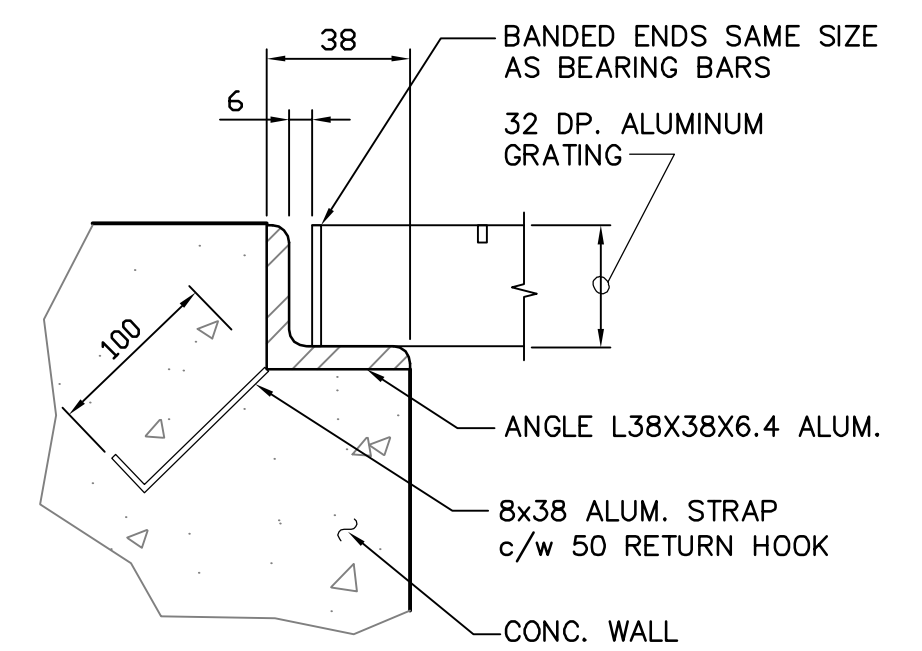
2 SECTION
WY-S0401 1:20



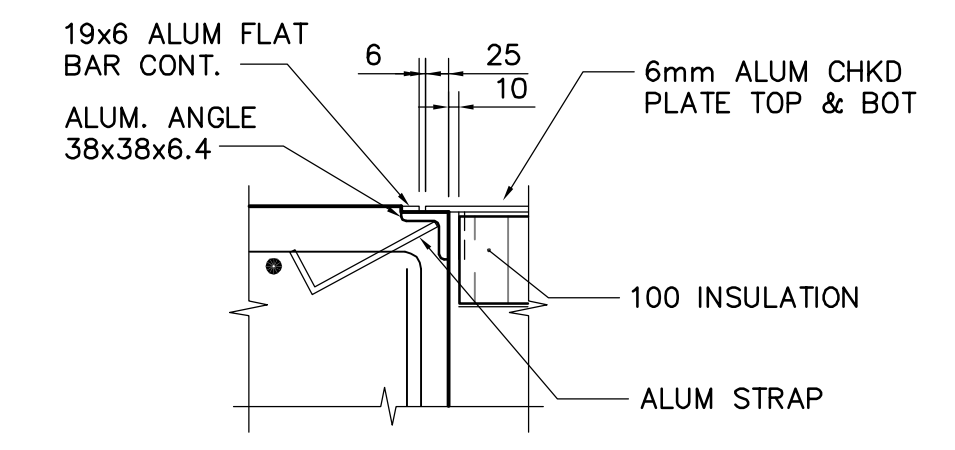
3 SECTION
WY-S0402 N.T.S.



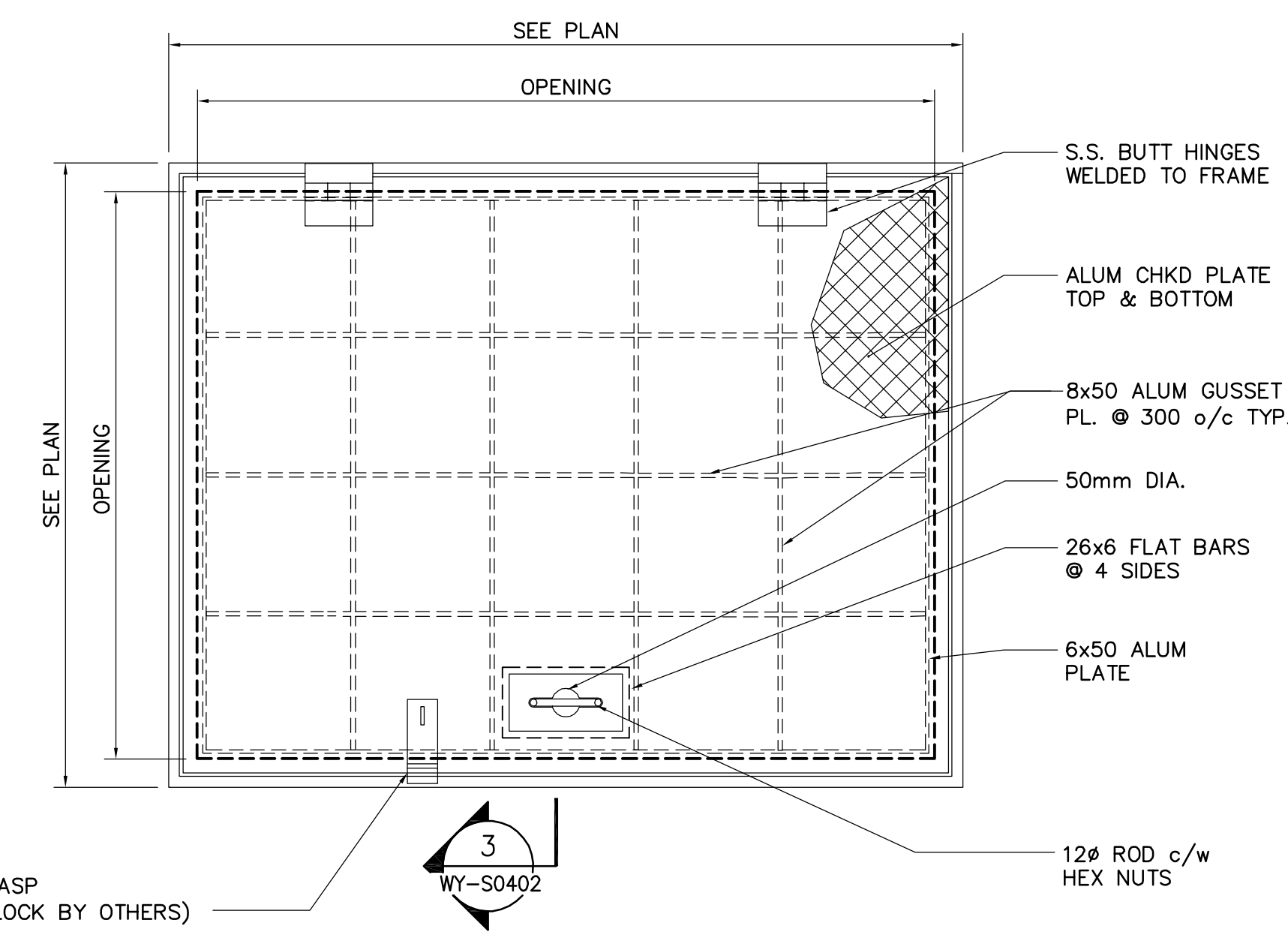
B DETAIL
WY-S0402 1:10



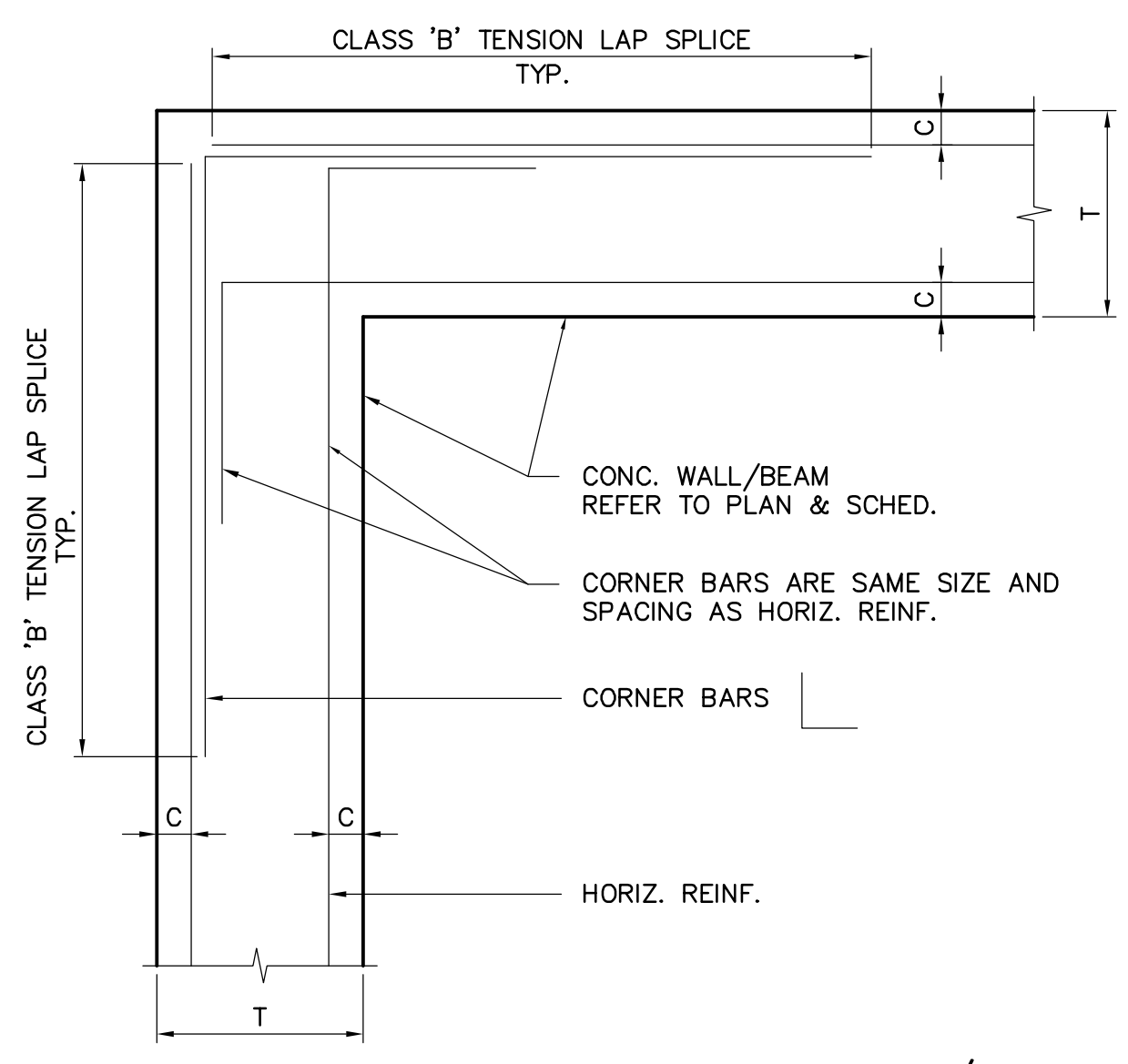
NOTES:
1. GRATING DESIGN FOR LIVE LOAD SEE PLANS & STRUCTURAL NOTES
2. ALL PARTS SHALL BE ALUMINUM UNLESS NOTED OTHERWISE
C ALUMINUM GRATING WITH EMBEDDED FRAME
WY-S0402 1:2



A DETAIL
WY-S0402 1:8



D TYP. INSULATED ALUMINUM COVER & FRAME DETAIL
WY-S0402 1:10



REINFORCING FOR WALL/BEAM INTERSECTION AT A CORNER

E DETAIL
WY-S0402 1:10

 Certificate of Authorization Earth Tech Canada Inc. No. 730 Expiry: April 30, 2007	B.M. ELEV.	 Frederickson Cooper ARCHITECTS DESIGNED BY: GGP / AP CHECKED BY: MK DRAWN BY: CMF APPROVED BY: AHL SCALE: AS NOTED RELEASED FOR CONSTRUCTION BY: R. SOROKOWSKI DATE: 2007/01/26	ENGINEER'S SEAL ORIGINAL SIGNED BY: A. POCHANART DATE: 2007/01/26 CONSULTANT DRAWING NO. WY-S0402	 THE CITY OF WINNIPEG WATER AND WASTE DEPARTMENT ENGINEERING DIVISION WATER TREATMENT PLANT SITE UTILITIES STRUCTURAL SUPERNATANT VALVE CHAMBER 1 SECTIONS & DETAILS	CITY FILE NUMBER	
						SHEET OF
						CITY DRAWING NUMBER
						1-0601Y-A-S0402-001-01D