

FIG. 1 FLOOR MOUNT

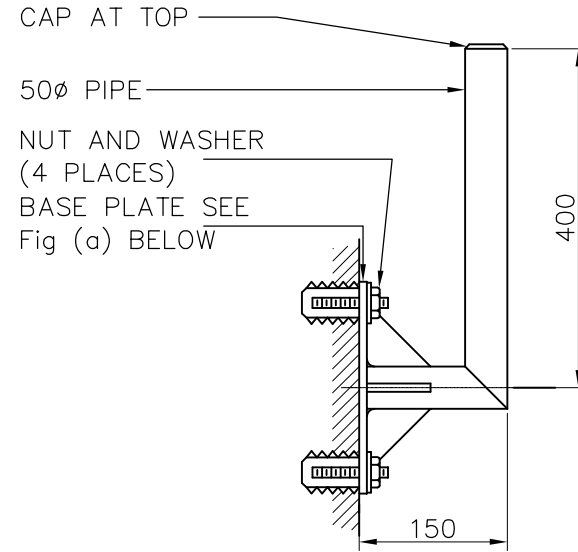


FIG. 2 WALL MOUNT

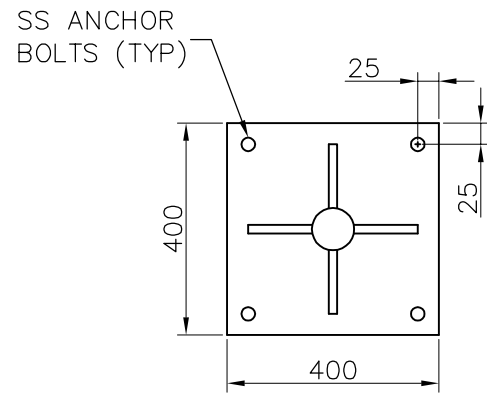


FIG. (a) MOUNTING PLATE

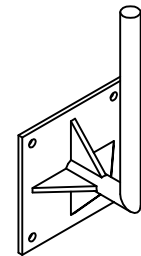


FIG. (b) WALL MOUNT EXTERNAL VIEW

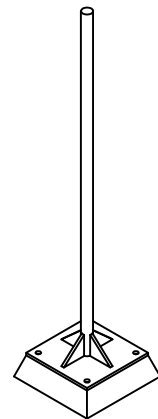


FIG. (c) FLOOR MOUNT EXTERNAL VIEW

NOTES:

- 1) PIPE AND MOUNTING PLATE COPPER FREE ALUMINUM, OR GALVANIZED STEEL.
- 2) TOP OF PIPE TO BE 1400 (NOMINAL) ABOVE SERVICE FLOOR.
- 3) GROUTING TO BE POURED ONCE FLOOR MOUNT STAND PLUMBED FASTENED IN PLACE.

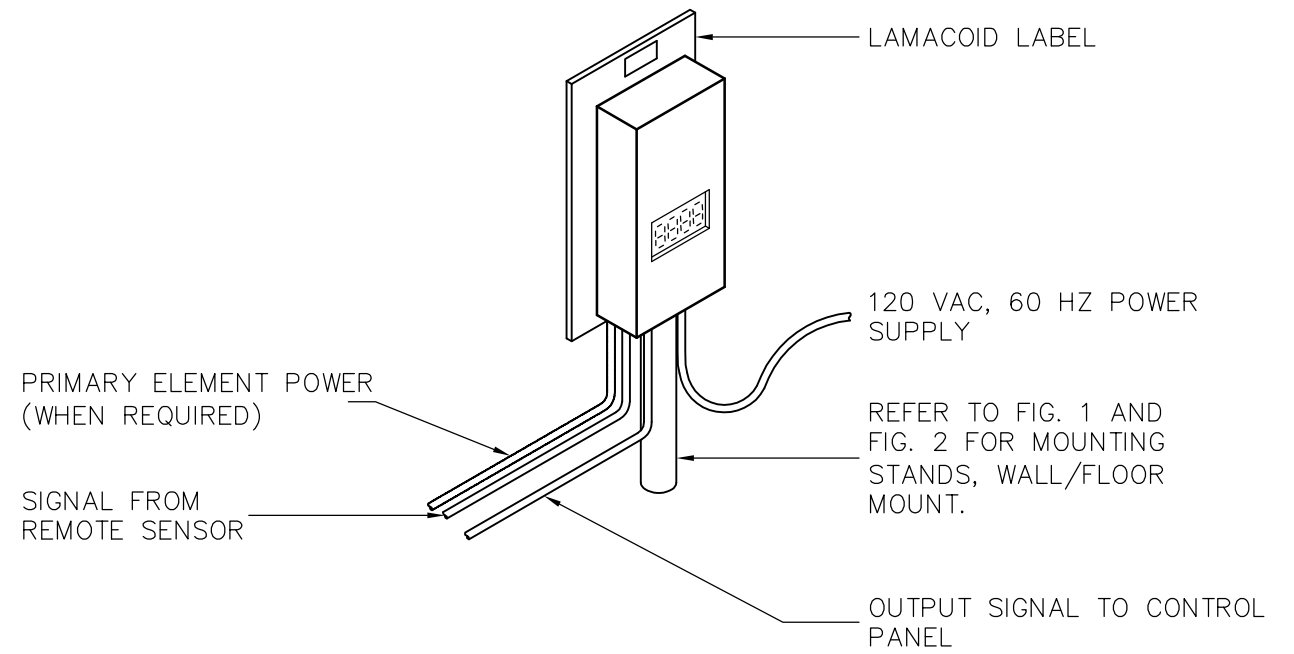


FIG. 3 REMOTE INDICATING TRANSMITTER (SELF POWERED)

REFER TO FIG. 1 AND FIG. 2 FOR MOUNTING STANDS, WALL/FLOOR MOUNT.

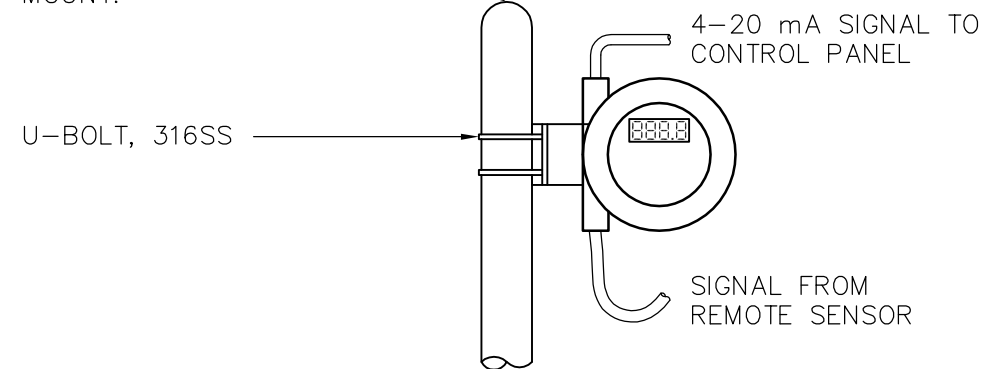


FIG. 4 REMOTE INDICATING TRANSMITTER (LOOP POWERED)

**FAPEGN**  
Certificate of Authorization  
Earth Tech Canada Inc.  
No. 730 Expiry: April 30, 2007

B.M. ELEV.	DATE	BY
00	ISSUED FOR TENDER (94-2007)	07/02/20 LAE
	NO. REVISIONS	DATE BY

DESIGNED BY	CHECKED BY
NT	SWT
DRAWN BY	APPROVED BY
GLG	AHL
SCALE:	RELEASED FOR CONSTRUCTION BY:
NTS	R. SOROKOWSKI
DATE	DATE
2006/01/17	2007/02/19

ENGINEER'S SEAL  
ORIGINAL SIGNED BY  
S.W. TORMEY  
2007/02/19  
CONSULTANT DRAWING NO.  
WL-A0402

**THE CITY OF WINNIPEG**  
WATER AND WASTE DEPARTMENT  
ENGINEERING DIVISION

WATER TREATMENT PLANT  
SITE UTILITIES

AUTOMATION I&C  
LOOP POWERED REMOTE INDICATING TRANSMITTER  
INSTRUMENTATION STANDARD DETAILS

CITY FILE NUMBER  
SHEET OF  
CITY DRAWING NUMBER  
1-0601L-D-A0402-001-00B