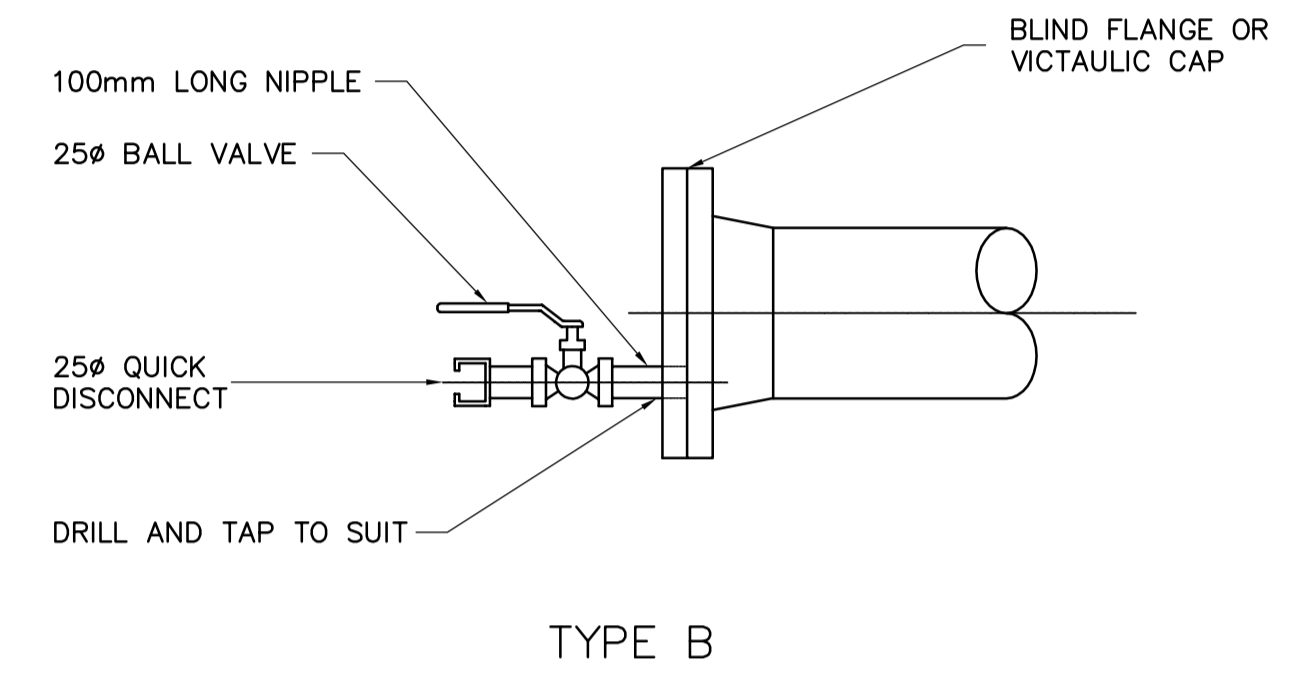
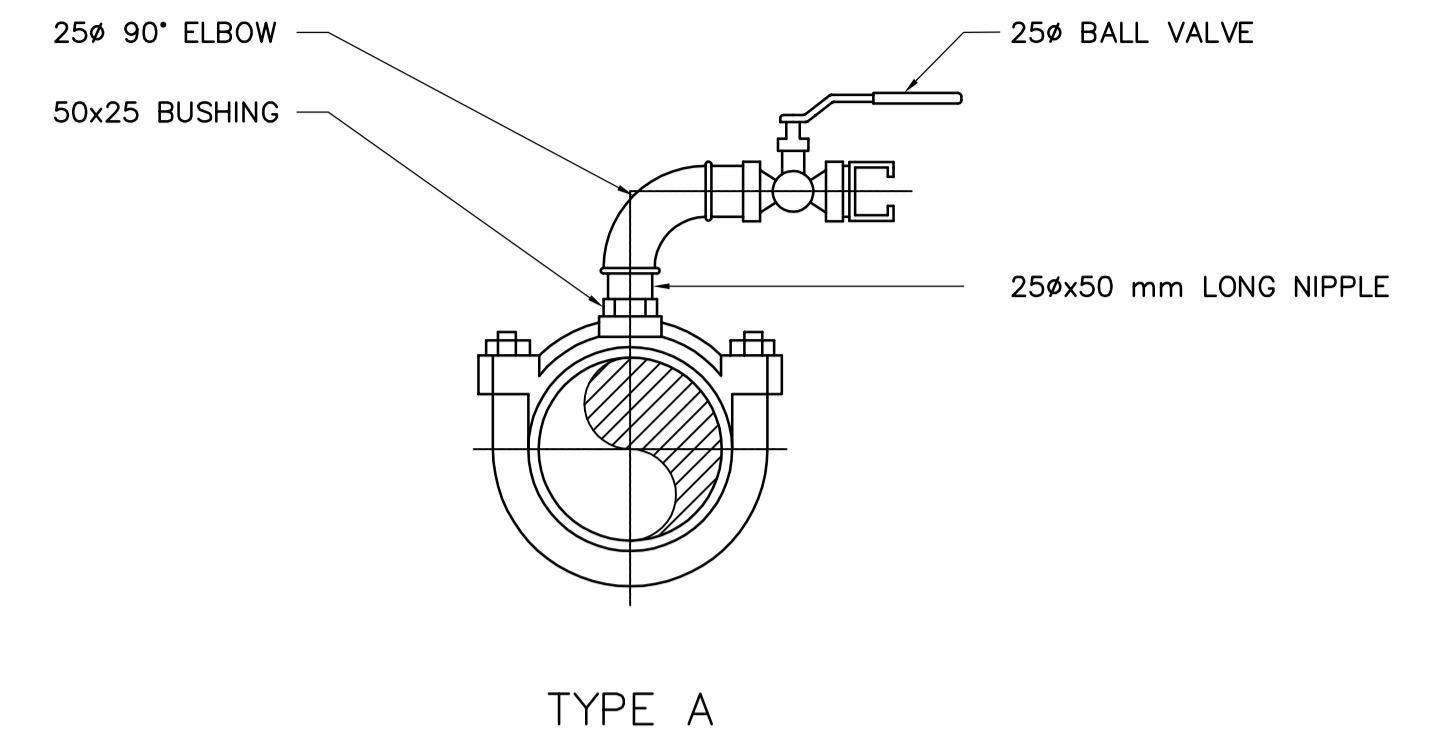
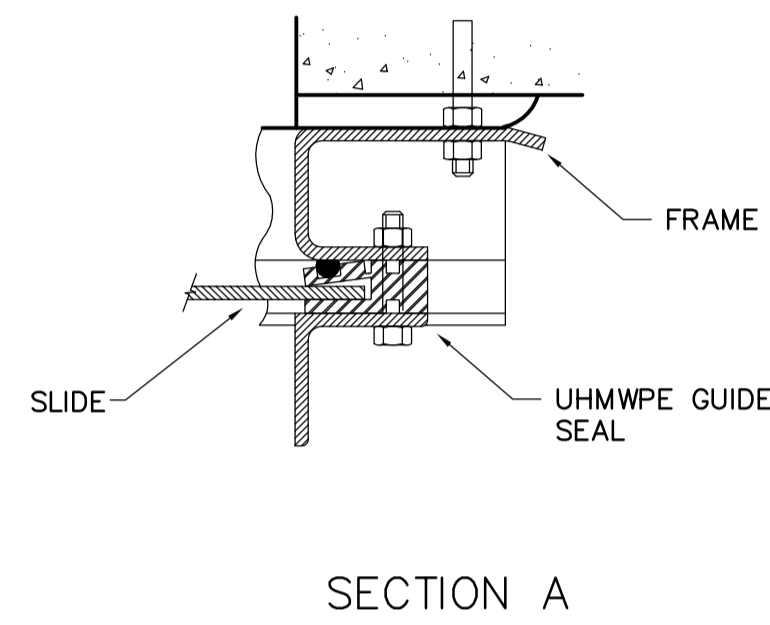
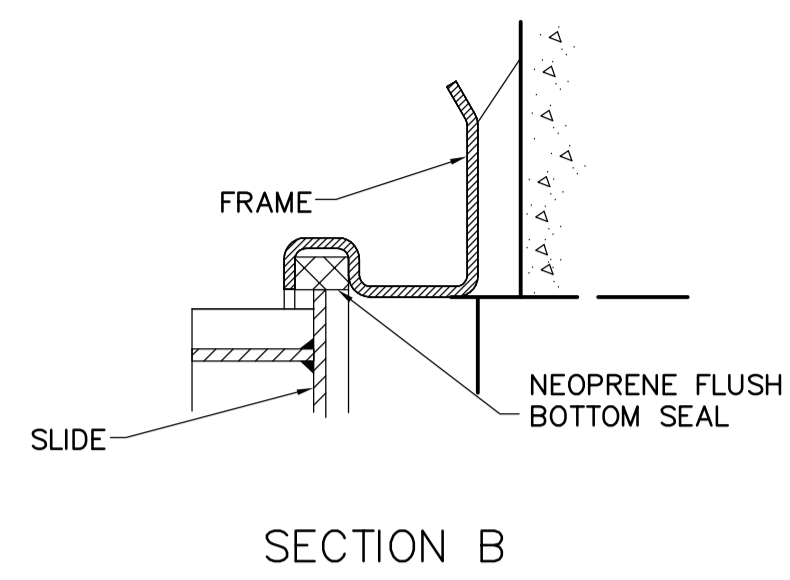


1 1200x600 SLUICE GATE DETAIL  
NTS



2 FLUSHING CONNECTION  
NTS

 Certificate of Authorization Earth Tech Canada Inc. No. 730 Expiry: April 30, 2007	B.M. ELEV.	 Frederickson Cooper ARCHITECTS	 A Tyco International Ltd. Company	ENGINEER'S SEAL	 THE CITY OF WINNIPEG WATER AND WASTE DEPARTMENT ENGINEERING DIVISION	WATER TREATMENT PLANT CONSTRUCTION OF DEWATERING CELLS	CITY FILE NUMBER		
				DESIGNED BY SM			CHECKED BY SRB	ORIGINAL SIGNED BY	SHEET OF
				DRAWN BY JBC			APPROVED BY DJT	S.R. BILEVICIUS	
				SCALE: NONE			RELEASED FOR CONSTRUCTION BY: R. SOROKOWSKI	2006/03/07	
	NO. REVISIONS	DATE	BY	DATE	CONSULTANT DRAWING NO. WL-C0456	CIVIL STANDARD DETAILS SHEET 6	CITY DRAWING NUMBER 1-0601L-A-C0456-001-020		