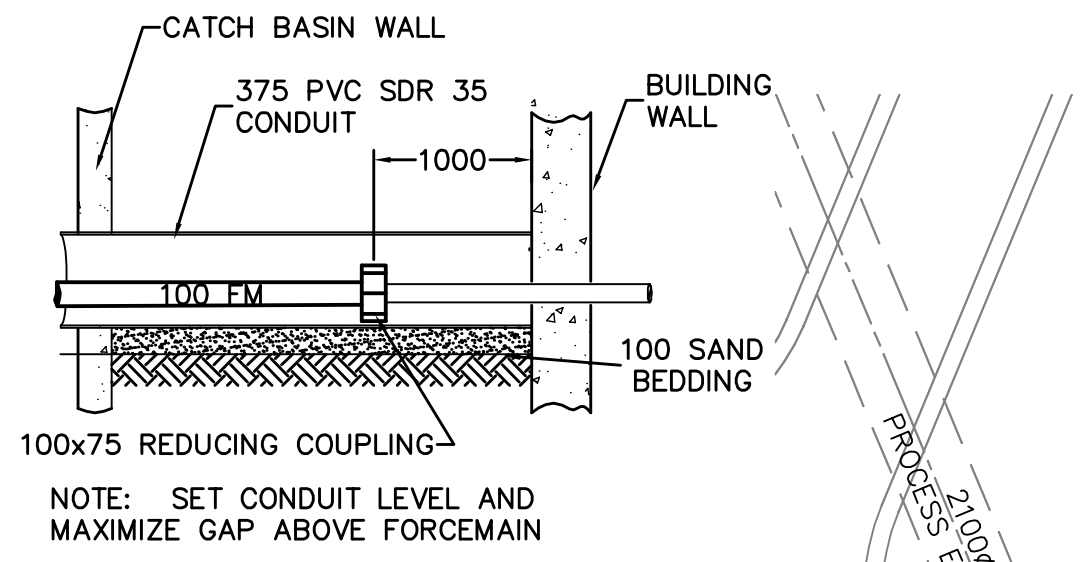


1 INSULATED CATCHBASIN DETAIL
WH-C0201 N.T.S.



2 CB TO BLDG. CONDUIT DETAIL
WH-C0201 N.T.S.

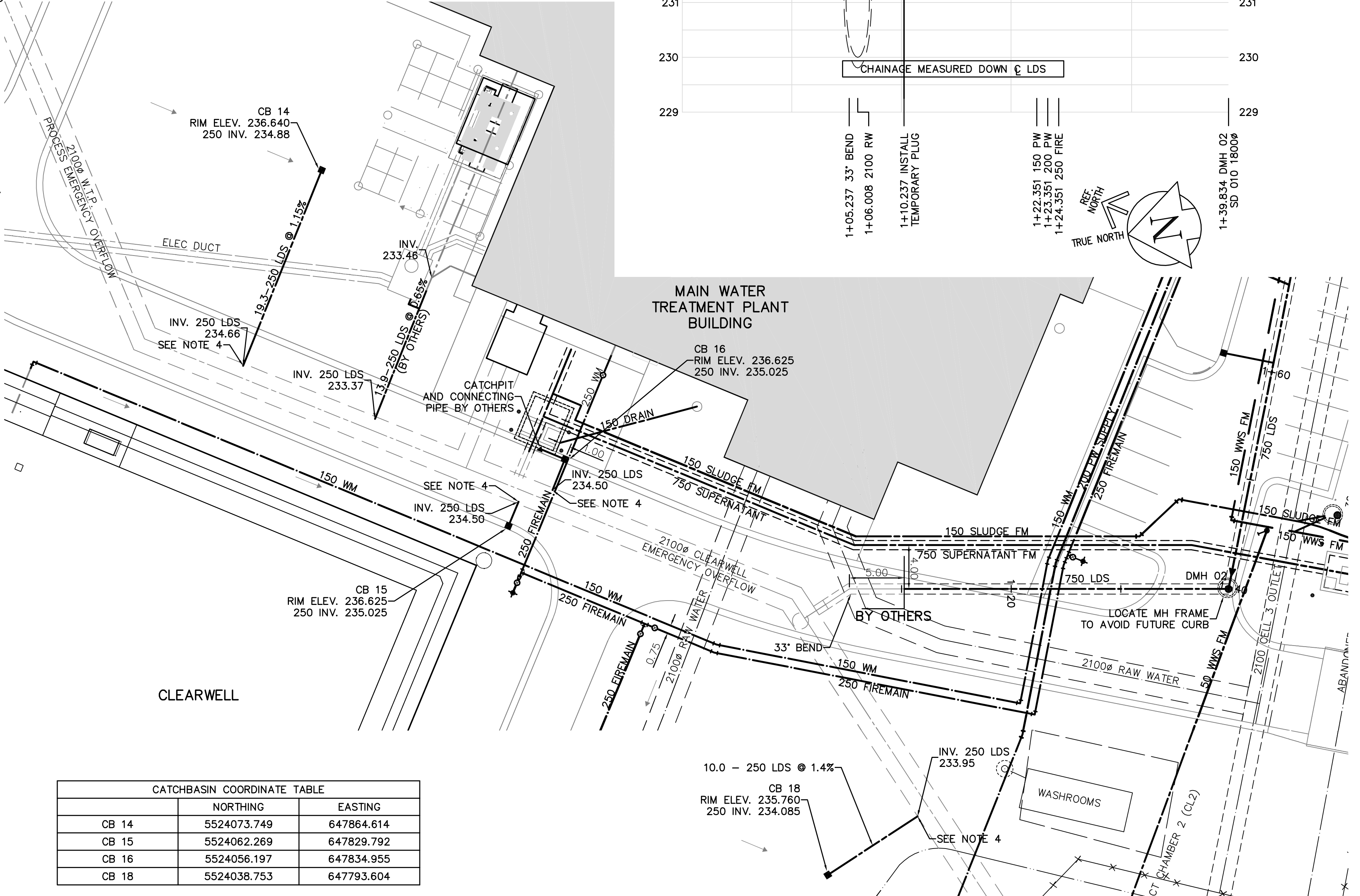
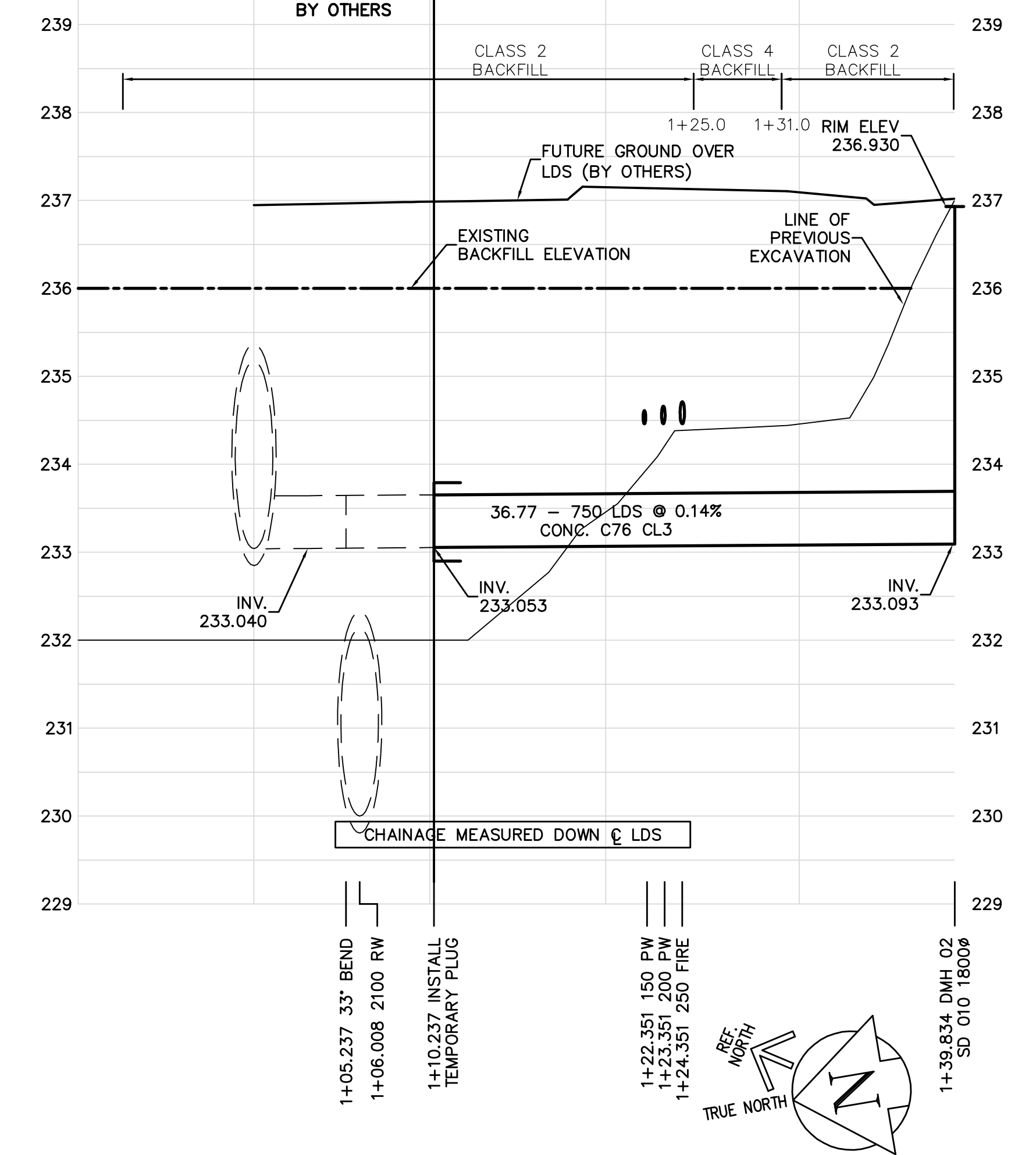
DESCRIPTION	NORTHING	EASTING
CB 14 CONNECTION TO 2100	5524083.757	647848.169
250 LDS STUB TO WTP	5524066.139	647852.201
250 LDS CONNECTION TO 2100	5524072.680	647841.428
CB 15 CONNECTION TO 2100	5524061.003	647831.823
CB 16 CONNECTION TO 2100	5524057.777	647832.358
CB 18 CONNECTION TO 2100	5524029.801	647797.541

GENERAL NOTES:
 A. LOCATION OF UNDERGROUND STRUCTURES AS SHOWN ARE BASED ON THE BEST INFORMATION AVAILABLE. BUT NO GUARANTEE IS GIVEN THAT ALL EXISTING UTILITIES ARE SHOWN OR THAT THE GIVEN LOCATIONS ARE EXACT. CONFIRMATION OF EXISTENCE AND EXACT LOCATION OF ALL SERVICES MUST BE OBTAINED FROM THE INDIVIDUAL UTILITIES BEFORE PROCEEDING WITH CONSTRUCTION.

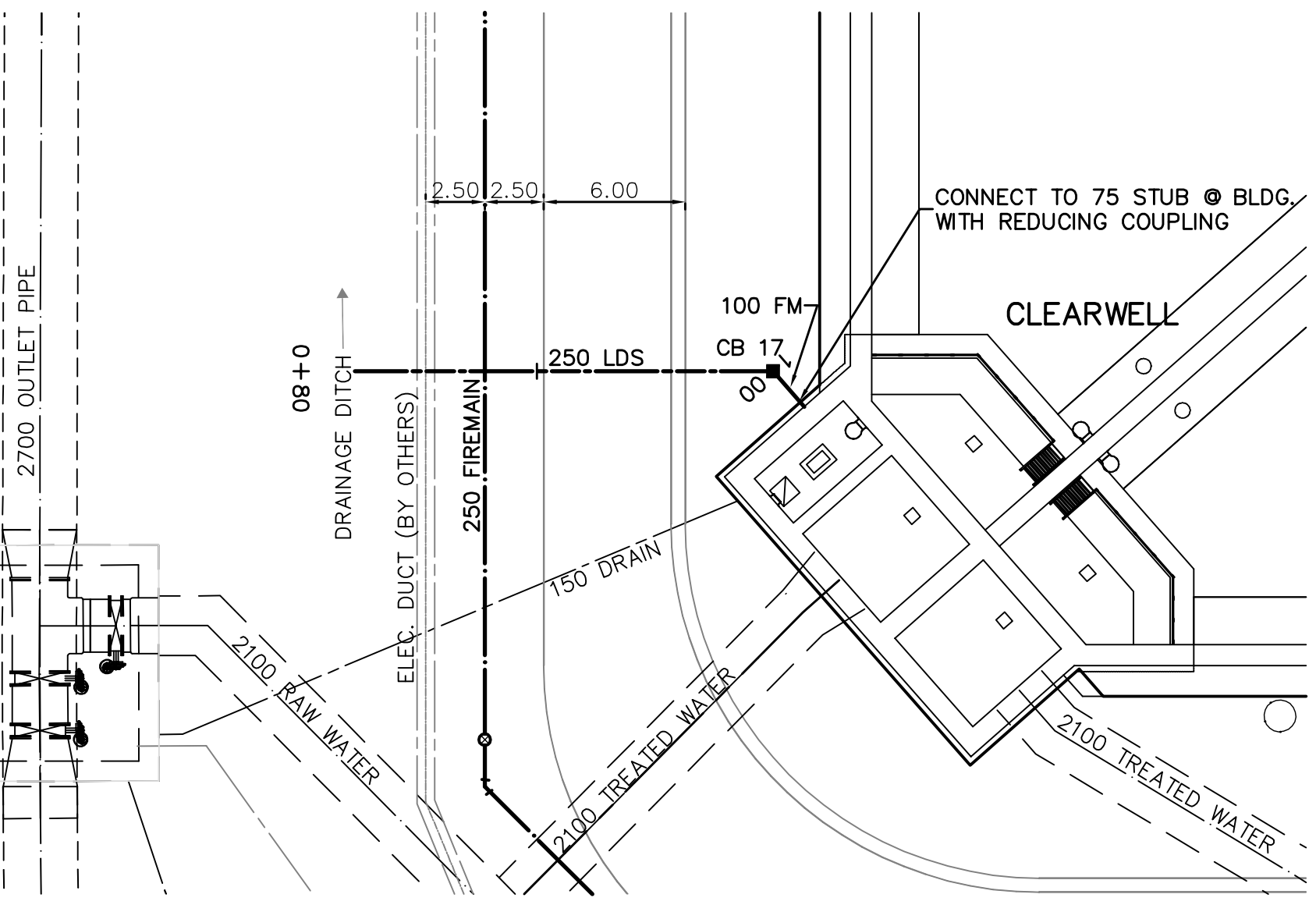
CONSTRUCTION NOTES:
 1. ALL CATCH BASINS ARE 1800 BARREL HEIGHT UNLESS OTHERWISE NOTED.
 2. ALL PIPE BEDDING TO BE CLASS B SAND BEDDING UNLESS OTHERWISE NOTED.
 3. ALL CATCH BASIN LEADS ARE 250 DIAMETER UNLESS OTHERWISE NOTED.
 4. CONNECT NEW LDS TO EXISTING JUNCTIONS IN 2100 OVERFLOW PIPE. LOCATE JUNCTIONS PRIOR TO CONSTRUCTION.
 5. BACKFILL ALL CATCHBASIN LEADS UNDER PROPOSED PAVEMENTS AND SIDEWALKS WITH CLASS 2 BACKFILL. BACKFILL 100 WITH CLASS 4 BACKFILL IN BOULEVARD AREAS.
 6. CONNECTIONS TO THE 2100 OVERFLOW ARE TO BE MADE BY CORING A ROUND HOLE WITH DIAMOND SAW AND INSERTING AN APPROVED GASKET.

BENCHMARK NOTES:
 DRAWING COORDINATES ARE UTM NAD83 - SCALE FACTOR 0.99983

B.M. No.	NORTHING	EASTING	ELEVATION
PILE 136	5523873.734	647764.406	236.242
PILE 133	5523256.606	647782.387	236.056

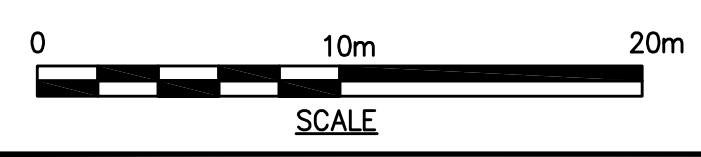


	NORTHING	EASTING
CB 14	5524073.749	647864.614
CB 15	5524062.269	647829.792
CB 16	5524056.197	647834.955
CB 18	5524038.753	647793.604



DESCRIPTION	NORTHING	EASTING
CB 17	5524118.456	647768.184
100# CONNECTION AT BLDG	5524116.795	647768.460
250# OUTLET STA. 0+84	5524127.829	647753.149

	NORTHING	EASTING
750 CONNECTION	5524034.904	647817.981
30' BEND	5524032.538	647819.021
DMH 02	5523998.413	647813.348



<p>Certificate of Authorization Earth Tech Canada Inc. No. 730 Expiry: April 30, 2007</p>	<p>B.M. ELEV.</p> <table border="1"> <tr><td> </td><td> </td><td> </td></tr> <tr><td> </td><td> </td><td> </td></tr> <tr><td> </td><td> </td><td> </td></tr> </table>										<p>Frederickson Cooper ARCHITECTS</p>	<p>A Tyco International Ltd. Company</p>	ENGINEER'S SEAL ORIGINAL SIGNED BY K.W. FITCHETT 2007/02/20	<p>THE CITY OF WINNIPEG WATER AND WASTE DEPARTMENT ENGINEERING DIVISION</p>
DESIGNED BY GSK CHECKED BY KF DRAWN BY JBC APPROVED BY AHL SCALE: 1:250 HOR 1:50 VER RELEASED FOR CONSTRUCTION BY: R. SOROKOWSKI DATE 2006/11/21 DATE 2007/02/20	CONSULTANT DRAWING NO. WH-C0201	WATER TREATMENT PLANT SITE UTILITIES CIVIL LAND DRAINAGE SEWER STA. 1+00 TO STA. 1+40 CITY FILE NUMBER SHEET 1 OF CITY DRAWING NUMBER 1-0601H-C-0201-01-0D												