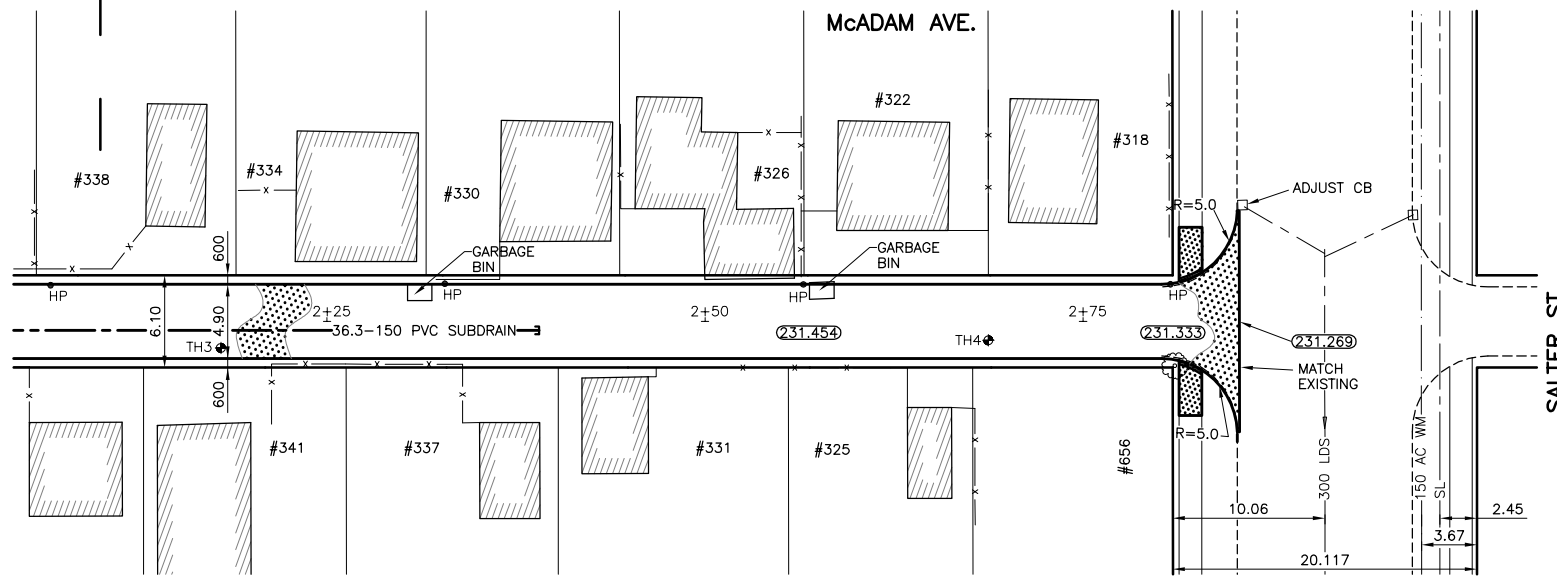


ALLEY PAVEMENT PROFILE

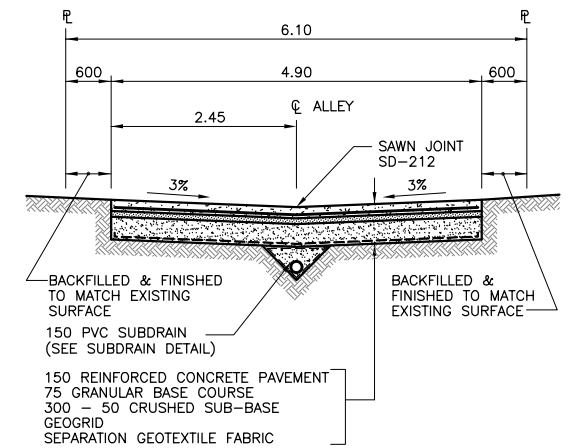
SCALE: 1:250 HOR
1:10 VER

MATCH LINE
STA 2+10



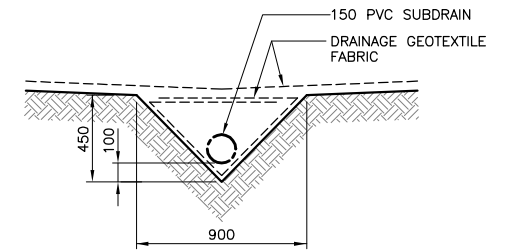
ALLEY PAVEMENT PLAN

SCALE: 1:250 HOR



TYPICAL CROSS SECTION

SCALE: 1:50



SUBDRAIN DETAIL

SCALE: 1:20

NOTE:

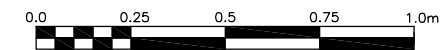
1. STATION CHAINAGE IS BASED ON CENTERLINE OF ALLEY RIGHT OF WAY.
2. ADJUST MH AND CB RIMS TO NEW GRADES.
3. PLUG SUBDRAINS AT TERMINAL ENDS.
4. REGRADE EXISTING PRIVATE SIDEWALKS AS REQUIRED.
5. INSTALLATION OF LIP CURBS AND THEIR EXTENTS TO BE DETERMINED BY THE CONTRACT ADMINISTRATOR.
6. LIGHT STANDARDS, HYDRO POLES AND ANCHORS MAY REQUIRE TEMPORARY SUPPORT/REMOVAL OR REPLACEMENT AT THE CONTRACTOR'S EXPENSE.
7. ISOLATE ALL POLES, BASES AND PILES WITHIN ALLEY RIGHT OF WAY (SD-228C).
8. AVOID DAMAGE TO EXISTING TREES WITHIN THE LIMITS OF CONSTRUCTION.

WARNING

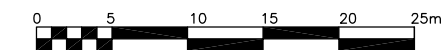
IF POWER EQUIPMENT OR EXPLOSIVES ARE TO BE USED FOR EXCAVATION ON THIS PROJECT THE CONTRACTOR MUST:
1) NOTIFY THE GAS COMPANY OF THE PROPOSED LOCATION OF EXCAVATION.
2) TAKE PRECAUTION TO AVOID DAMAGE TO GAS COMPANY INSTALLATIONS.
SEE PROVINCIAL REGULATION 210/72 FOR DETAILS.

METRIC

WHOLE NUMBERS INDICATE MILLIMETRES
DECIMALIZED NUMBERS INDICATE METRES



SCALE: 1:10 METRIC A1
1:20 METRIC A3



SCALE: 1:250 METRIC A1
1:500 METRIC A3

| | | | | | | | | | |
|----------|---------------------|----------|----------|-------------|----------|----------|----------------|----------|--|
| 300 LBS | LAND DRAINAGE SEWER | 300 LBS | | | | | | | |
| 250 WWS | WASTE WATER SEWER | 250 WWS | | | | | | | |
| | GAS | | | | | | | | |
| | HYDRO | | | | | | | | |
| | M.T.S. | | | | | | | | |
| 150 WM | WATERMAIN | 150 WM | | | | | | | |
| | HYDRANT | | | | | | | | |
| | VALVE | | | | | | | | |
| | MANHOLE | | | | | | | | |
| | CATCH BASIN | | | | | | | | |
| | CURB INLET | | | | | | | | |
| | POLES | | | | | | | | |
| EXISTING | LEGEND-PLAN | PROPOSED | EXISTING | LEGEND-PLAN | PROPOSED | EXISTING | LEGEND-PROFILE | PROPOSED | |

LOCATION APPROVED UNDERGROUND STRUCTURES

SUPV. U/G STRUCTURES DATE COMMITTEE

NOTE:
LOCATION OF UNDERGROUND STRUCTURES AS SHOWN ARE BASED ON THE BEST INFORMATION AVAILABLE BUT NO GUARANTEE IS GIVEN THAT ALL EXISTING UTILITIES ARE SHOWN OR THAT THE GIVEN LOCATIONS ARE EXACT. CONFIRMATION OF EXISTENCE AND EXACT LOCATION OF ALL SERVICES MUST BE OBTAINED FROM THE INDIVIDUAL UTILITIES BEFORE PROCEEDING WITH CONSTRUCTION.

| | | | |
|-------------------------------|--|----------|----|
| B.M. 26-044 ELEV. 231.698m | N.E. COR. MATHESON AVE. & POWERS ST. TBL. IN W. CONC. FOUNDATION OF JOSEPH WOLINSKY SCHOOL NO. 427/437 MATHESON AVE. 1m W. & 0.5m BELOW BRICK OF N.E. COR. OF SCHOOL. | | |
| 0 | ISSUED FOR TENDER | 06/02/07 | CR |
| A | ISSUED FOR REVIEW | 26/01/07 | CR |
| NO. | REVISIONS | DATE | BY |

KGS GROUP CONSULTING ENGINEERS & PROJECT MANAGERS
WINNIPEG (204) 896-1209
THUNDER BAY (807) 345-2233

| | | | |
|-------------|-------|----------------------------|----------|
| DESIGNED BY | RO | CHECKED BY | CR |
| DRAWN BY | DW | APPROVED BY | |
| HOR. SCALE: | 1:250 | RELEASED FOR CONSTRUCTION: | |
| VERTICAL: | 1:50 | DATE | 05/01/07 |

ENGINEER'S SEAL
ORIGINAL SIGNED BY
M.C. ROWBOTHAM
FEB 07/2007
CONSULTANT DRAWING NO.
06-0107-18

THE CITY OF WINNIPEG
PUBLIC WORKS DEPARTMENT
ENGINEERING SERVICES DIVISION

PROJECT TITLE
2007 ALLEY RENEWAL PROGRAM
McADAM AVE./MATHESON AVE. ALLEY
POWERS ST. TO SALTER ST.
STA. 2+10 TO STA. 2+85.21

SHEET **07** OF **09**
COMPUTER FILE NAME
06-0107-18
CITY DRAWING NUMBER
0007

P:\PROJECTS\2006\06-0107-18\MUN\DWGS\MCADAM\MCADAM_ALLEY-PLAN.DWG
PLOT 1:1 A-1