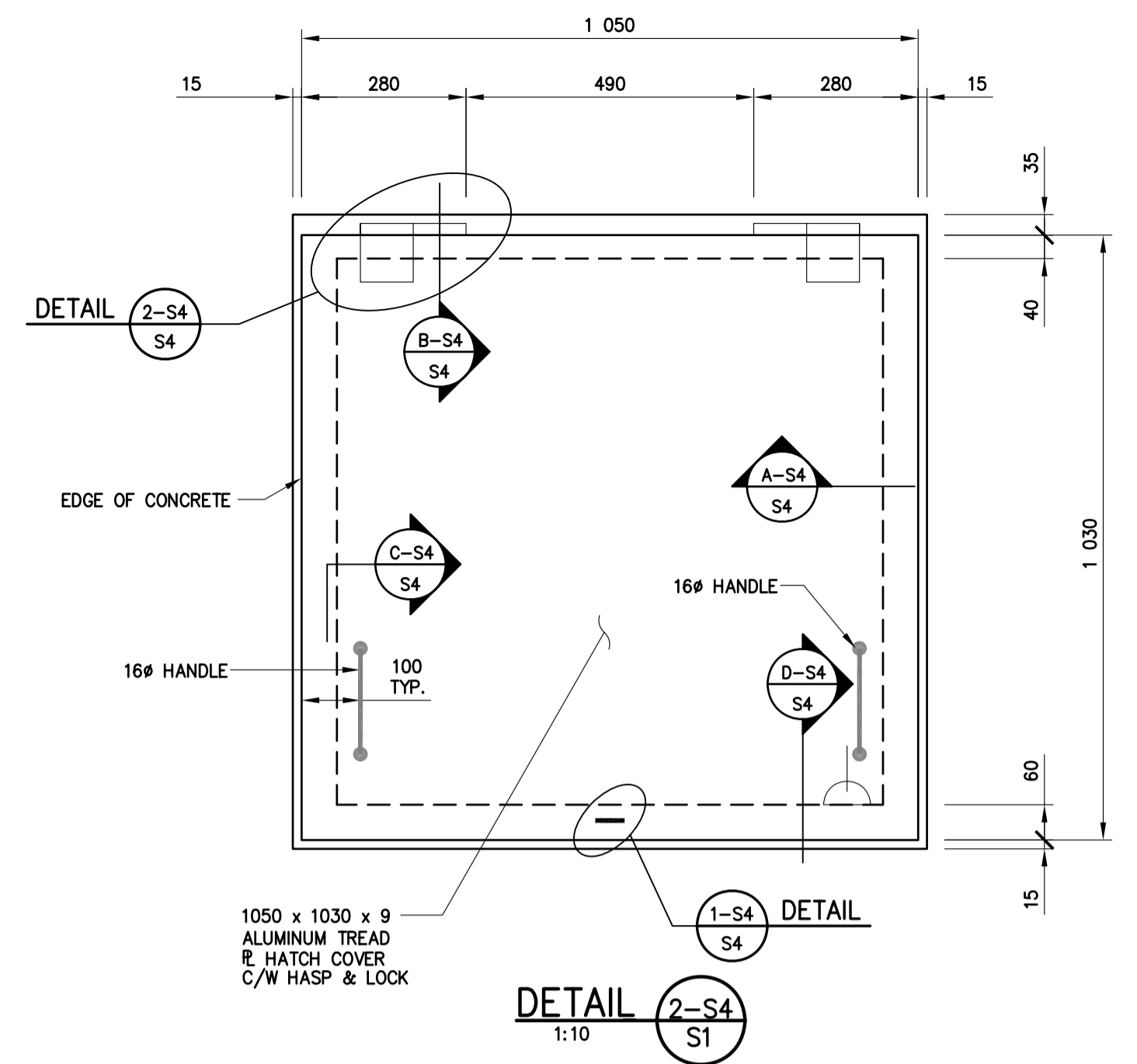
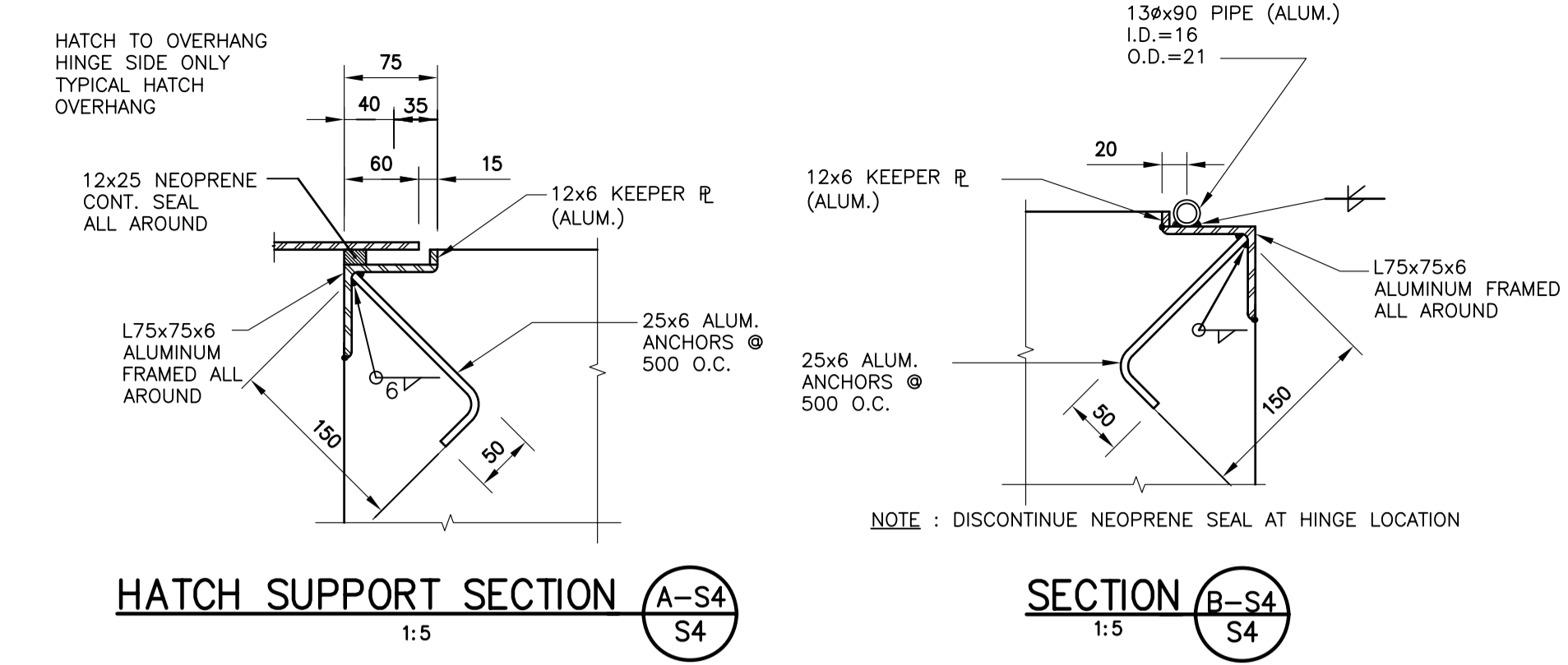


SMALL OPENING REINFORCING DETAIL 1:20

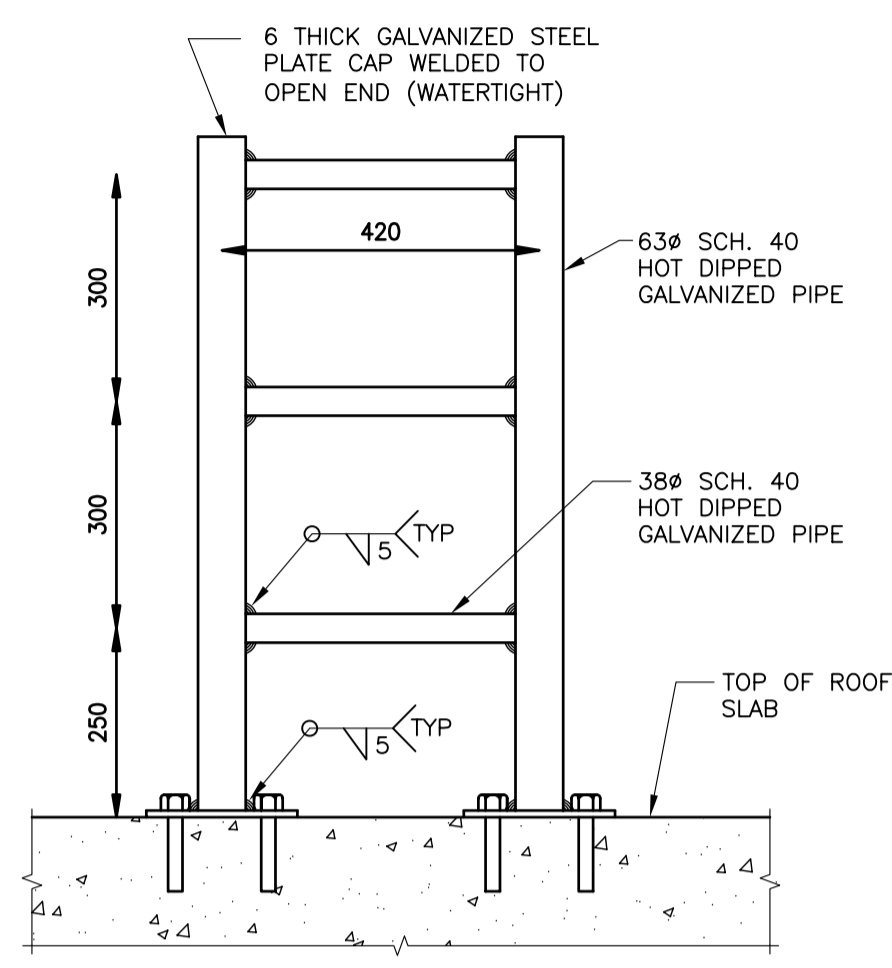


DETAIL 2-S4 S1 1:10



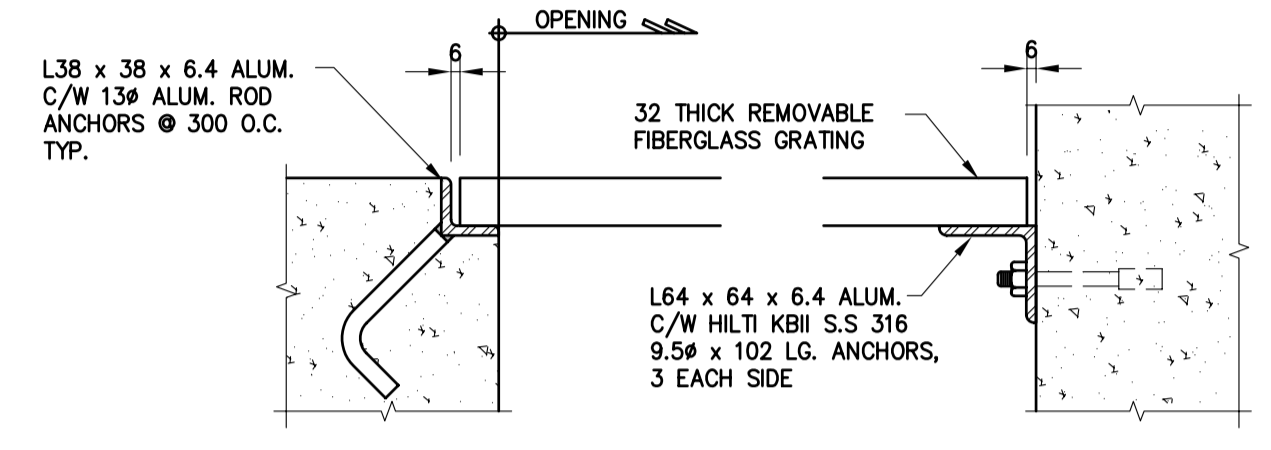
HATCH SUPPORT SECTION A-S4 S4 1:5

SECTION B-S4 S4 1:5

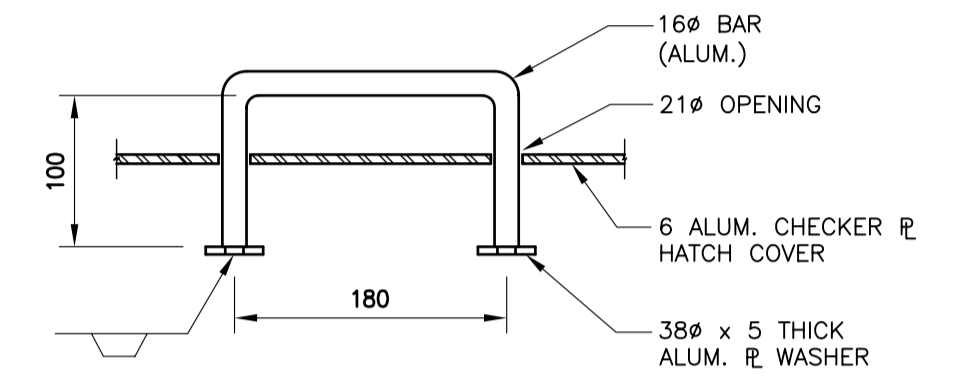


ELEVATION

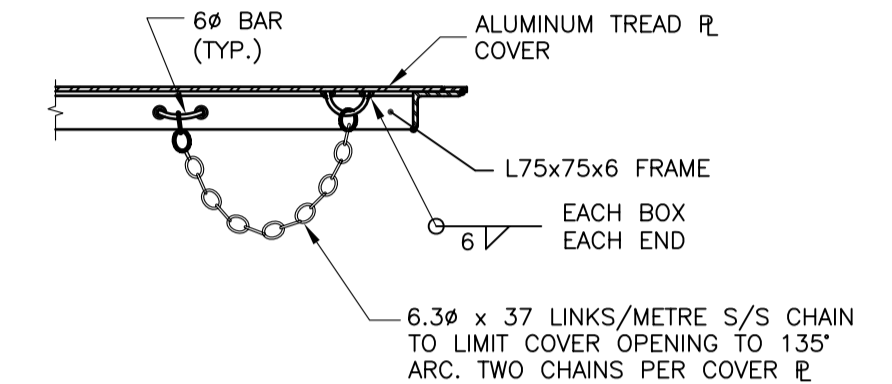
HAND HOLD DETAIL 3-S4 S1 1:10



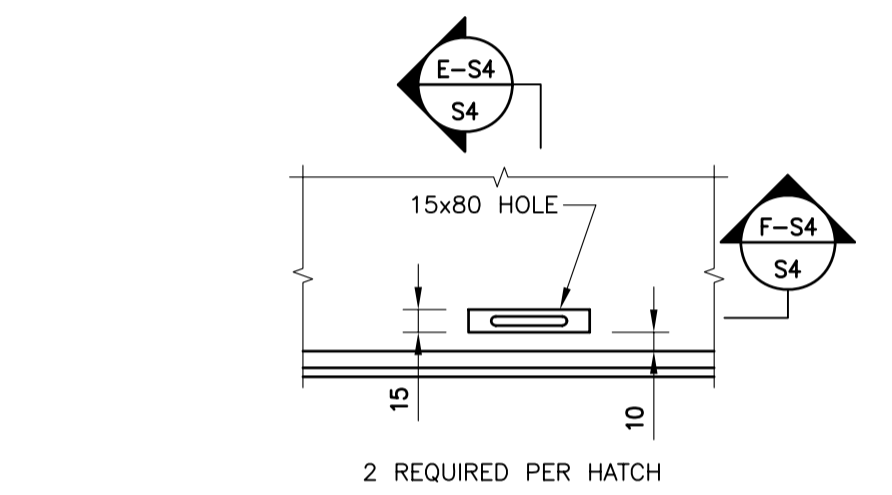
SUMP PIT GRATING DETAIL 2-S4 S2 1:5



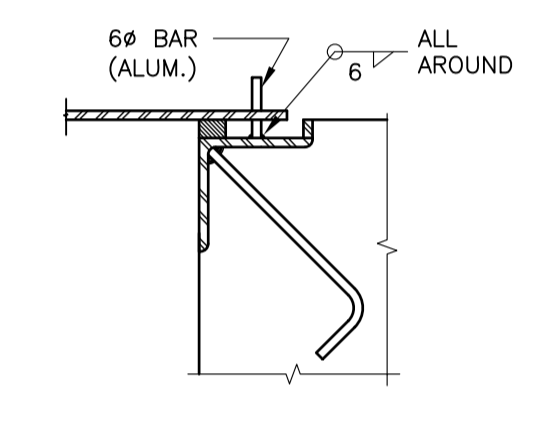
SECTION C-S4 S4 1:5



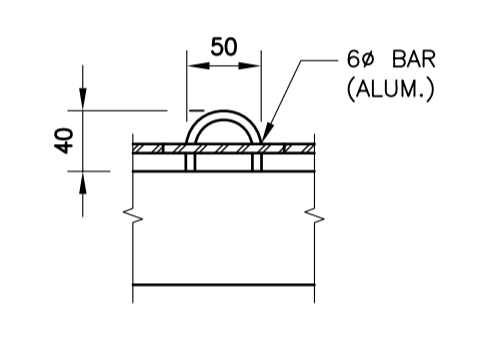
SECTION D-S4 S4 1:10



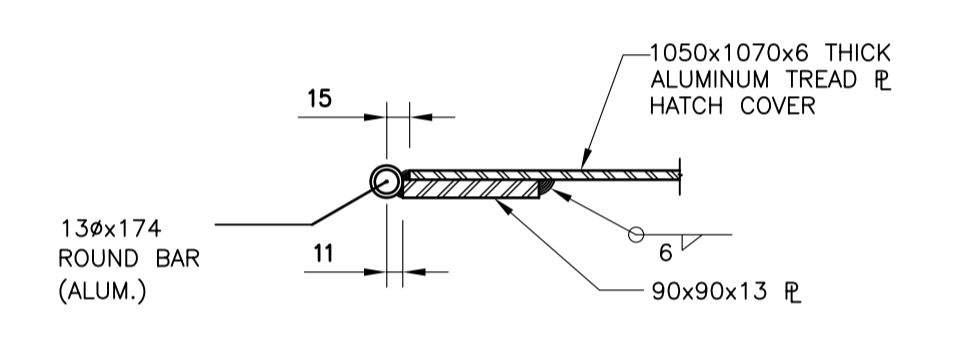
HATCH LOCK HASP PLAN 1-S4 S4 1:5



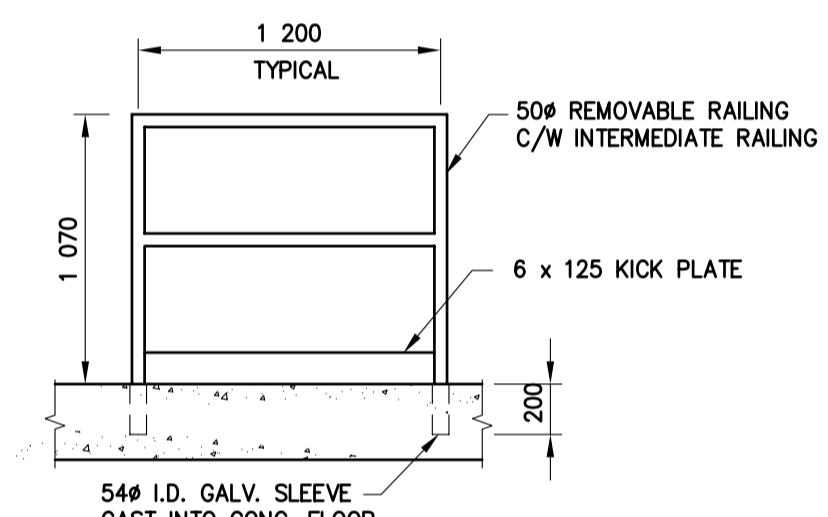
SECTION E-S4 S4 1:5



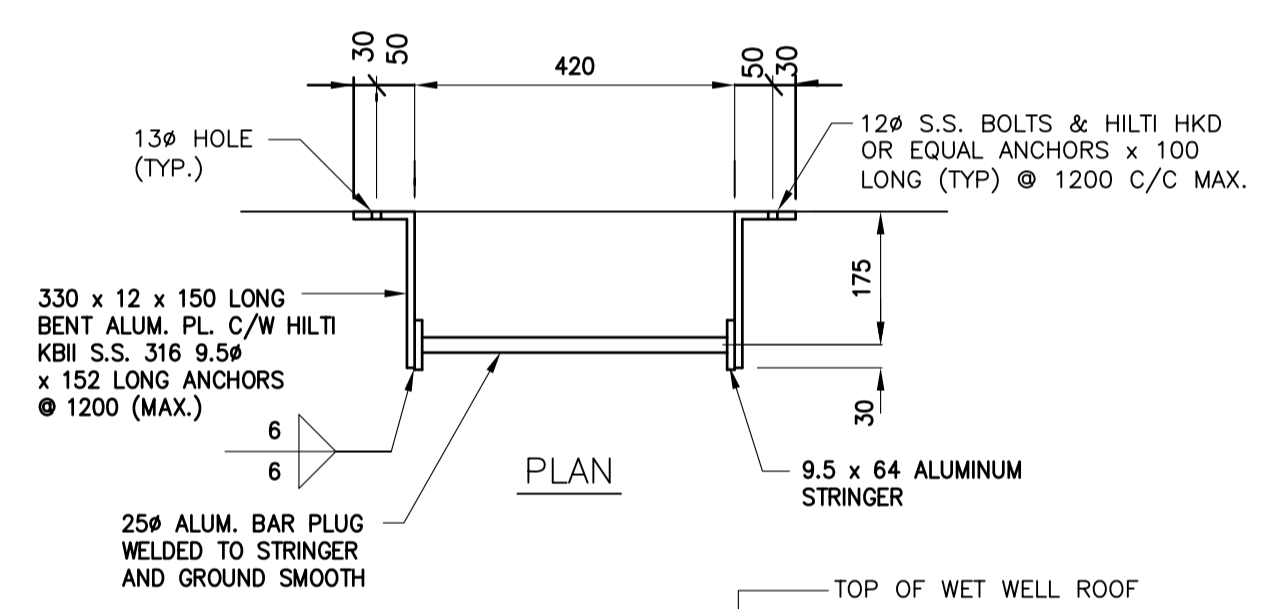
SECTION F-S4 S4 1:5



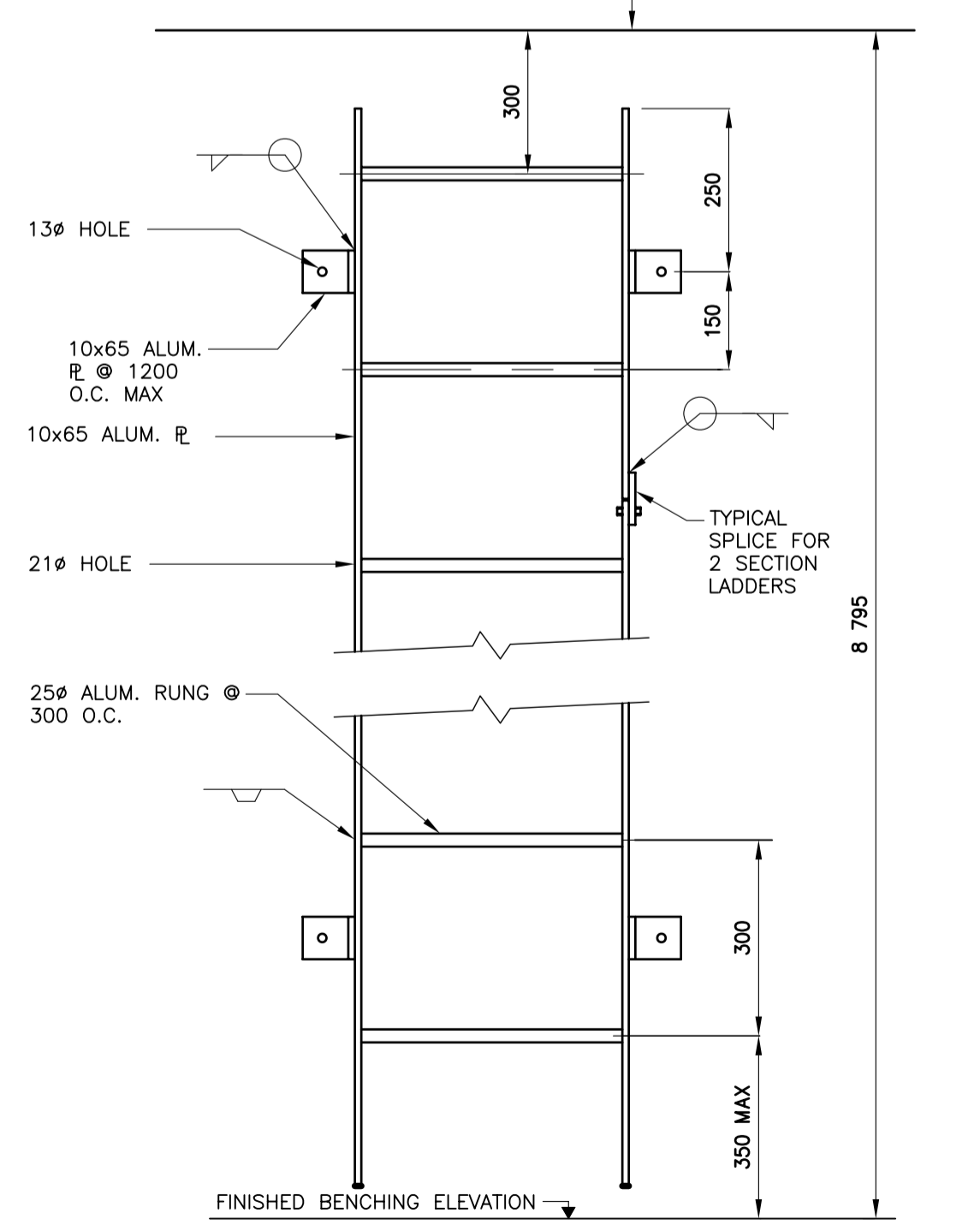
SECTION G-S4 S4 1:5



REMOVABLE RAILING DETAIL 1:30

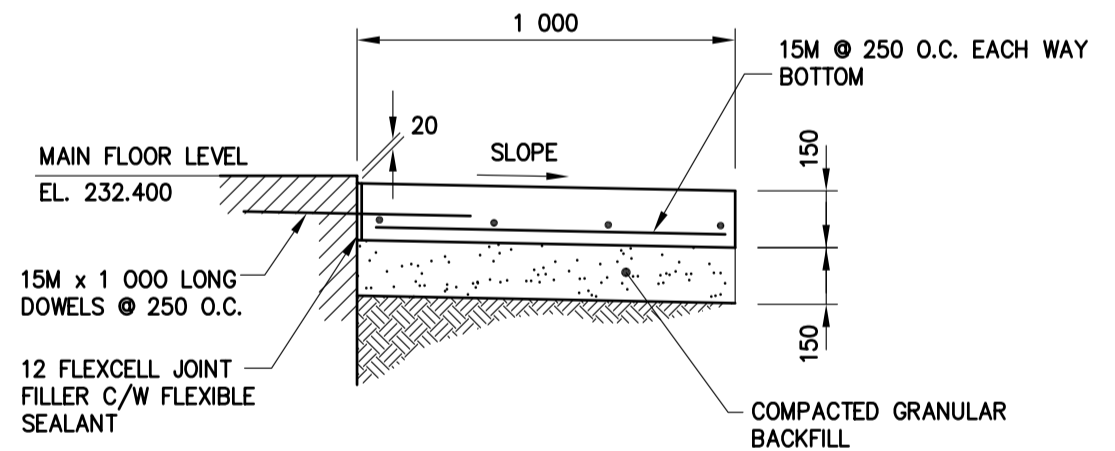


PLAN

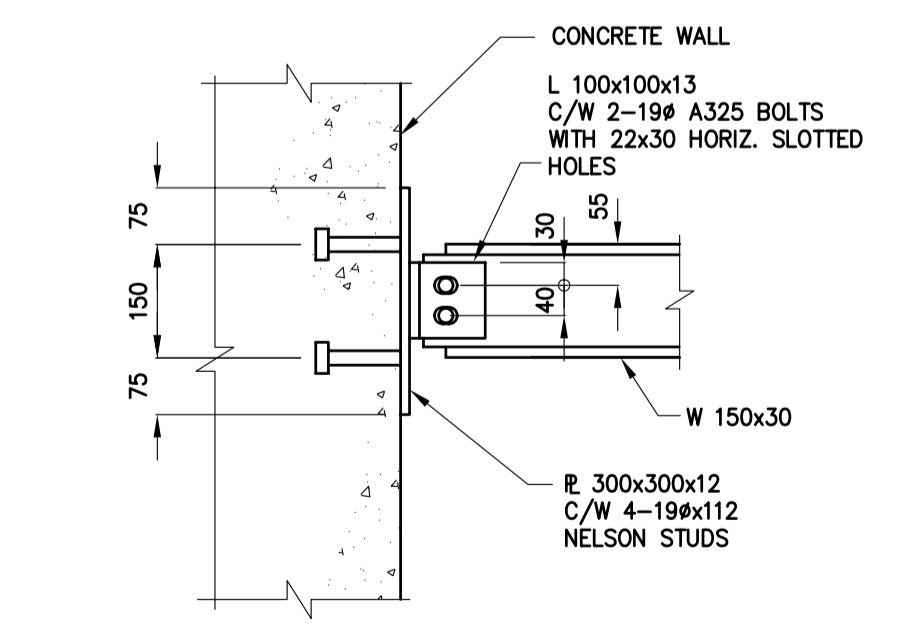


ELEVATION

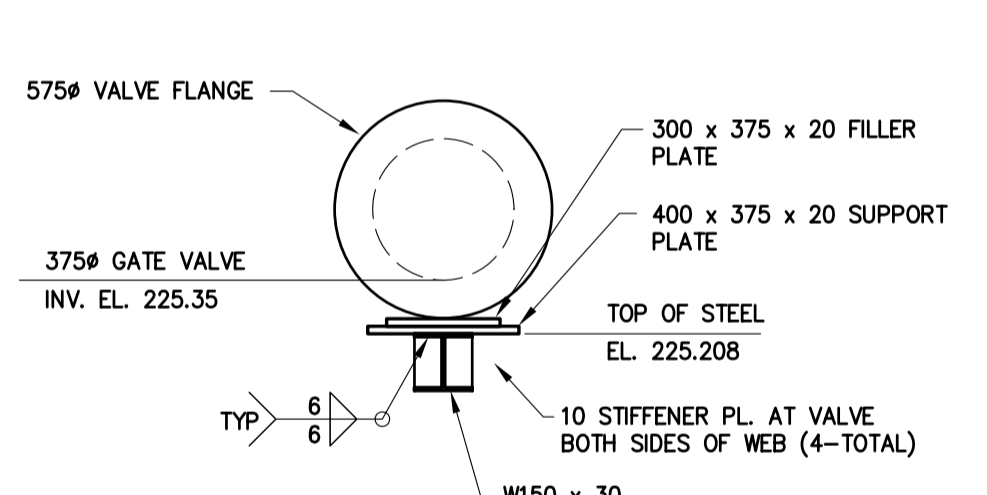
LADDER DETAIL 1-S4 S1 1:10



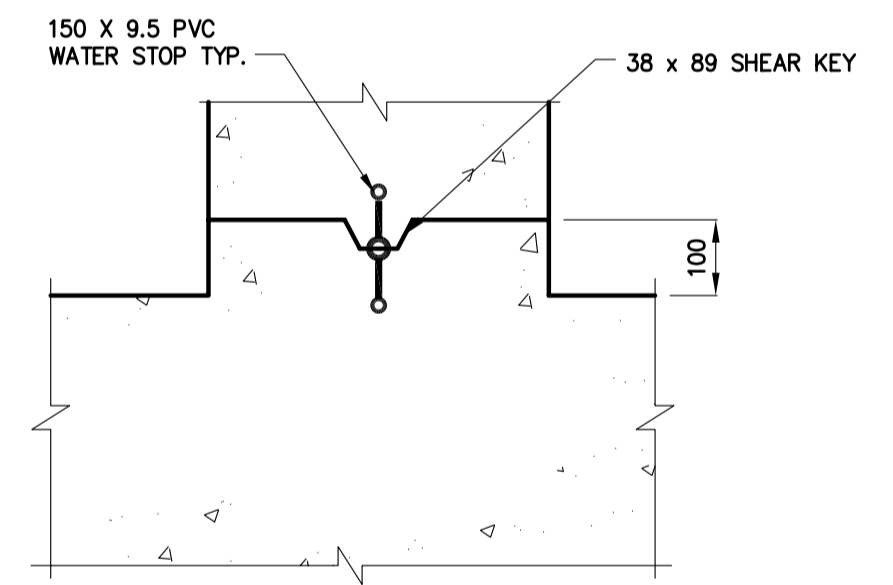
SECTION B-S4 S1 1:20



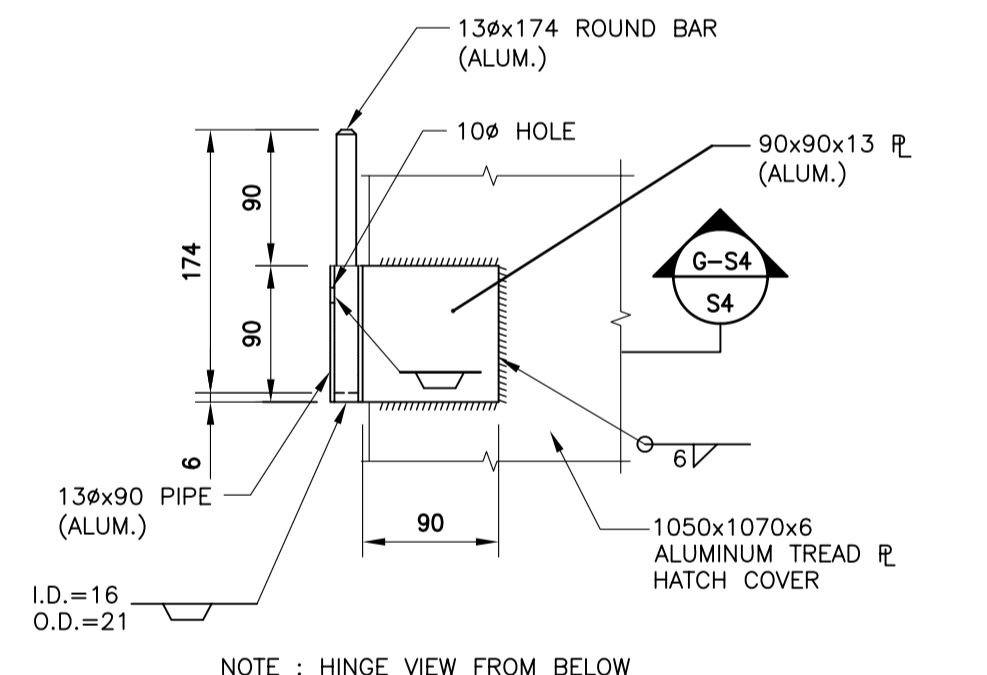
WET WELL BEAM CONNECTION DETAIL 1:10



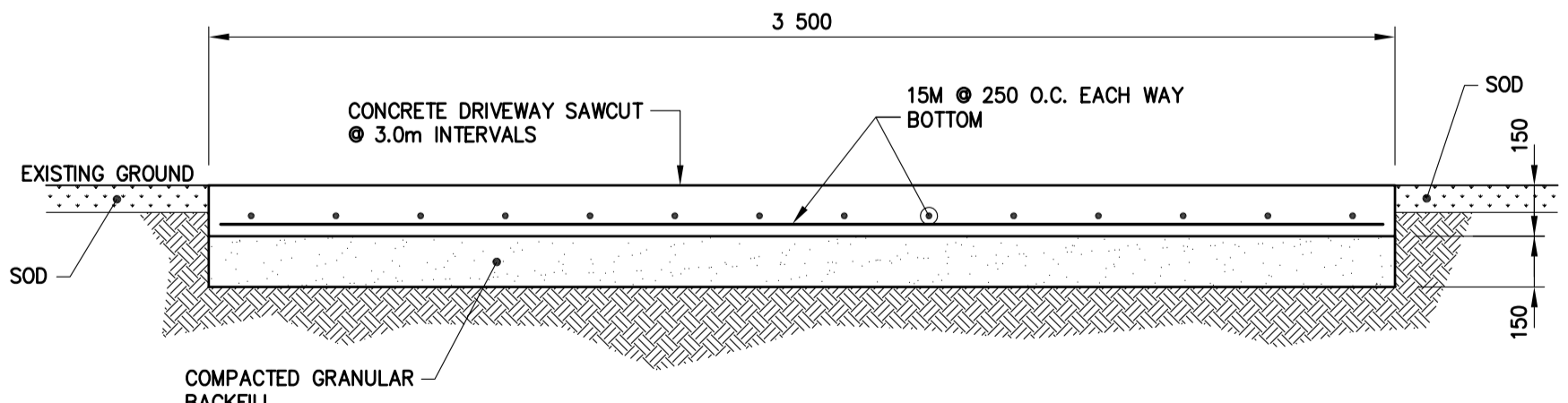
DETAIL 3-S4 S2 1:20



DETAIL 1-S4 S2 1:10



DETAIL 2-S4 S4 2:1



SECTION THROUGH DRIVEWAY 1:20



**METRIC**

WHOLE NUMBERS INDICATE MILLIMETRES  
DECIMALIZED NUMBERS INDICATE METRES

A-B  
C

A = DETAIL/SECTION No.  
B = DRAWING WHERE SHOWN  
C = DRAWING WHERE TAKEN

DESIGNED BY GK		CHECKED BY JPL	
DRAWN BY TR		APPROVED BY -	
HOR. SCALE VERTICAL AS SHOWN		RELEASED FOR CONSTRUCTION SIGNED BY K. ZUREK	
DATE 2008 02 11		DATE 08/02/13	
NO.	REVISIONS	DATE	BY
1	-	-	-

ENGINEER'S SEAL

ORIGINAL SIGNED BY G.M. KING 08/02/11

BID OPPORTUNITY 892-2007

PLOT DATE: 2008 02 11

**THE CITY OF WINNIPEG**  
WATER AND WASTE DEPARTMENT

**Winnipeg**

**DUGALD ROAD WASTEWATER PUMPING STATION**

MISCELLANEOUS STRUCTURAL DETAILS

CONSULTANT DRAWING NUMBER S4

SHEET 12 OF 14

CITY DRAWING NUMBER 7511

Feb 13, 2008 - 2:14pm  
P: 41890 - 41899 V1846  
Dugald Road Pumping Station Drawings V1846 Dugald Pumping Station 080213.dwg -misc-DETAILS