

SECTION

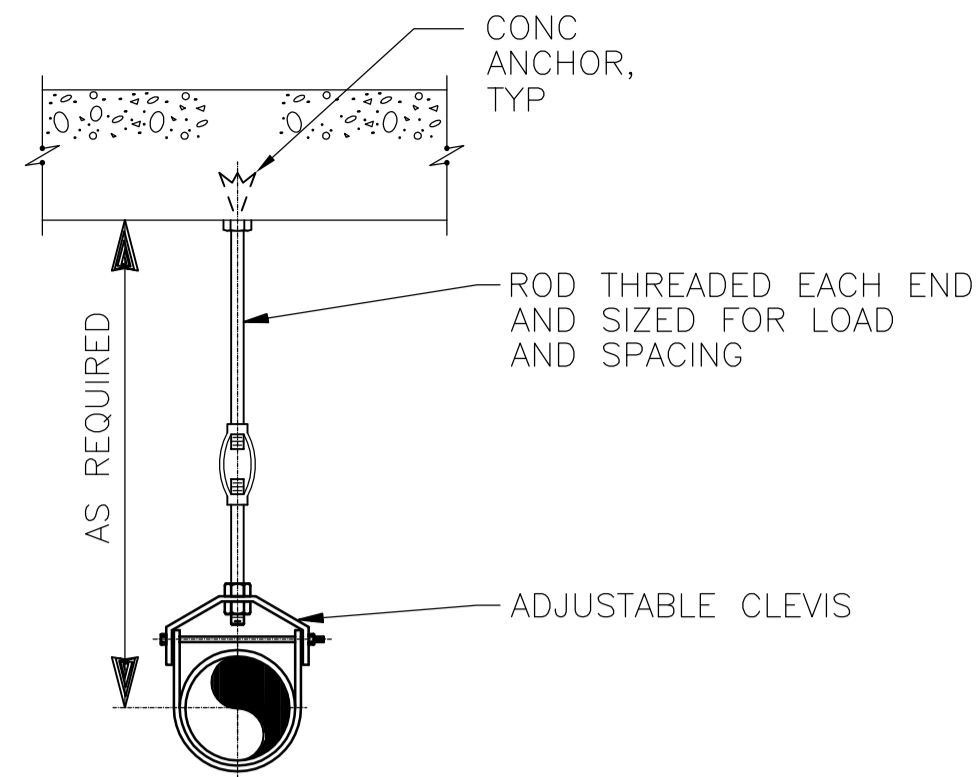
PLAN

NOTES:

- 1. USE 316 SST FOR PIPE CLAMP AND STRAP

1 **DETAIL** OFFSET PIPE CLAMP

NTS

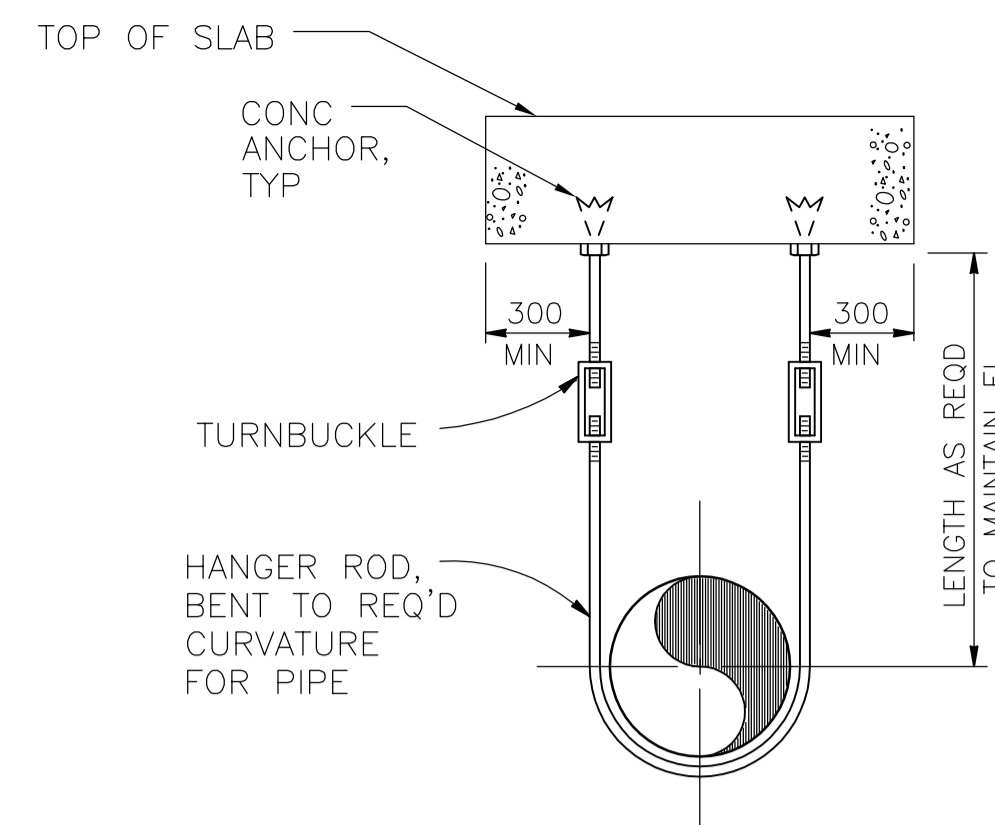


NOTES:

- 1. USE 316 SST FOR PIPE HANGERS AND RODS.

2 **DETAIL** PIPE HANGER

NTS

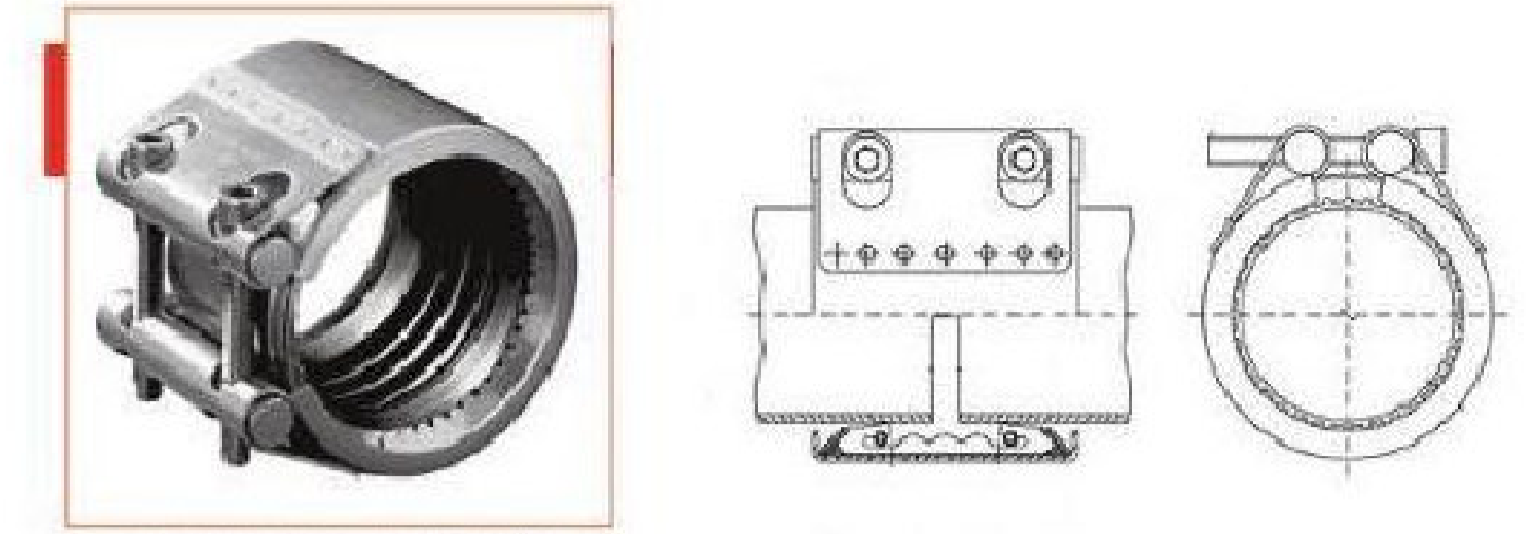


NOTES:

- 1. USE 316 SST FOR PIPE HANGERS.

3 **DETAIL** PIPE HANGER

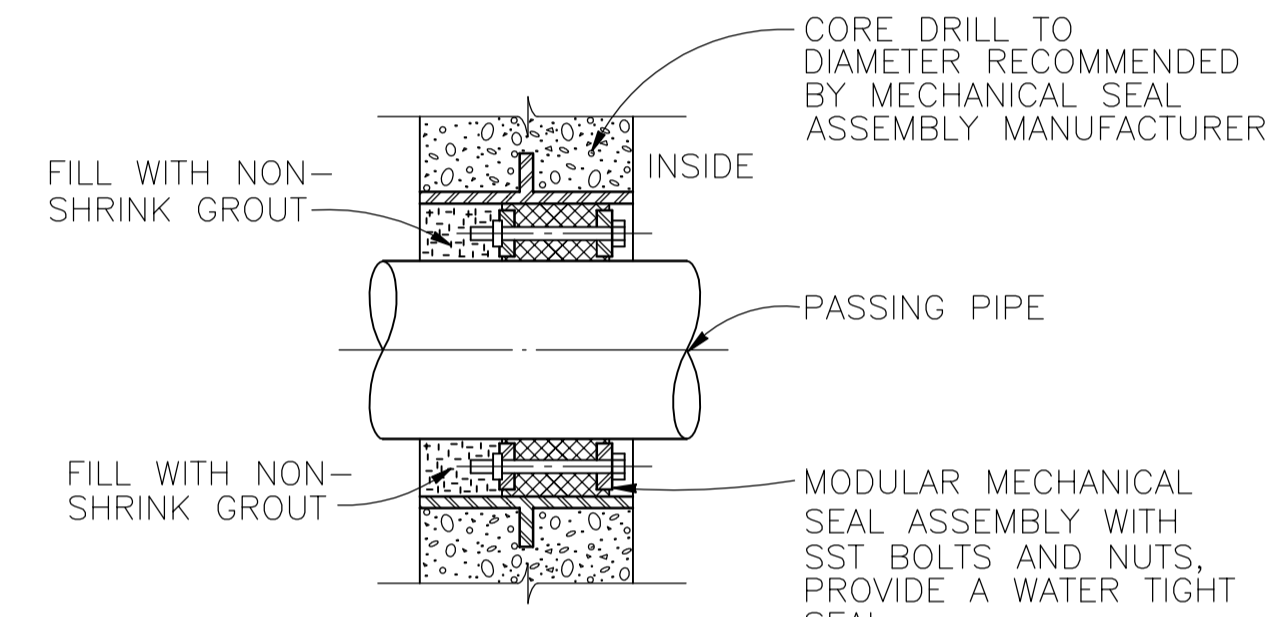
NTS



Axial-restraint Pipe Coupling

STRAUB GRIP CONNECTION COUPLING
STAINLESS STEEL

4 **DETAIL** NTS

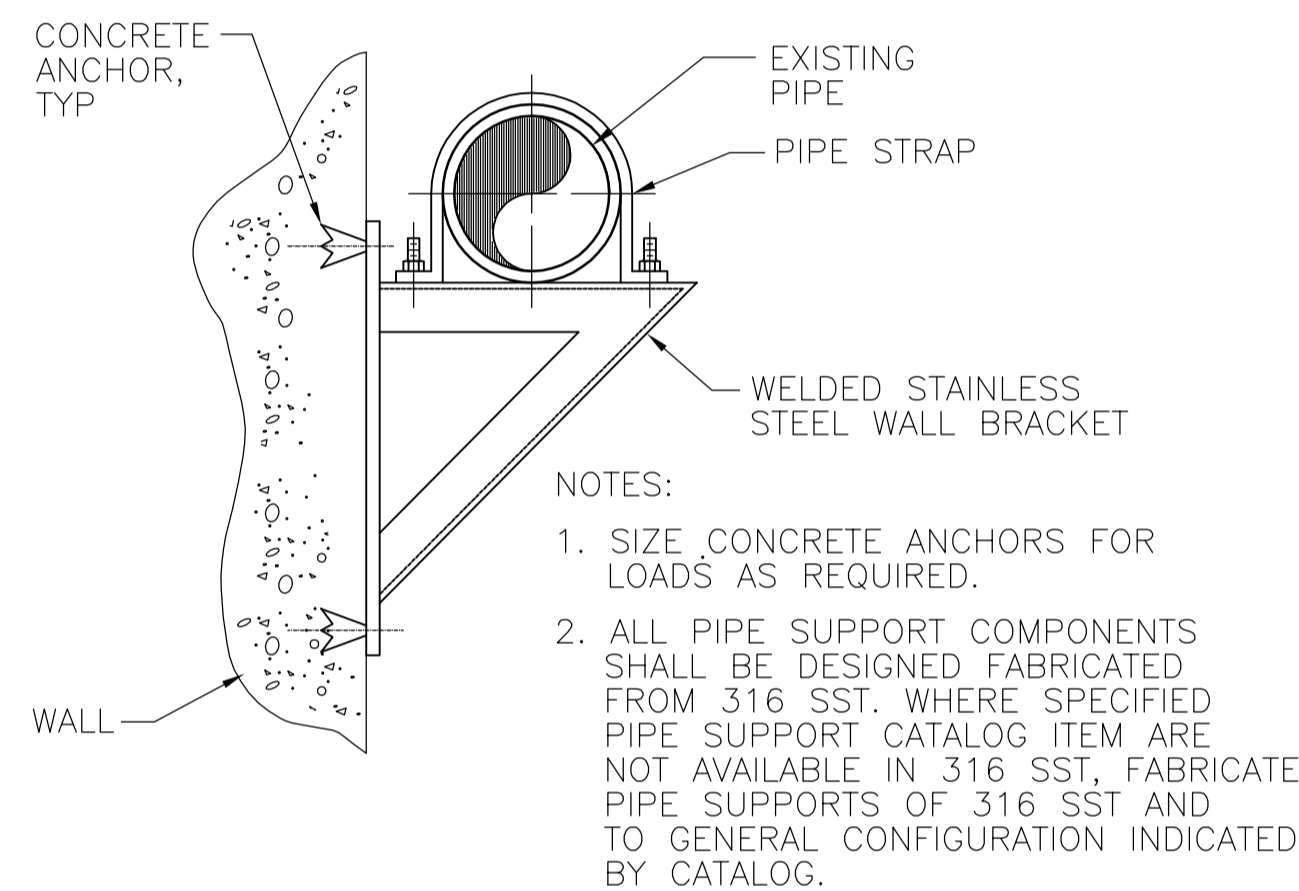


NOTE:

IF CORE DRILLED OPENING IS SMOOTH STEEL WALL PIPE IS NOT REQUIRED.

WALL PENETRATION SEAL

5 **DETAIL** NTS

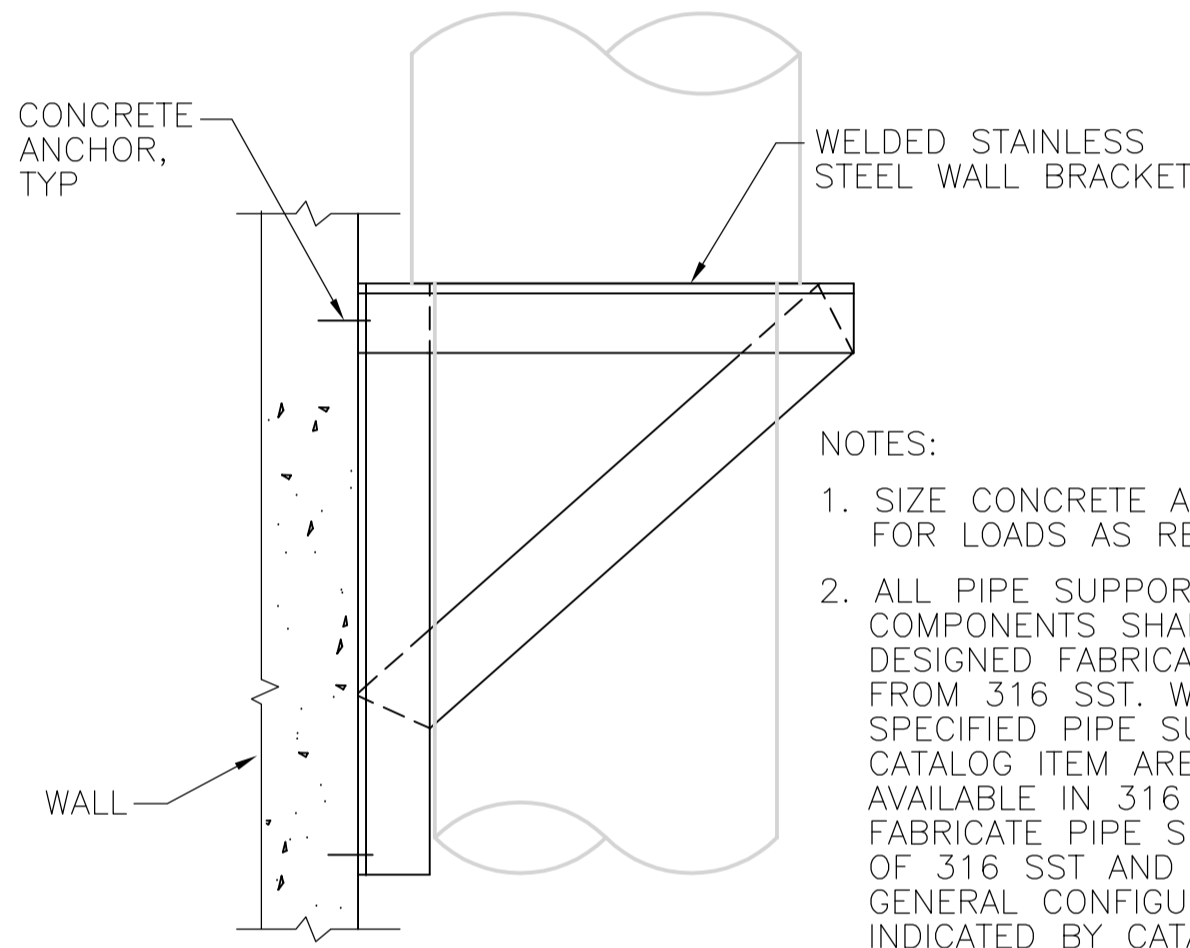


NOTES:

- 1. SIZE CONCRETE ANCHORS FOR LOADS AS REQUIRED.
- 2. ALL PIPE SUPPORT COMPONENTS SHALL BE DESIGNED FABRICATED FROM 316 SST. WHERE SPECIFIED PIPE SUPPORT CATALOG ITEM ARE NOT AVAILABLE IN 316 SST, FABRICATE PIPE SUPPORTS OF 316 SST AND TO GENERAL CONFIGURATION INDICATED BY CATALOG.

PIPE SUPPORT - WALL MOUNTED

6 **DETAIL** NTS

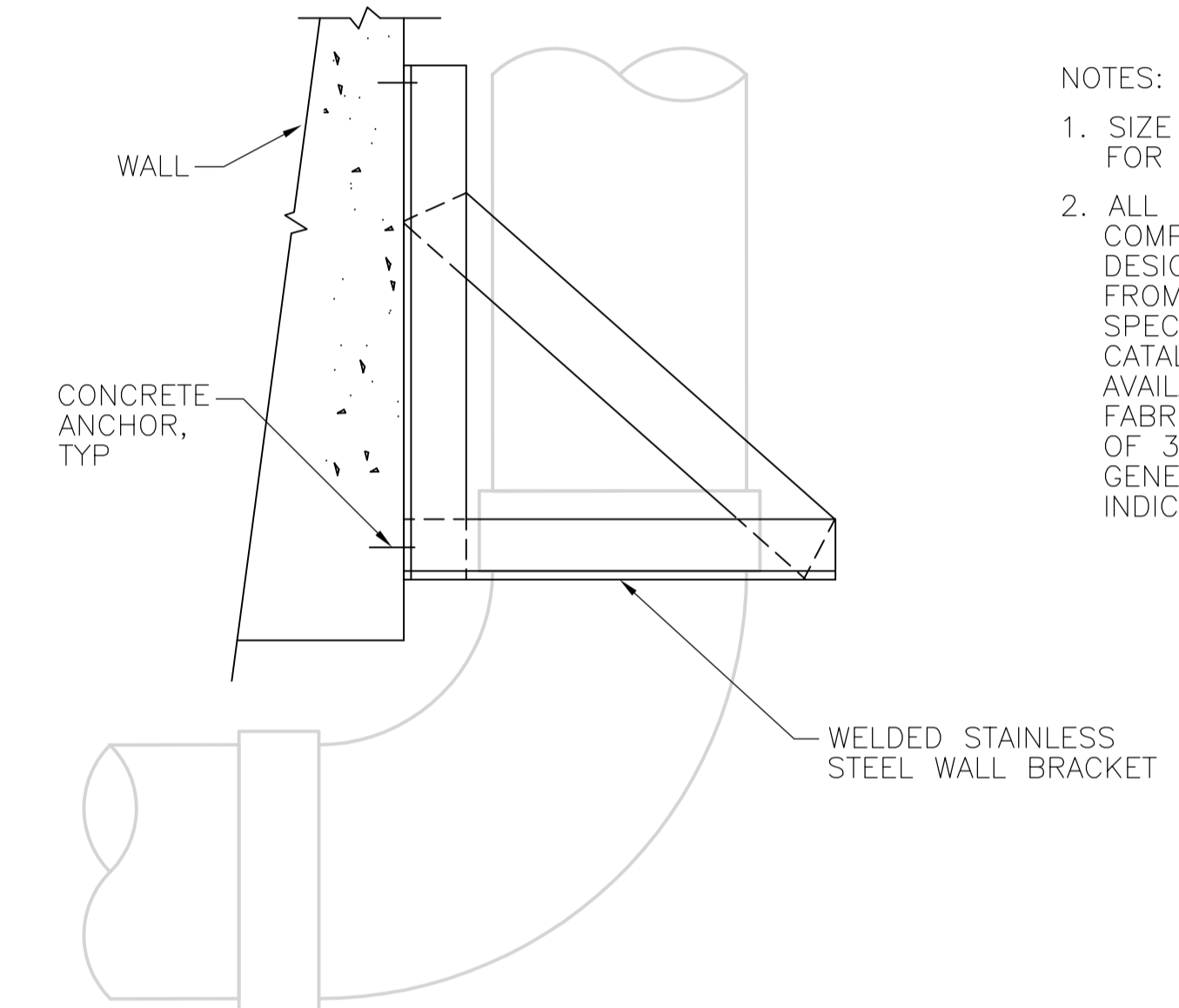


NOTES:

- 1. SIZE CONCRETE ANCHORS FOR LOADS AS REQUIRED.
- 2. ALL PIPE SUPPORT COMPONENTS SHALL BE DESIGNED FABRICATED FROM 316 SST. WHERE SPECIFIED PIPE SUPPORT CATALOG ITEM ARE NOT AVAILABLE IN 316 SST, FABRICATE PIPE SUPPORTS OF 316 SST AND TO GENERAL CONFIGURATION INDICATED BY CATALOG.

BRACKET FOR SINGLE PIPE APPLICATIONS

7 **DETAIL** NTS

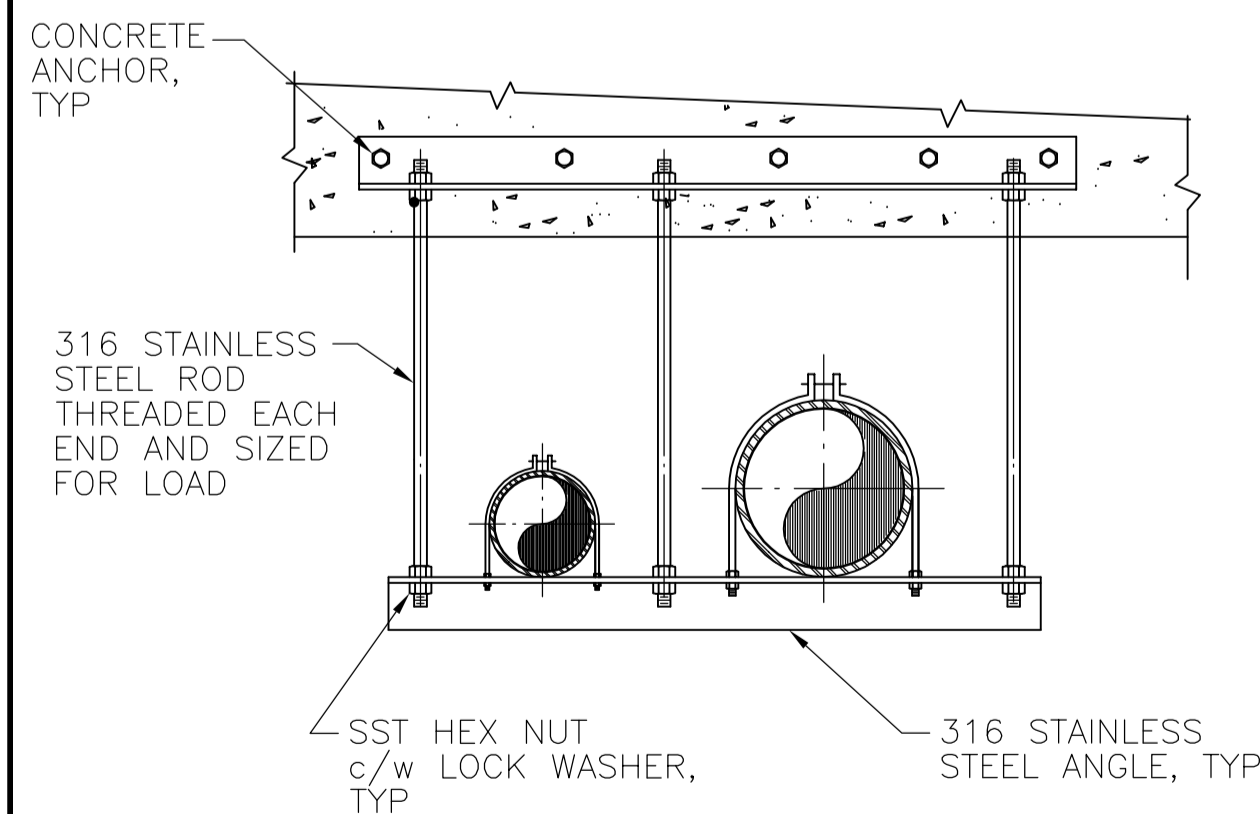


NOTES:

- 1. SIZE CONCRETE ANCHORS FOR LOADS AS REQUIRED.
- 2. ALL PIPE SUPPORT COMPONENTS SHALL BE DESIGNED FABRICATED FROM 316 SST. WHERE SPECIFIED PIPE SUPPORT CATALOG ITEM ARE NOT AVAILABLE IN 316 SST, FABRICATE PIPE SUPPORTS OF 316 SST AND TO GENERAL CONFIGURATION INDICATED BY CATALOG.

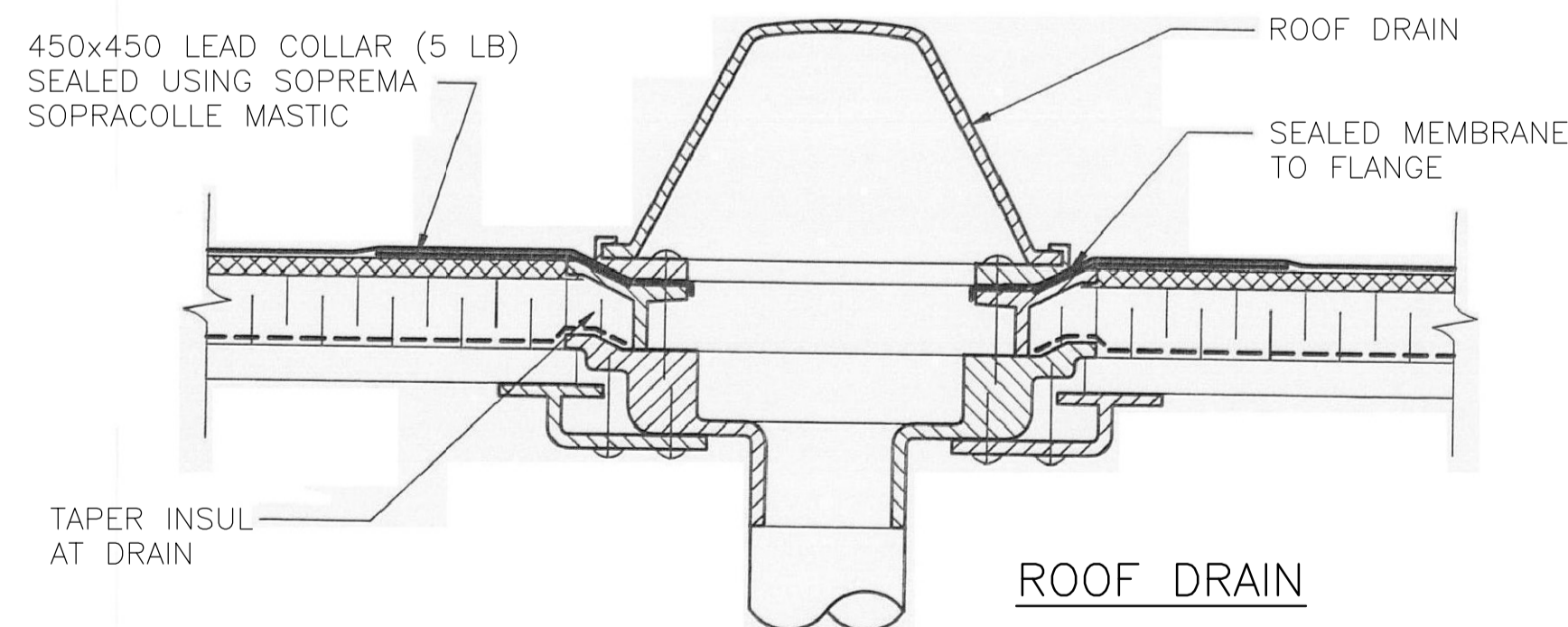
BRACKET FOR SINGLE PIPE APPLICATIONS

8 **DETAIL** NTS



PIPE SUPPORT

9 **DETAIL** NTS



10 **DETAIL** NTS

APEGM
Certificate of Authorization
CH2M HILL Canada Ltd.
No. 1441 Expiry: April 30, 2008

B.M. ELEV.	FIELD BOOK #:
POSTED TO LBIS	
DESIGNED BY S.ARDAKANI	CHECKED BY J.BRANDKVIST
DRAWN BY P.KWONG	APPROVED BY E.SHARP
HOR. SCALE NTS	RELEASED FOR CONSTRUCTION K. ZUREK
VERTICAL	DATE 2007/11/29
0 ISSUED FOR TENDER 07/11/28 PK	
NO. REVISIONS	DATE BY
DATE 2007 06 00	

CH2MHILL

ENGINEER'S SEAL

ORIGINAL SIGNED BY
E.J. SHARP

2007/11/28

PROJECT No.: 358676

PLOT DATE: 2007/11/28



THE CITY OF WINNIPEG
WATER AND WASTE DEPARTMENT

NORTH END WATER
POLLUTION CONTROL CENTRE
WET WELL REHABILITATION
PROCESS MECHANICAL
PIPING STANDARD DETAILS

SHEET 19 OF 24
CONSULTANT DRAWING NUMBER
P0004
CITY DRAWING NUMBER
1-0101M-P-
P0003-001-00D