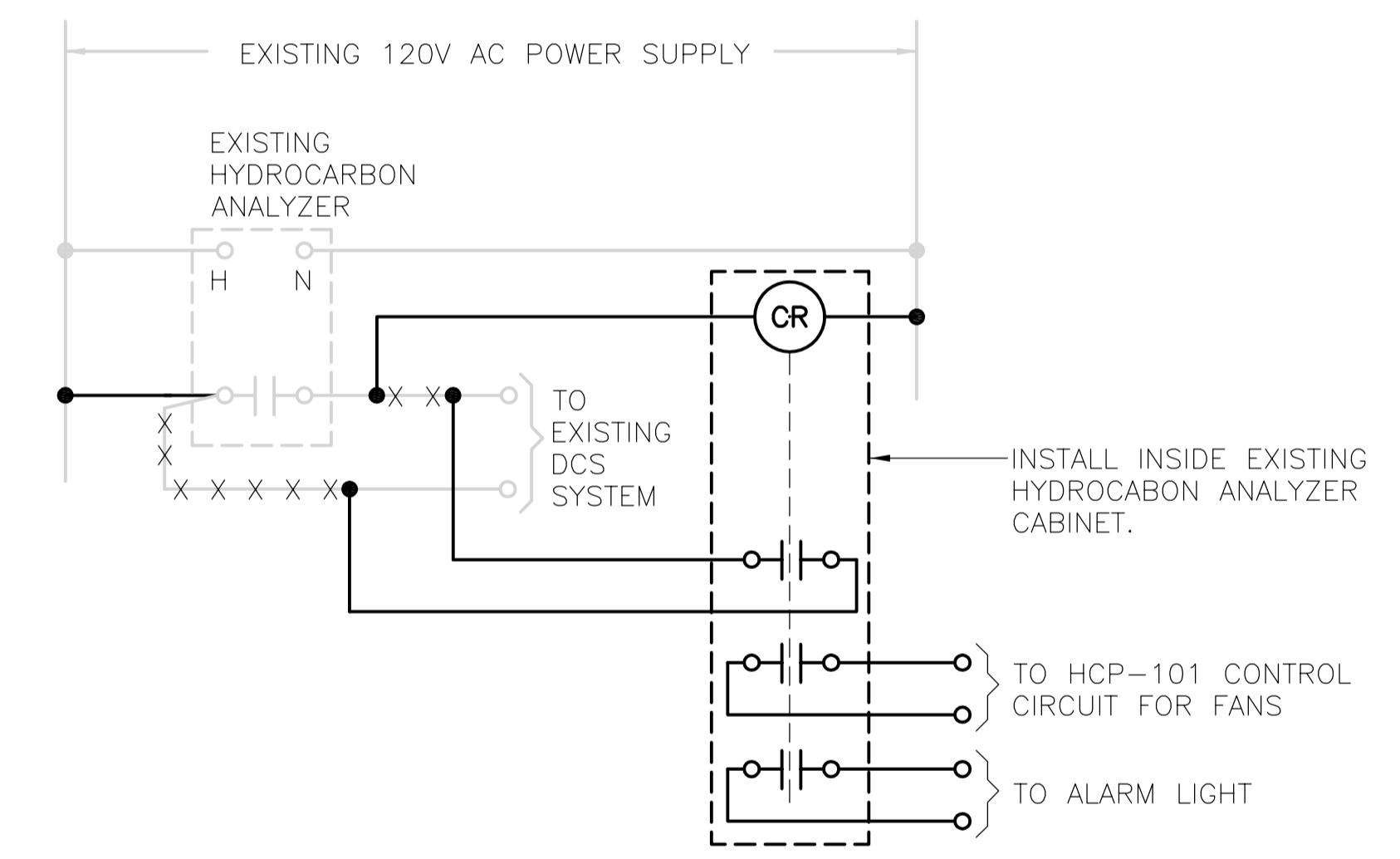


NOTES:

1. FOR CONTROLS AND SEQUENCE OF OPERATIONS, SEE MECHANICAL SPECIFICATION.
2. WALL MOUNT MUA-101 REMOTE CONTROL PANEL, MAU-101 AND EF-102 VFD DRIVES IN EXISTING PUMP/BOILER ROOM.
3. MAU-101 GAS BURNER CABINET SHALL BE MOUNTED WITHIN MAKE-UP AIR UNIT ENCLOSURE.
4. LOCATION SHALL BE COORDINATED IN THE FIELD.
5. NUMBER AND SIZES OF CONDUCTORS AND CONDUITS TO MISCELLANEOUS EQUIPMENT/DEVICES SHALL BE COORDINATED IN THE FIELD.
6. PROVIDE NON-FUSIBLE DISCONNECT SWITCH COOPER CROUSE-HINDS CAT. # N2RS603 OR APPROVED EQUAL, SUITABLE FOR OUTDOOR AND CORROSIVE ENVIRONMENT. DISCONNECT SWITCH SHALL BE COMPLETE WITH AUXILIARY CONTACT THAT OPENS BEFORE MAIN BLADES OPEN AND CLOSES AFTER MAIN BLADES CLOSED.
7. CONTRACTOR TO INVESTIGATE IN THE FIELD IF EXISTING HYDROCARBON ANALYZER HAS AVAILABLE AUXILIARY CONTACTS AS SHOWN. IF NO SPARE CONTACTS AVAILABLE, CONTRACTOR SHALL PROVIDE A CONTROL RELAY AND WIRE AS SHOWN BELOW.



EXISTING HYDROCARBON ANALYZER MODIFICATION

LEGEND:

- DENOTES EXISTING
- X-X-X- DENOTES EXISTING TO BE REMOVED
- DENOTES NEW

MAKE-UP AIR UNIT AND EXHAUST FAN INTERCONNECTION WIRING DIAGRAM

APCGM
 Certificate of Authorization
 CH2M HILL Canada Ltd.
 No. 1441 Expiry: April 30, 2008

B.M. ELEV.	FIELD BOOK #:
POSTED TO LBIS	
DESIGNED BY	R.BATAC
CHECKED BY	J.LAUFRERS
DRAWN BY	R.BATAC
APPROVED BY	E.SHARP
HOR. SCALE	NTS
RELEASED FOR CONSTRUCTION	K. ZUREK
VERTICAL	
DATE	2007 06 20
DATE	2007/11/29
NO.	REVISIONS
0	ISSUED FOR TENDER 07/11/28 RB

CH2MHILL

ENGINEER'S SEAL
 ORIGINAL SIGNED BY
 J.R. LAUFERS
 2007/11/28

PROJECT No.: 358676
 PLOT DATE: 2007/11/28

THE CITY OF WINNIPEG
 WATER AND WASTE DEPARTMENT

Winnipeg

NORTH END WATER POLLUTION CONTROL CENTRE
WET WELL REHABILITATION
 ELECTRICAL
 POWER DISTRIBUTION & WIRING DIAGRAMS

SHEET 21 OF 24
 CONSULTANT DRAWING NUMBER E0002
 CITY DRAWING NUMBER 1-0101M-H-E0001-000-00D