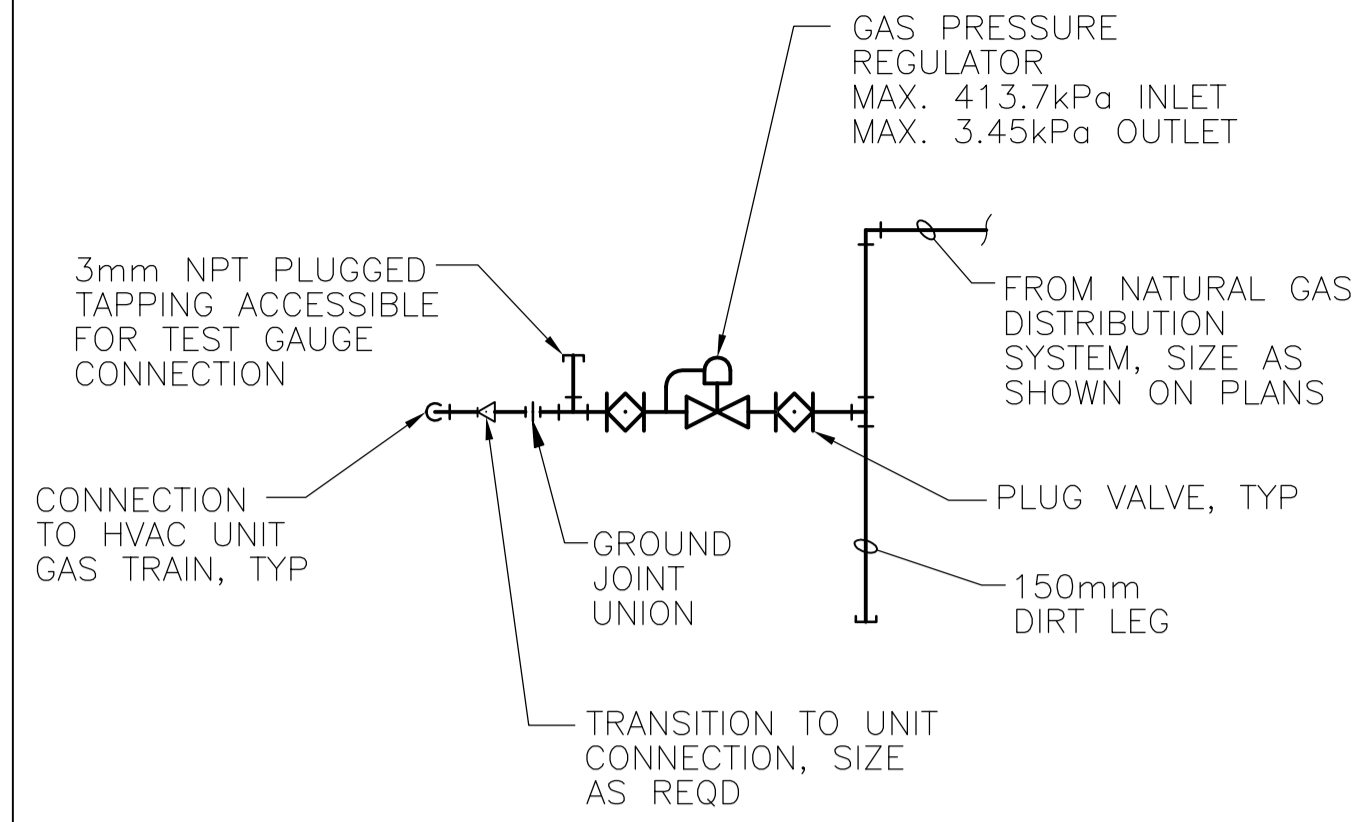


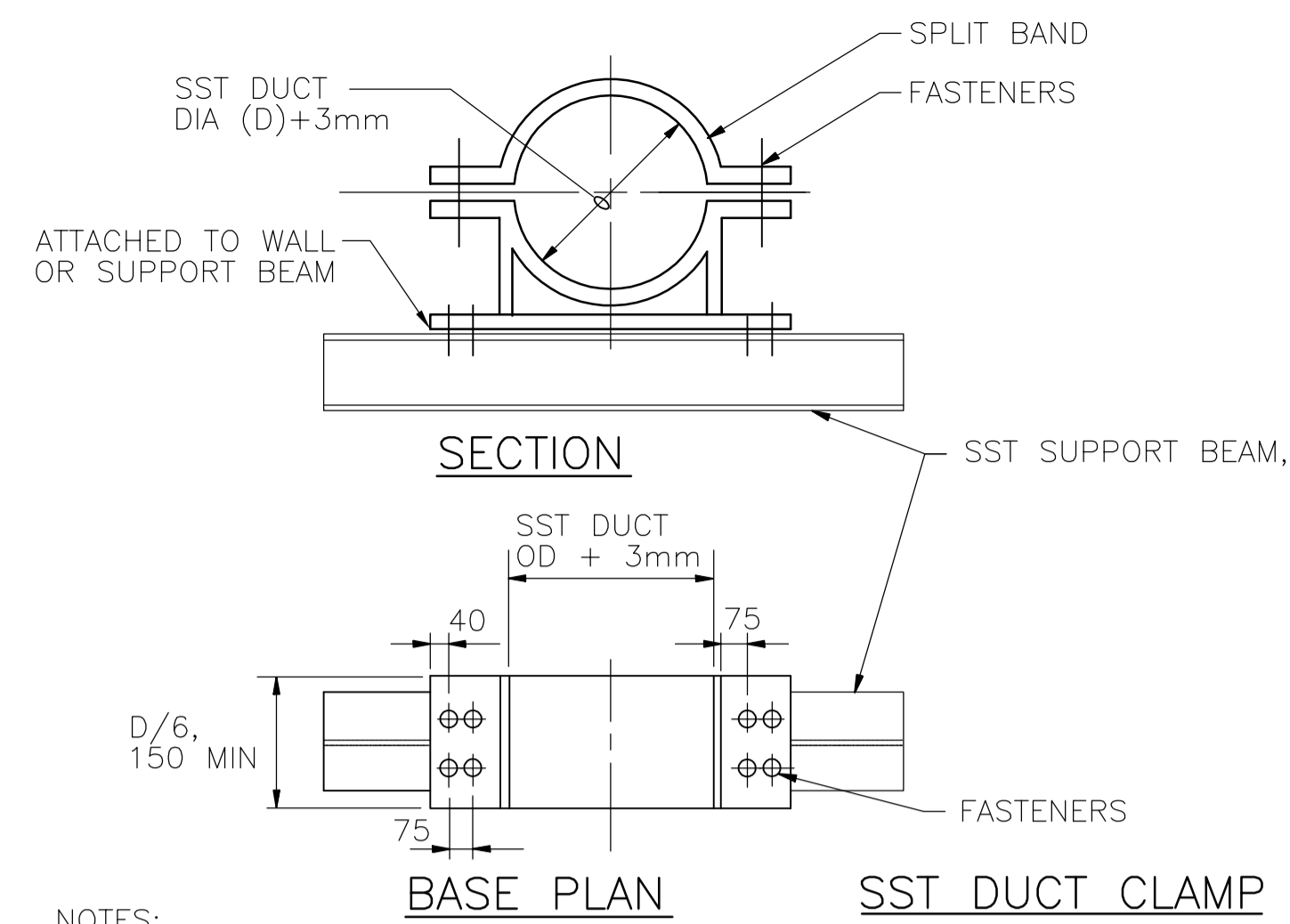
DUCT WALL PENETRATION

1 DETAIL
NTS



NATURAL GAS-FIRED EQUIPMENT CONNECTION

2 DETAIL
NTS

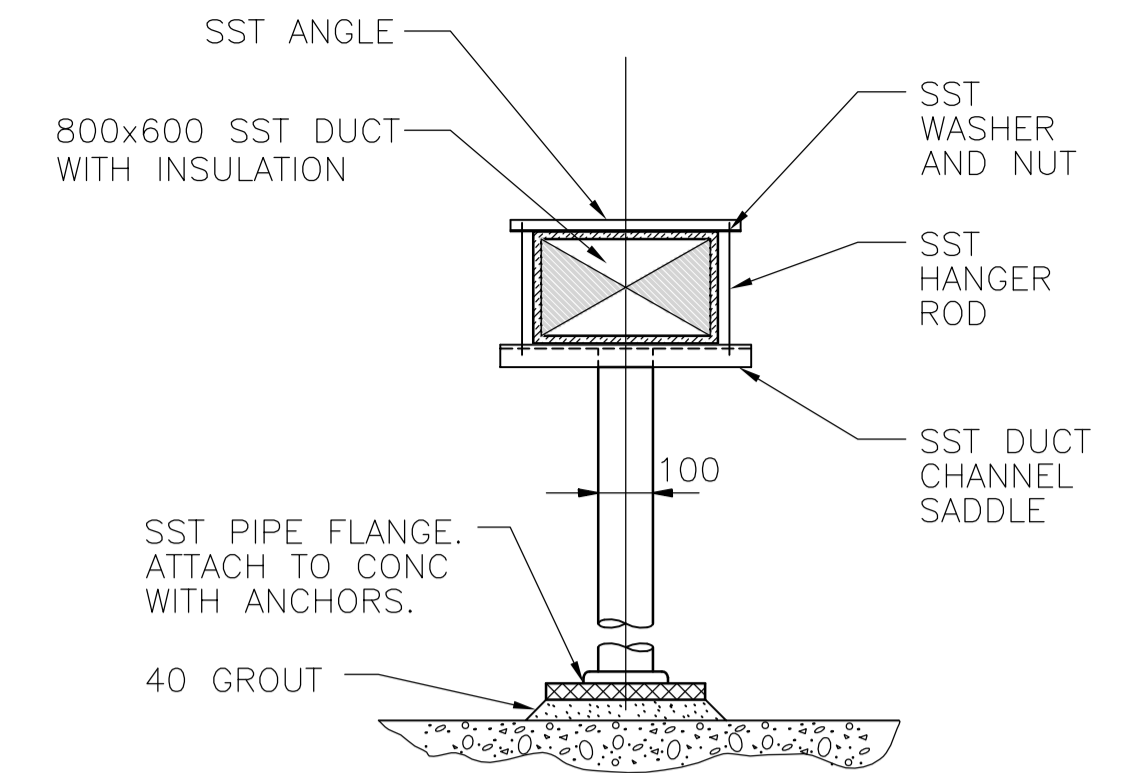


NOTES:

1. PROVIDE TYPE 316 SST BOLTS, NUTS & WASHERS AS INDICATED IN TABLE.
2. DUCT SPLIT BAND, FASTENERS AND SUPPORT IN ACCORDING WITH SMACNA INDUSTRIAL STANDARD. CONTRACTOR SHALL INSURE THAT DUCT IS INSTALLED AT ELEVATIONS SPECIFIED ON DWGS.

DUCT DIA.	PLATE (T)	BOLTS (20mm)
< 900	6mm MIN	2 EA SIDE
> 900	10mm MIN	4 EA SIDE

3 DETAIL
NTS

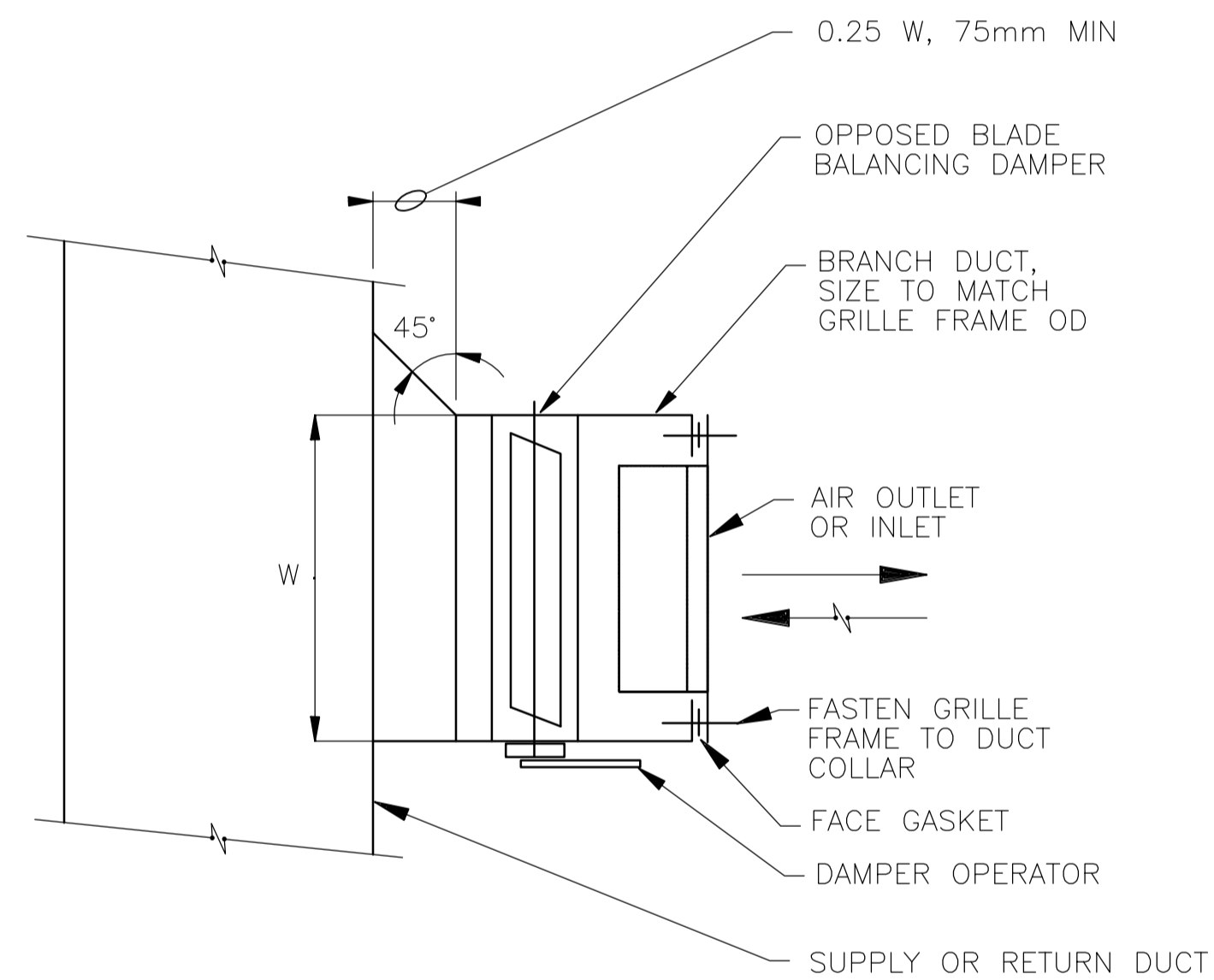


NOTES:

1. PROVIDE TYPE 316 SST BOLTS, NUTS & WASHERS AS INDICATED IN TABLE.
2. DUCT SPLIT BAND, FASTENERS AND SUPPORT IN ACCORDING WITH SMACNA INDUSTRIAL STANDARD. CONTRACTOR SHALL INSURE THAT DUCT IS INSTALLED AT ELEVATIONS SPECIFIED ON DWGS.

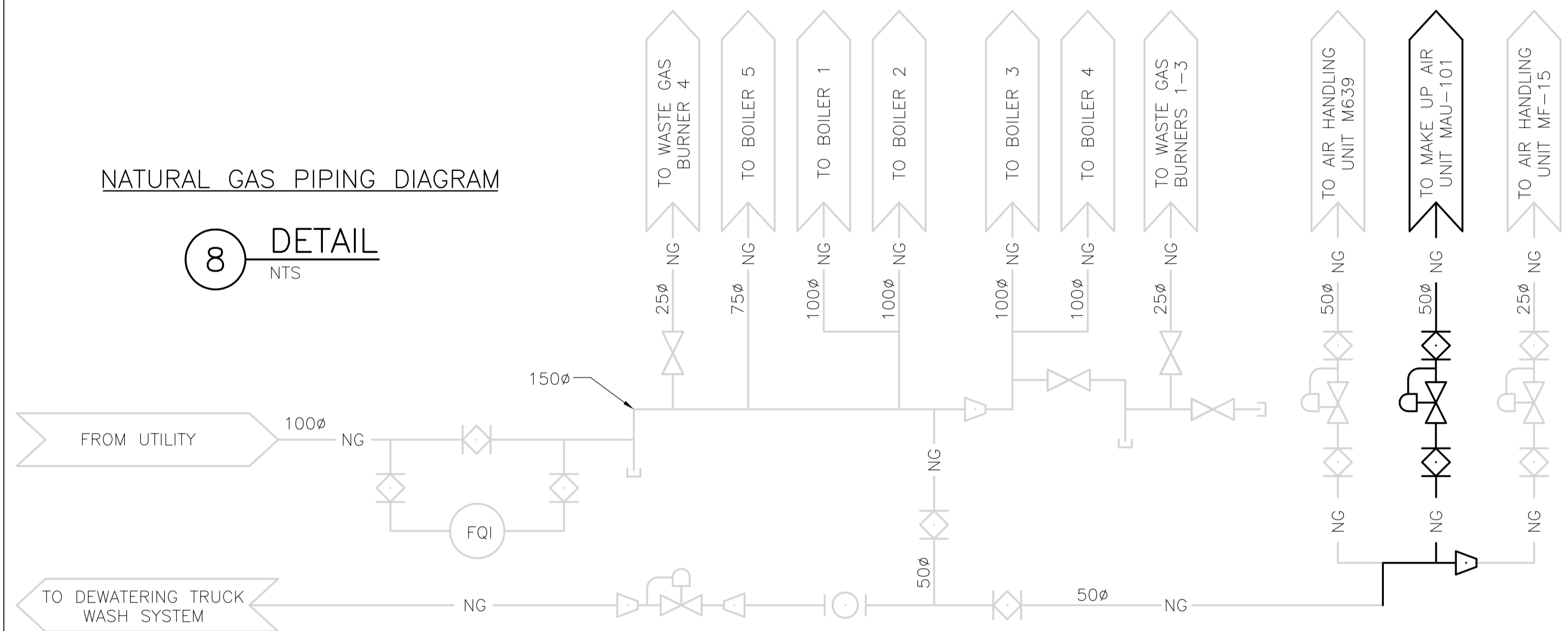
OUTDOOR SST DUCT SUPPORT

4 DETAIL
NTS



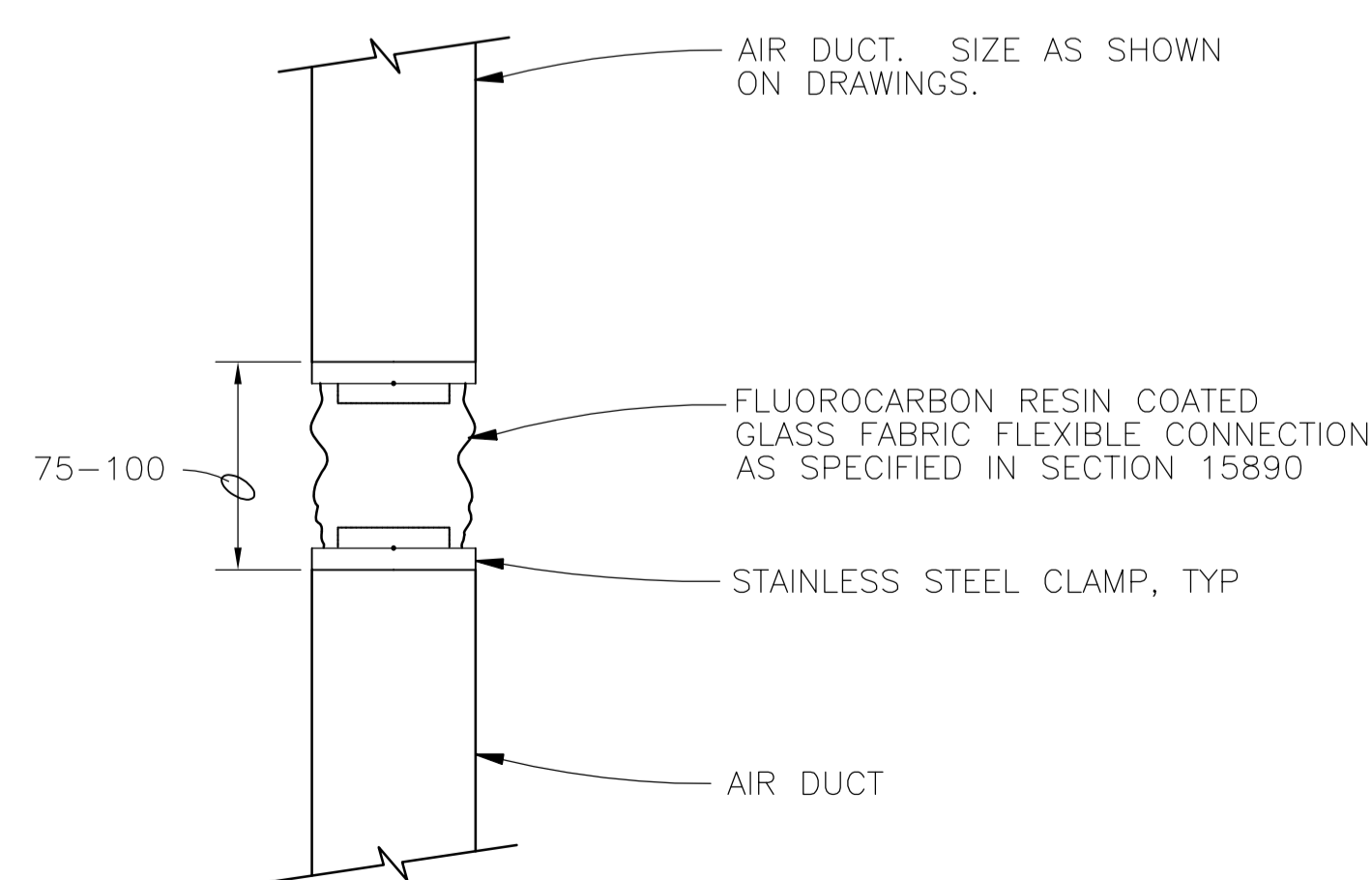
DUCT MOUNTED AIR OUTLET OR INLET

5 DETAIL
NTS



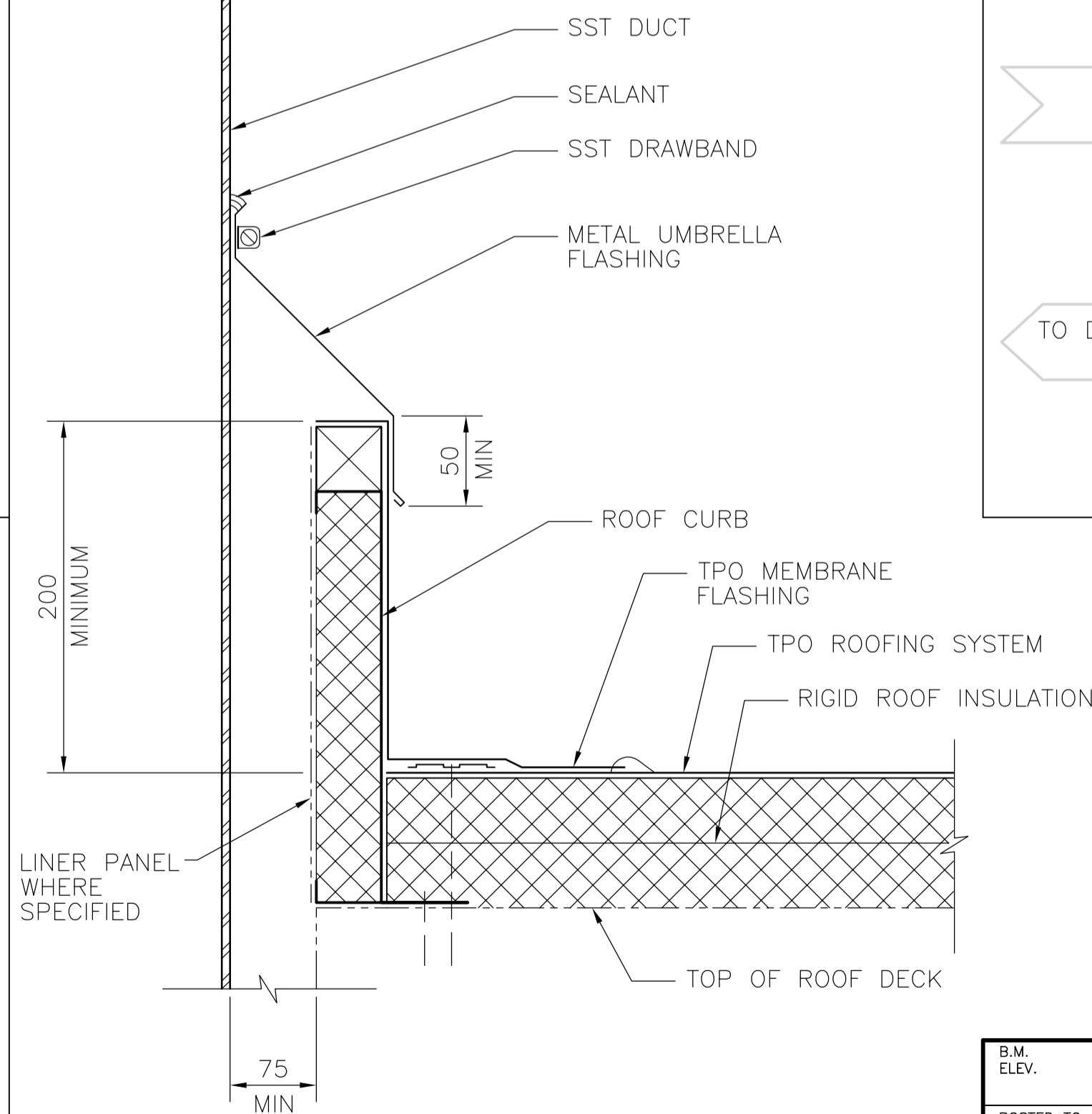
NATURAL GAS PIPING DIAGRAM

8 DETAIL
NTS



FLEXIBLE CONNECTION DETAIL

6 DETAIL
NTS



DUCT ROOF PENETRATION DETAIL

7 DETAIL
NTS

APEGM
Certificate of Authorization
CH2M HILL Canada Ltd.
No. 1441 Expiry: April 30, 2008

B.M. ELEV.	FIELD BOOK #:
POSTED TO LBIS	
0 ISSUED FOR TENDER	07/11/28 PK
NO. REVISIONS	DATE BY

CH2MHILL	
DESIGNED BY D.LE	CHECKED BY D.CUDDINGTON
DRAWN BY P.KWONG	APPROVED BY E.SHARP
HOR. SCALE NTS	RELEASED FOR CONSTRUCTION K. ZUREK
VERTICAL DATE 2007 06 00	DATE 2007/11/29

ENGINEER'S SEAL
ORIGINAL SIGNED BY
D.L. LE
2007/11/28
PROJECT No.: 358676
PLOT DATE: 2007/11/28

THE CITY OF WINNIPEG
WATER AND WASTE DEPARTMENT

NORTH END WATER
POLLUTION CONTROL CENTRE
WET WELL REHABILITATION
HVAC
STANDARD DETAILS

SHEET 15 OF 24
CONSULTANT DRAWING NUMBER
M0005
CITY DRAWING NUMBER
1-0101M-D-
M0005-001-00D