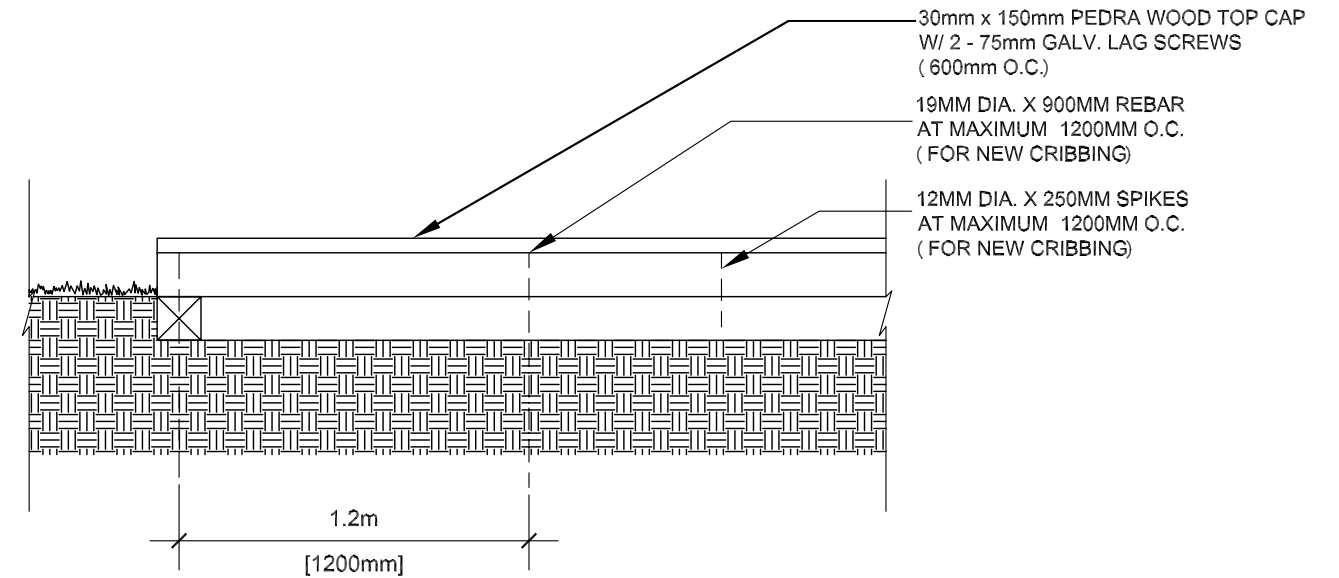
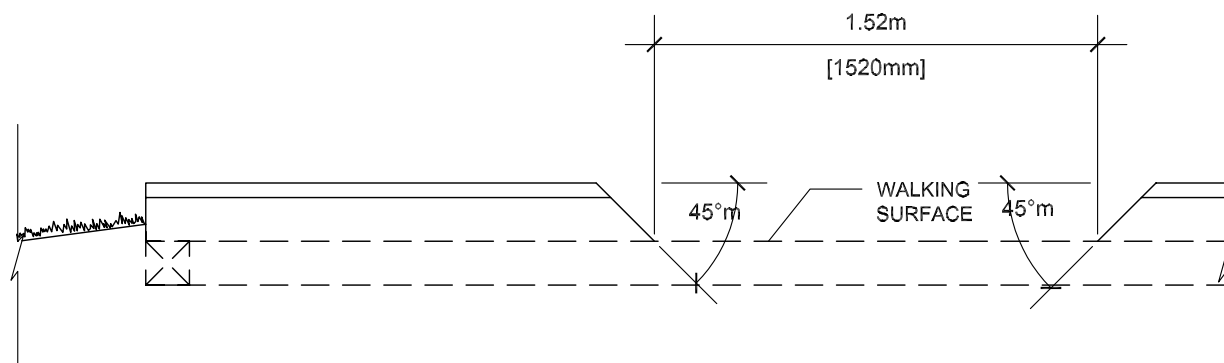


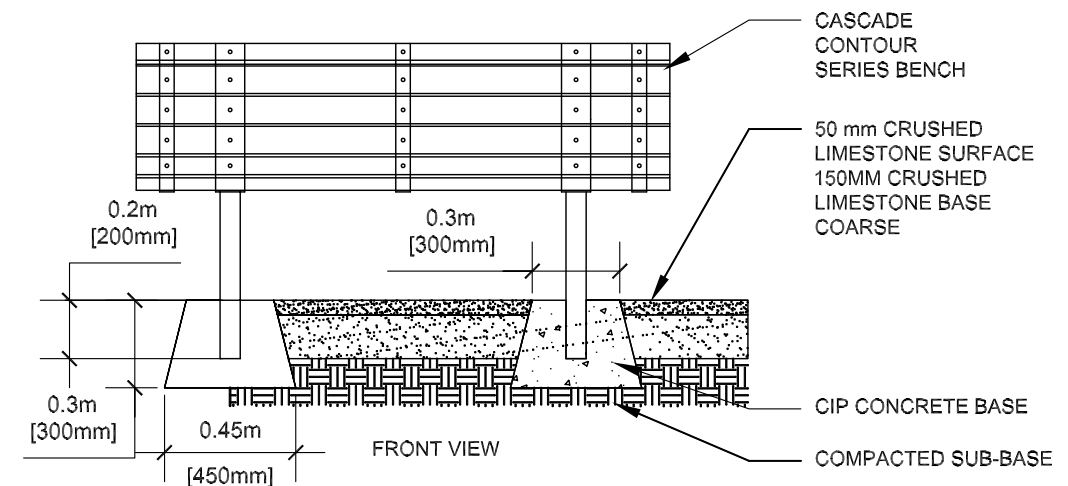
3 WABASH SPYDER SERIES - PICNIC TABLE DETAIL
D2



4 TIMBER EDGE DETAIL
D2



5 TIMBER ENTRANCE ELEVATION
D2



GRAVEL PAVING APPLICATION

6 IN GROUND MOUNT - CASCADE CONTOUR BENCH (72" LONG)
D2

LOCATION OF UNDERGROUND STRUCTURES AS SHOWN ARE BASED ON THE BEST INFORMATION AVAILABLE BUT NO GUARANTEE IS GIVEN THAT ALL EXISTING UTILITIES ARE SHOWN OR THAT THE GIVEN LOCATIONS ARE EXACT. CONFIRMATION OF EXISTENCE AND EXACT LOCATION OF ALL SERVICES MUST BE OBTAINED FROM THE INDIVIDUAL UTILITIES BEFORE PROCEEDING WITH CONSTRUCTION.



THE CITY OF WINNIPEG
Planning, Property and Development Department
Planning and Land Use Division
Unit 15 - 30 Fort Street, Winnipeg, MB, (R3C 4X5)

| | | | |
|--------------|-------------|--|-------------|
| DESIGNED BY | RC | CHECKED BY | APPROVED BY |
| DRAWN BY | RC | RELEASED FOR CONSTRUCTION | |
| HORIZ. SCALE | NTS | | |
| VERT. SCALE | | | |
| DATE | OCT. 15 /07 | MANAGER, PLANNING AND LAND USE DIVISION | DATE |

| | |
|--|--------------------------|
| DRAWING TITLE | CAD DRAWING NO. |
| CORDOVA PARK PLAYGROUND RENOVATIONS - DETAILS | DRAWING NO. 111/07-D2 |