

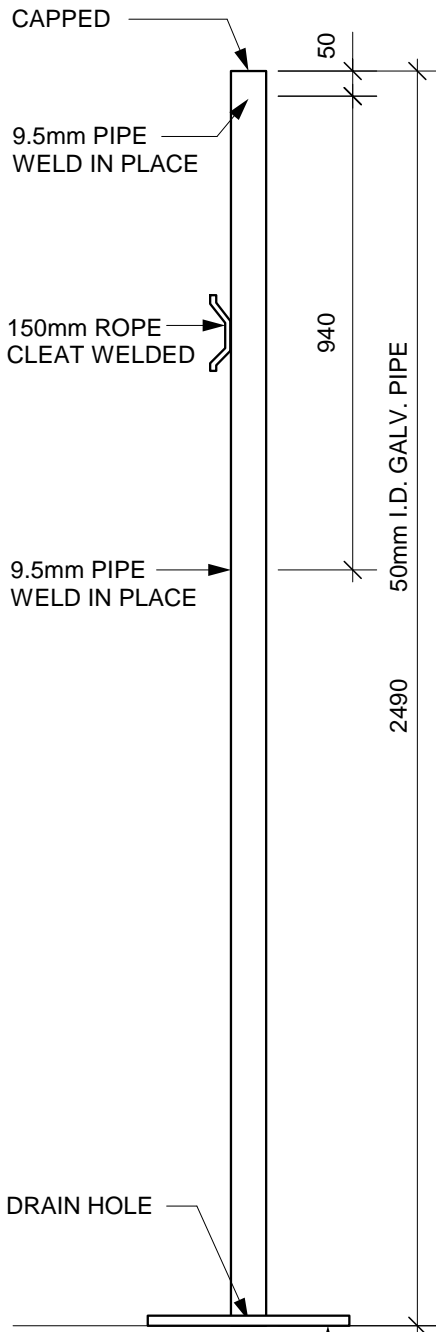
NOTE:
ALL DIMENSIONS SHOWN
ARE IN MILLIMETERS.

Drawing Title:

Drawing No: **D**

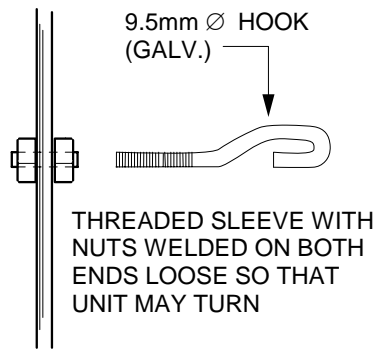
**DETAILS OF STANDARDS FOR VOLLEYBALL
BADMINTON AND TENNIS**

SCD 305

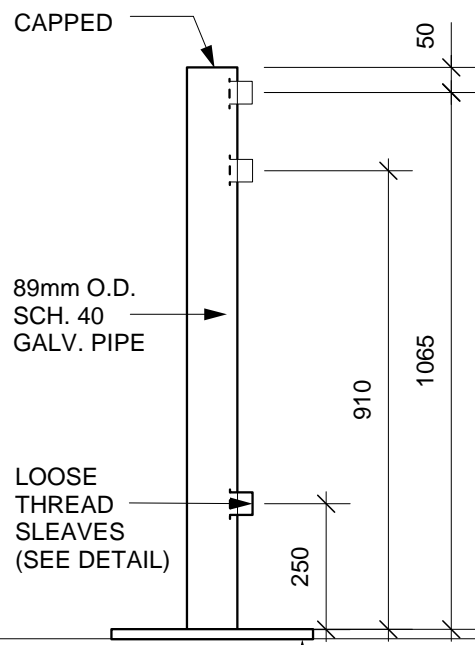


STANDARD BASE PLATE
WELD TO PIPE

**VOLLEYBALL & BADMINTON
STANDARD**
SCALE 1:15

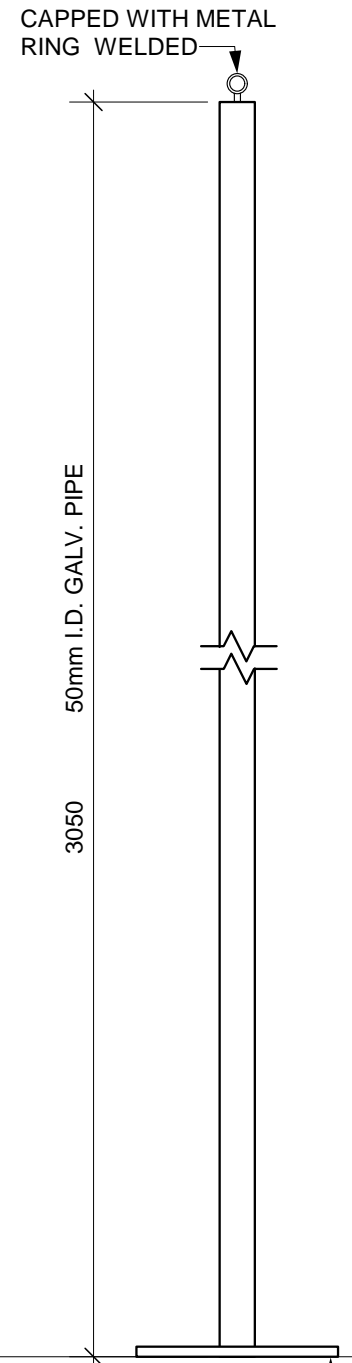


DETAIL
Scale 1:5



STANDARD BASE PLATE
WELD TO PIPE

TENNIS POST
SCALE 1:15



STANDARD BASE PLATE
WELD TO PIPE

**TETHERBALL
STANDARD**
SCALE 1:15

Scale: AS NOTED
Drawn By: j.f.
Date: Mar./06

THE CITY OF WINNIPEG
Planning, Property and Development Department
Planning and Land Use Division
Unit 15 - 10 Fort Street, Winnipeg, MB, R3C 4X5

