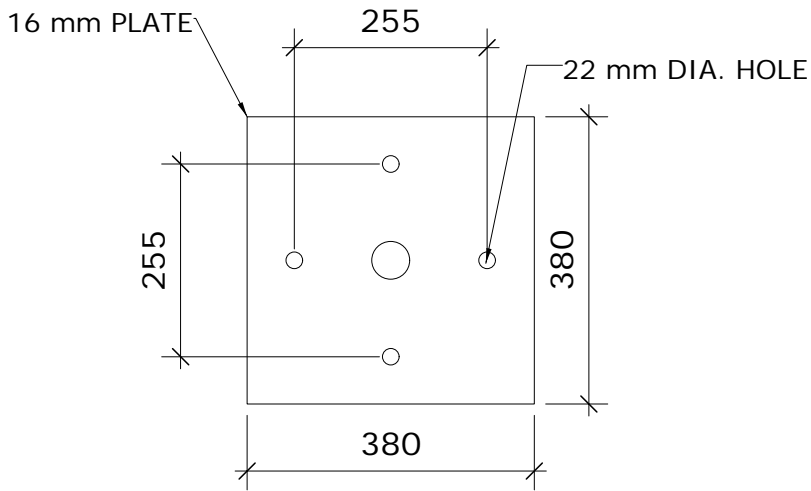
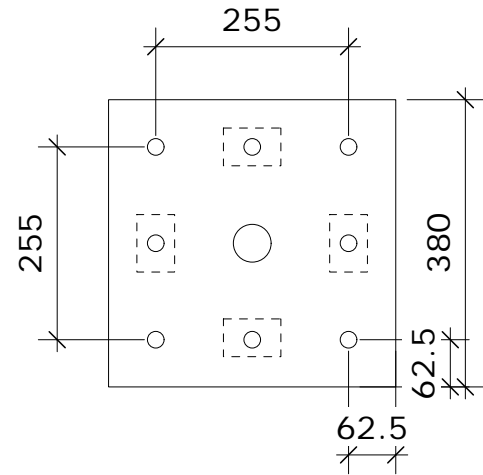


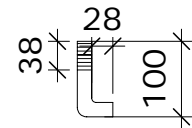
# TYPICAL BASE DETAIL FOR INSTALLATION OF SPORTS STANDARDS ON HARD SURFACES SCD 304



**BASE PLATE**

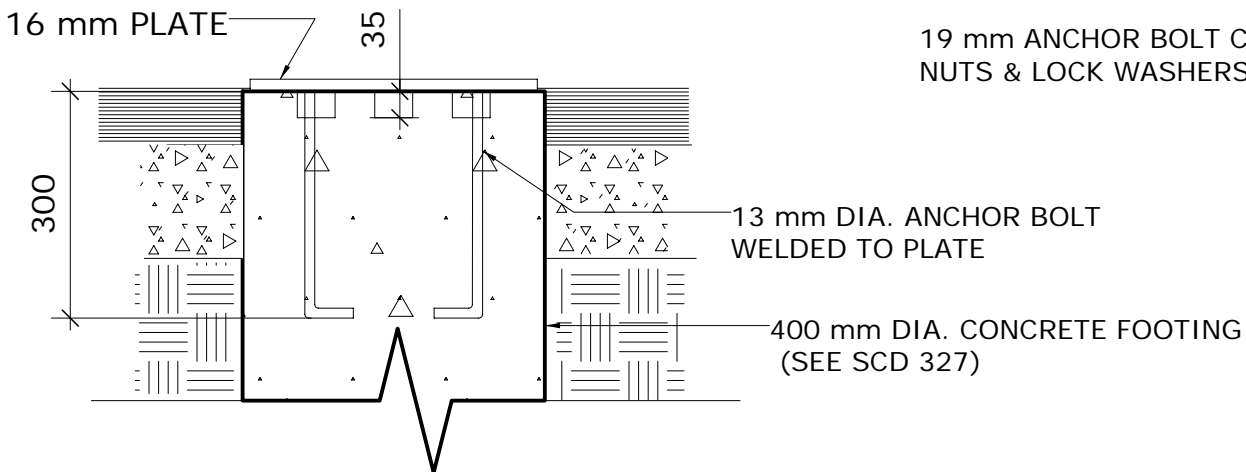


**ANCHOR PLATE PLAN**



**ANCHOR BOLT**

19 mm ANCHOR BOLT C/W NUTS & LOCK WASHERS



**ANCHOR PLATE: ELEVATION**

**NOTE:**

BASE PLATE, ANCHOR PLATE, ANCHOR BOLTS, NUTS AND WASHERS SHALL BE HOT DIPPED GALVANIZED.

ALL DIMENSIONS SHOWN ARE IN MILLIMETERS

Model # 52501166

Scale: 1:10  
Drawn By: j.f.  
Date: Mar./06

THE CITY OF WINNIPEG  
Planning, Property and Development Department  
Planning and Land Use Division  
Unit 15 - 10 Fort Street, Winnipeg, MB, R3C 4X5

