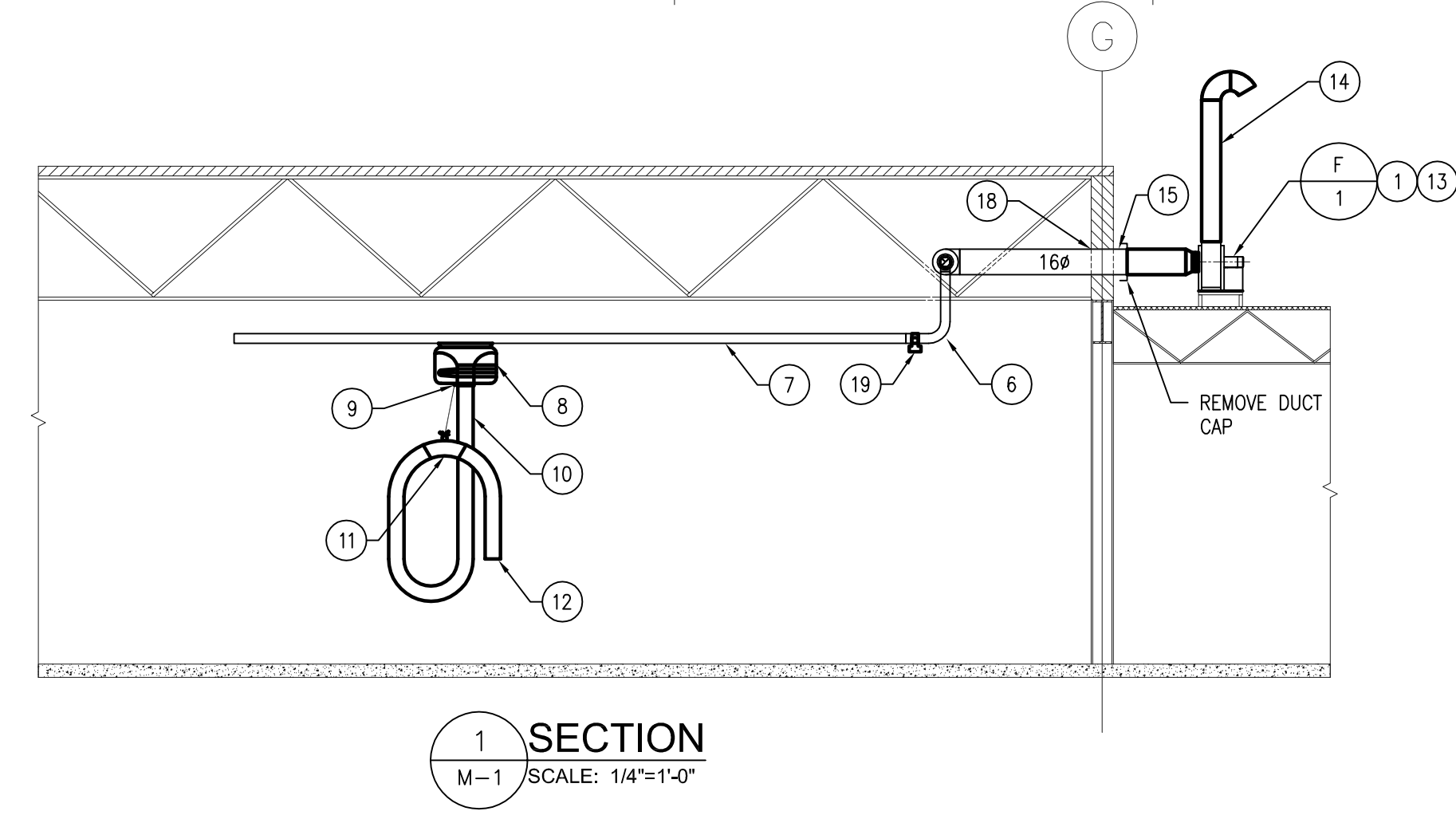


MAIN FLOOR REPAIR GARAGE PART PLAN
SCALE: 1/8"=1'-0"



1 SECTION
M-1 SCALE: 1/4"=1'-0"

MECHANICAL GENERAL NOTES:

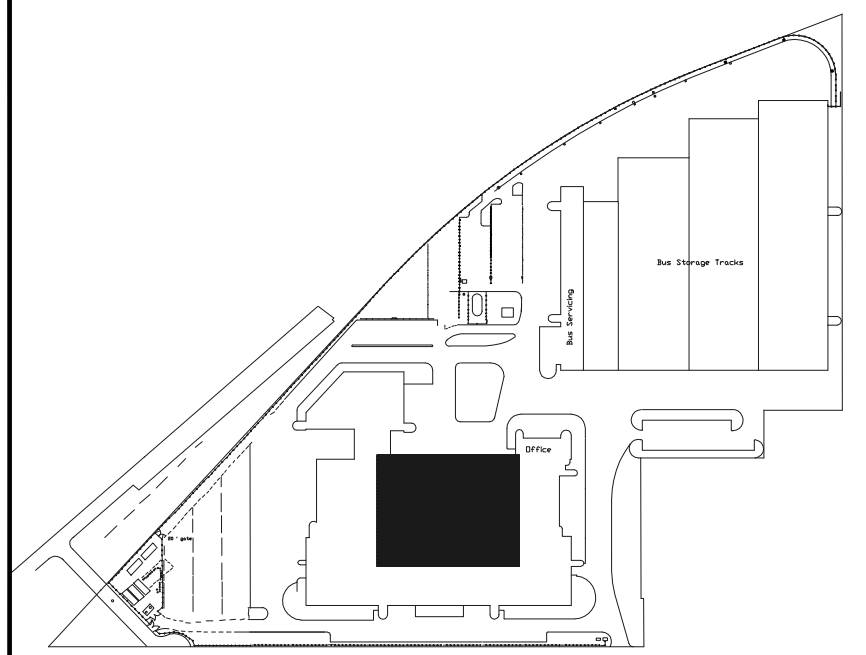
- A. CONTRACTOR TO VERIFY EXACT LOCATION AND DIMENSIONS OF NEW AND MODIFIED DUCTWORK ON SITE PRIOR TO INSTALLATION AND FABRICATION. REPORT ANY DISCREPANCY TO THE CONTRACT ADMINISTRATOR.
- B. DO NOT SCALE OFF THIS DRAWING. THIS DRAWING ONLY SHOWS THE GENERAL SCHEMATIC OF NEW SYSTEM.
- C. CONTRACTOR SHALL INCLUDE FOR AND PROVIDE ALL COORDINATION BETWEEN TRADES AND CONTRACT ADMINISTRATOR ON AND OFF SITE AS REQUIRED FOR INSTALLATION OF MECHANICAL SYSTEMS.
- D. REFER TO SPECIFICATION FOR PART NUMBERS OF NEDERMAN EXHAUST EXTRACTION SYSTEM COMPONENTS.

MECHANICAL DRAWING NOTES: ##

- 1. NEW EXHAUST FAN F-1 SUPPLIED BY CITY (PRE-PURCHASED) AND INSTALLED BY CONTRACTOR OUTDOORS ON LOW BAY ROOF. EXTEND EXISTING DUCTWORK AND CONNECT TO FAN AS SHOWN.
- 2. NEW VARIABLE FREQUENCY DRIVE FOR F-1 SUPPLIED BY DIVISION 15800 AND INSTALLED BY DIVISION 15900.
- 3. EXISTING JOHNSON CONTROLS METASYS (DDC) PANEL.
- 4. NEW DUCT STATIC PRESSURE SENSOR SUPPLIED BY DIVISION 15800 AND INSTALLED BY DIVISION 15900. MOUNT SENSOR IN MAIN DUCT AS DESCRIBED IN SPECIFICATION SECTION 15900.
- 5. CONTROL WIRING FROM DUCT STATIC PRESSURE SENSOR TO VFD BY DIVISION 15900.
- 6. EXISTING DUCTWORK TO REMAIN.
- 7. EXISTING NEDERMAN EXHAUST EXTRACTION RAIL TO REMAIN (TYPICAL OF 7).
- 8. PROVIDE NEW TROLLEY ASSEMBLY C/W BALANCER AND MOUNT TO EXISTING EXHAUST EXTRACTION RAIL (TYPICAL OF 7).
- 9. PROVIDE NEW DAMPER AND CONNECT TO NEW TROLLEY ASSEMBLY (TYPICAL OF 7).
- 10. PROVIDE NEW FLEXIBLE HOSE AND CONNECT TO NEW DAMPER BELOW TROLLEY ASSEMBLY (TYPICAL OF 7).
- 11. NEW METAL ELBOW SUPPORT SUPPLIED BY CITY (PRE-PURCHASED) AND INSTALLED BY CONTRACTOR. CONNECT METAL ELBOW SUPPORT TO DAMPER AS PER MANUFACTURER'S GUIDELINES.
- 12. LEAVE EXTRACTION HOSE OPEN ENDED. CITY SHALL FABRICATE CUSTOM NOZZLE/CANOPY AND INSTALL IN FUTURE WITH OWN FORCES.
- 13. PROVIDE NEW STRUCTURAL SUPPORT FOR F-1. REFER TO SPECIFICATION DETAILS.
- 14. PROVIDE AND CONNECT DISCHARGE EXHAUST DUCT TO FAN OUTLET. DUCT TO BE GOOSENECK ARRANGEMENT. REFER TO SPECIFICATION DETAILS.
- 15. FLASH AND SEAL WALL OPENING WHERE DUCTWORK PASSES THROUGH.
- 16. DIVISION 15900 TO PROVIDE MANUAL FAN SYSTEM START/STOP BUTTON. CONFIRM LOCATION WITH CITY'S REPRESENTATIVE PRIOR TO ROUGH-IN.
- 17. CONTROL WIRING BY DIVISION 15900.
- 18. INSIDE WALL OF HIGH BAY ROOF IS AN ACM MADE UP OF FIBREBOARD CONTAINING ASBESTOS. CONTRACTOR SHALL NOTIFY CITY'S ON SITE REPRESENTATIVE AND FOLLOW CITY'S PROTOCOL WHEN WORKING UP IN THIS AREA TO FLASH/SEAL EXISTING DUCTWORK PASSING THROUGH WALL.
- 19. PROVIDE NEW BLAST GATE IN EXISTING DUCTWORK (TYPICAL OF 7). BLAST GATE SHALL BE FULL COLLAR, CAST ALUMINUM WITH GALVANIZED SIDES.

ELECTRICAL DRAWING NOTES: ##

- 1. EXISTING 600V/3Ø WESTINGHOUSE SUB-DISTRIBUTION "PP-UU". SUPPLY AND INSTALL A NEW 20A-3P BREAKER. WIRE AND CONNECT WITH 3-#10 TO NEW FAN F-1 AND RELATED VFD AND DISCONNECT. ALL WIRING TO BE TYPE TECK DRIVE RX CABLE. MODIFY EXISTING DISTRIBUTION AS REQUIRED TO ACCEPT NEW BREAKER. BREAKER K.A. RATING SHALL MATCH LARGEST RATING OF EXISTING BREAKERS.
- 2. SUPPLY AND INSTALL WEATHERPROOF DISCONNECT FOR FAN F-1.



KEY PLAN
N.T.S.

NO.	Revisions	BY	DD/MM/YY
7.			
6.			
5.			
4.	ISSUED FOR ADDENDUM NO. 1	JS	12/12/07
3.	ISSUED FOR BID OPPORTUNITY	JS	04/12/07
2.	ISSUED FOR REVIEW (100%)	JS	30/11/07
1.	ISSUED FOR REVIEW (99%)	JS	27/11/07

ORIGINAL CONTRACT DRAWING
SIGNED AND SEALED BY
J.S. SANDHU, P. ENG
DECEMBER 4, 2007

ORIGINAL CONTRACT DRAWING
SIGNED AND SEALED BY
B.D. LESKO, P. ENG
DECEMBER 4, 2007

SMS ENGINEERING

SMS Engineering Ltd. Consulting Engineers
770 Bradford Street Winnipeg MB Canada R2M 0N3
Telephone: 204.775.0291 Fax: 204.772.2153
sms@smseng.com



Project Title
**CITY OF WINNIPEG
FORT ROUGE TRANSIT GARAGE
WELDING EXHAUST**
WINNIPEG MANITOBA

Drawing Title
**MAIN FLOOR PART PLAN
EXHAUST SYSTEM LAYOUT**

Drawn By IM/JPL	Checked By PG/JS/IR	Approved By JS/BL
Scale AS NOTED	Date NOVEMBER 2007	Project No. 07-198-01
Revision Number 4	Drawing Number ME-1	Sheet Order 1 OF 1