

REVISIONS BY DATE REVISIONS
 CALCULATED/DESIGNED BY CHECKED BY
 PROJECT ENGINEER
 STATE OF CALIFORNIA - DEPARTMENT OF TRANSPORTATION
 Caltrans

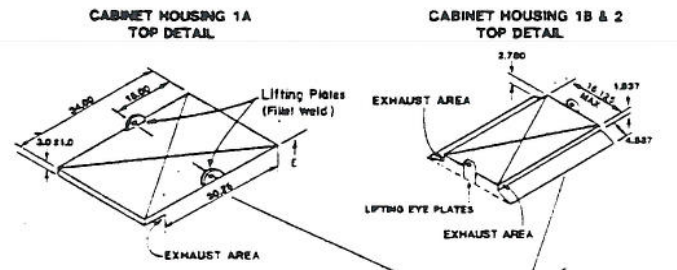
CABINET HOUSING DETAILS

DIST.	COUNTY	ROUTE	POST MILE TOTAL PROJECT	SHEET NO.	TOTAL SHEETS
				104	254

CHIEF OFFICE OF ELECTRICAL SYSTEMS
 REGISTERED ELECTRICAL ENGINEER

PLANS APPROVAL DATE

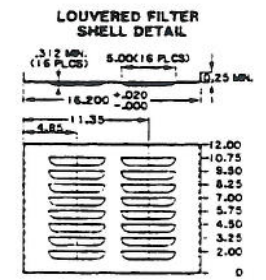
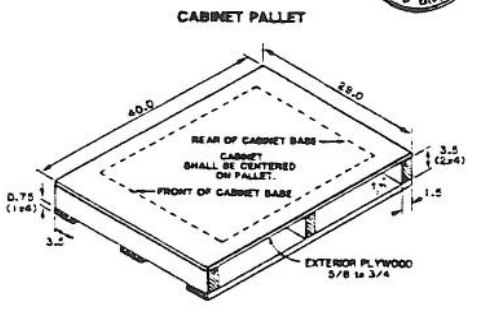
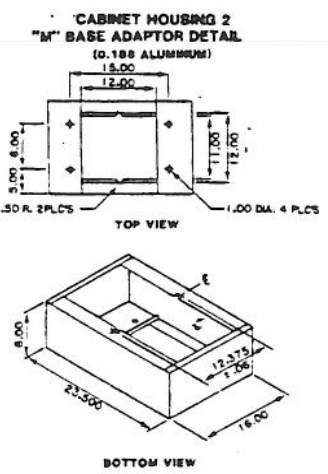
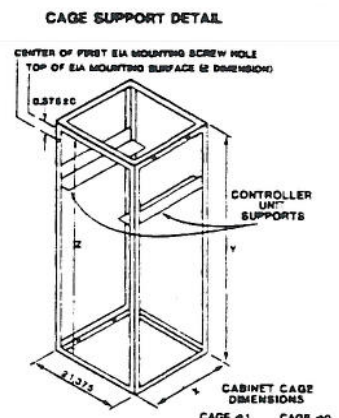
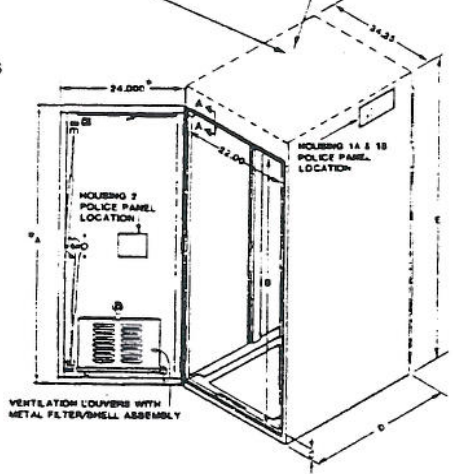
REGISTERED PROFESSIONAL ENGINEER
 E.L. Johnson
 No. 929-B
 Exp. 12/31/88
 STATE OF CALIFORNIA



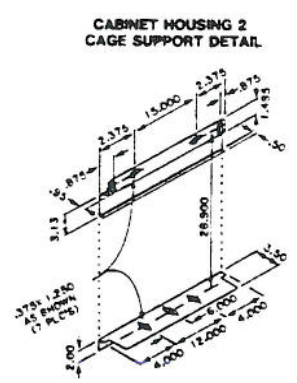
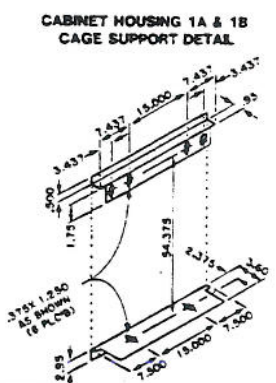
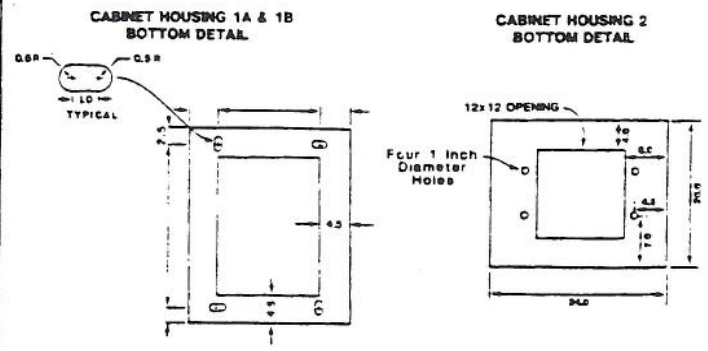
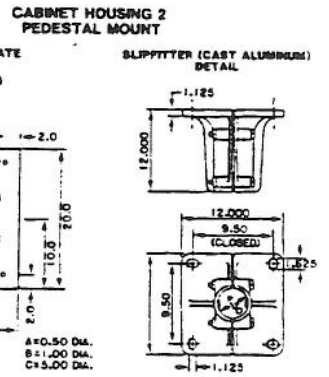
CABINET HOUSING DIMENSIONS

	1A & 1B	2
A	56.40	35.00
B	54.50	33.00
C	4.00	2.00
D	30.25	20.25
E	54.00	34.00

TOLERANCE = -0.0025, -0



REDUCED PLAN
 USE SCALE BELOW
 3 INCHES ON ORIGINAL PLAN



- NOTE:
- DASHED LINES ON CABINET CAGE SUPPORT DETAIL DELINEATES THE CABINET SIDE WALL.
 - THE BOTTOM CABINET CAGE SUPPORTS SHALL BE CONTINUOUSLY WELDED ALONG THE SIDES OF THE CABINET AND EXTENDED TO THE INSIDE CORNER OF DOOR OPENINGS. THE TOP CABINET CAGE SUPPORTS SHALL BE CONTINUOUSLY WELDED ALONG THE SIDES OF THE CABINET. THE TOP CABINET CAGE SUPPORTS SHALL BE A MINIMUM OF 21.75 INCHES APART.
 - THE "X" DIMENSION SIDE OF THE MOUNTING CAGE SHALL BE BOLTED TO THE CABINET CAGE SUPPORTS.
 - EXCEPT WHERE SPECIFICALLY CALLED OUT ALL DIMENSIONS SHALL HAVE A ±0.0025 INCH TOLERANCE.
 - ALL DIMENSIONS SHOWN ARE IN INCHES.

FOR REDUCED PLANS
 ORIGINAL SCALE IS IN INCHES