



VICTOR STANLEY, INC.
-Manufacturers of Quality Site Furnishings since 1962-

P.O. DRAWER 330 - DUNKIRK, MD 20754 USA
TEL (301) 855-8300 - FAX (410) 257-7579
WEB SITE: <http://www.victorstanley.com>

DR#2002_309

PG 1 OF 1

PRODUCT SPECIFICATIONS

CADD Department

VIEWS 4

DRAWN L.K.P.

REV. 10/17/02

CLASSIC SERIES

C-144

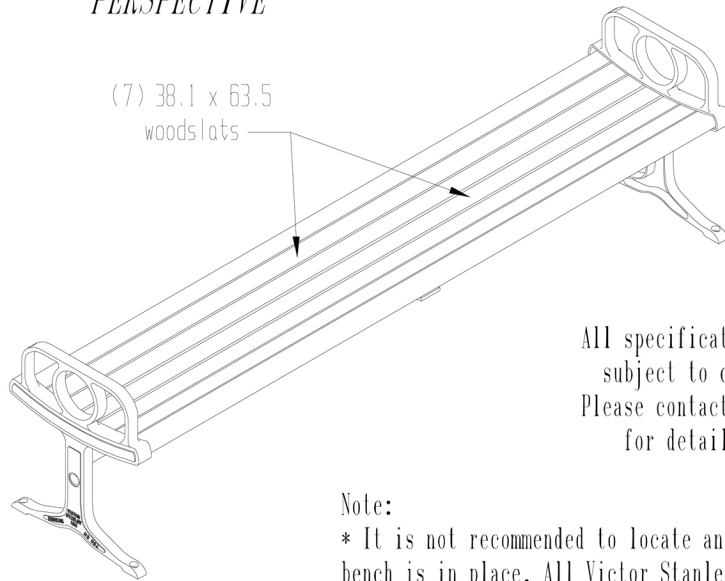
Standard 2.4 Meters Length

For your convenience and economy this bench is shipped partially unassembled

All fabricated metal components are shot-blasted, etched, phosphatized, preheated, and electrostatically powder-coated with TGIC polyester powder coatings.

PERSPECTIVE

(7) 38.1 x 63.5
woodslats



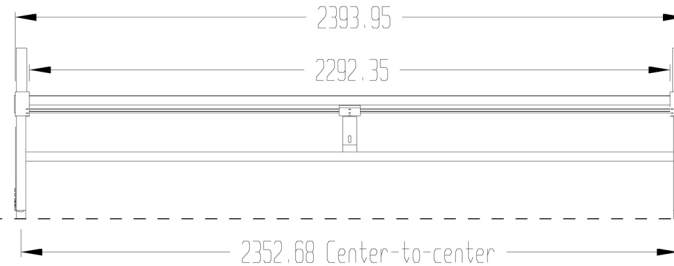
Center-to-center distances are approximate.
(Variations in castings arise from different rates of cooling)

All specifications are subject to change.
Please contact factory for details.

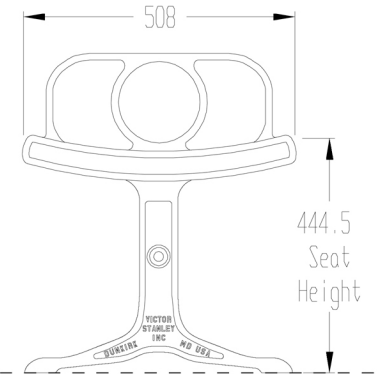
Note:

* It is not recommended to locate anchor bolts until bench is in place. All Victor Stanley, Inc. products must be permanently affixed to the ground. Consult your local codes for regulations. *

FRONT VIEW



SIDE VIEW



Finished grade

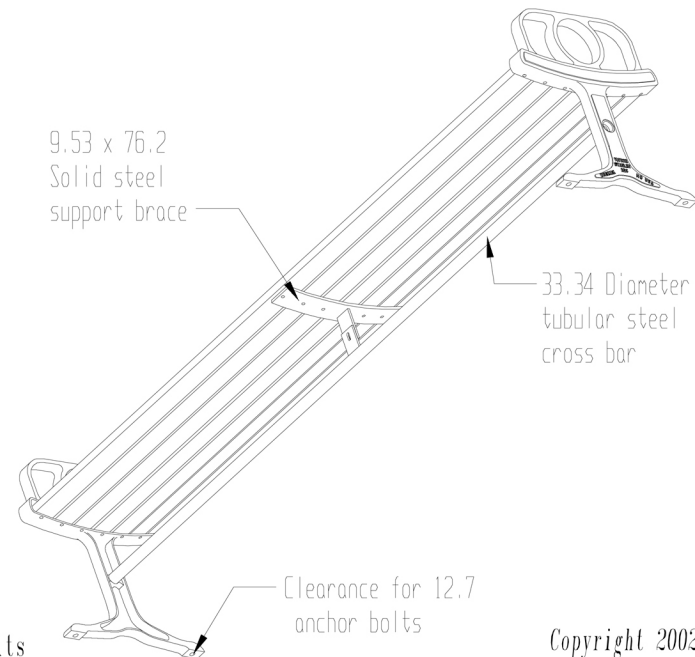
* Ductile Iron castings come with a 10 year warranty against breakage *

* All dimensions are in Millimeters *

UNDER VIEW

9.53 x 76.2
Solid steel
support brace

33.34 Diameter
tubular steel
cross bar



Clearance for 12.7
anchor bolts

(Anchor bolts provided by others)

Copyright 2002
Victor Stanley, Inc.
All Rights Reserved