

Victor Stanley, Inc.

P.O. DRAWER 330 - DUNKIRK, MD 20754 USA  
 TEL (301) 855-8300 - FAX (410) 257-7579  
 WEB SITE: <http://www.victorstanley.com>

DR#2001\_140  
 PG 1 OF 1

PRODUCT SPECIFICATIONS

CADD Department

IEWS 4

DRAWN L.K.P.

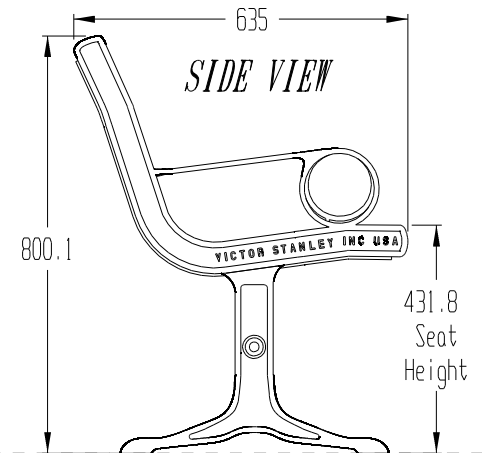
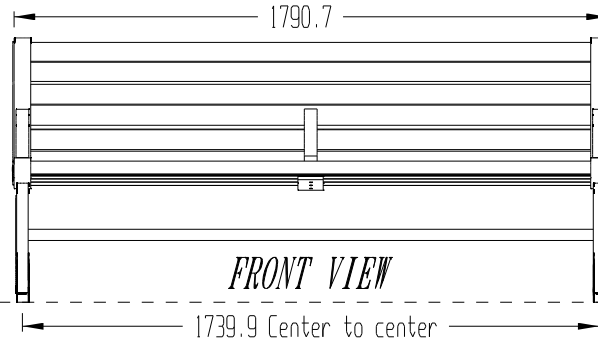
REV. 12/3/01

CLASSIC SERIES

C-140

Standard 1.8 Meters Length  
 Shown with Optional Center Armrest

For your convenience and economy this bench is shipped partially unassembled



Finished grade

\* Ductile Iron castings come with a 10 year warranty against breakage \*

All fabricated components are shot-blasted, etched, phosphatized, preheated, and electrostatically powder-coated with TGIC polyester powder coatings.

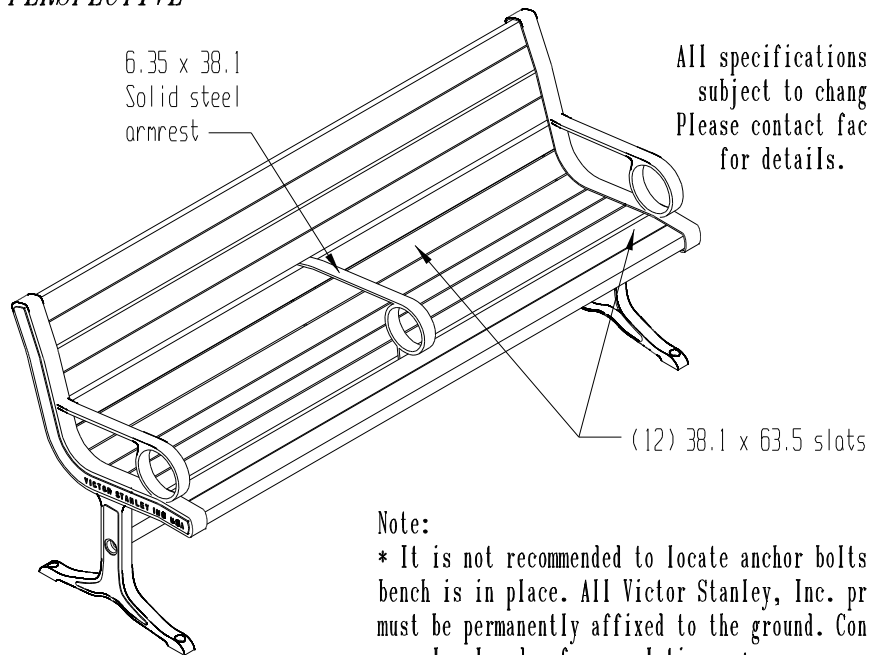
Center-to-center distances are approximate. (Variations in castings arise from different rates of cooling)

All specifications are subject to change. Please contact factory for details.

UNDER VIEW

\* All dimensions are in Millimeters \*

PERSPECTIVE

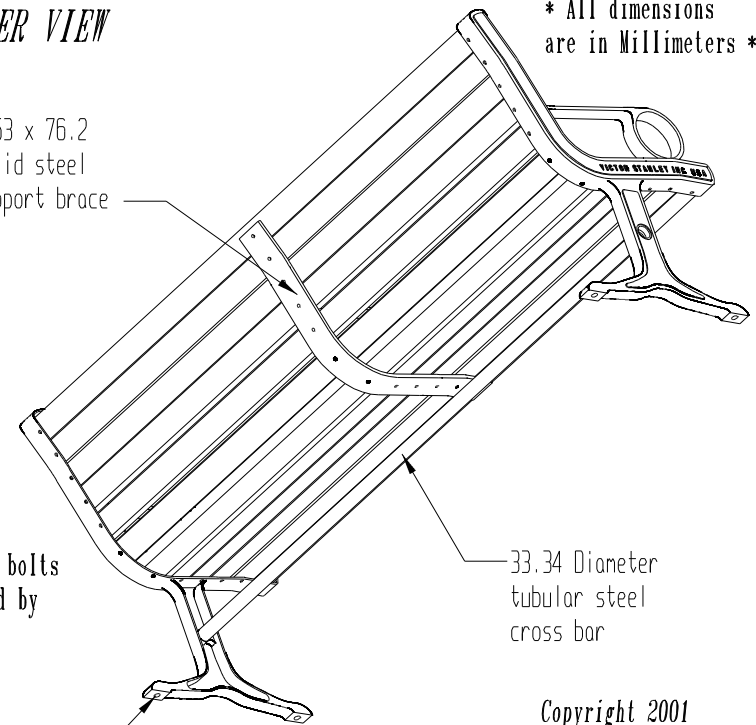


Note:  
 \* It is not recommended to locate anchor bolts until bench is in place. All Victor Stanley, Inc. products must be permanently affixed to the ground. Consult your local codes for regulations. \*

9.53 x 76.2 Solid steel support brace

(Anchor bolts provided by others)

Clearance for 12.7 anchor bolts



Copyright 2001 Victor Stanley, Inc. All Rights Reserved