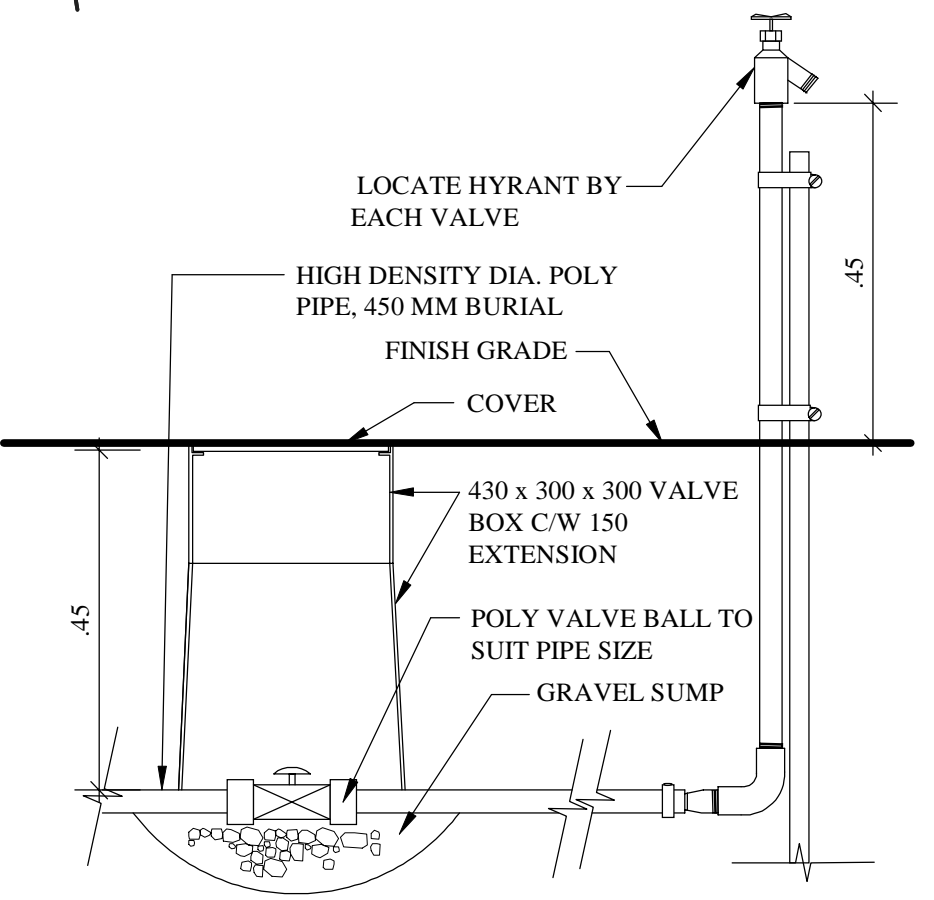
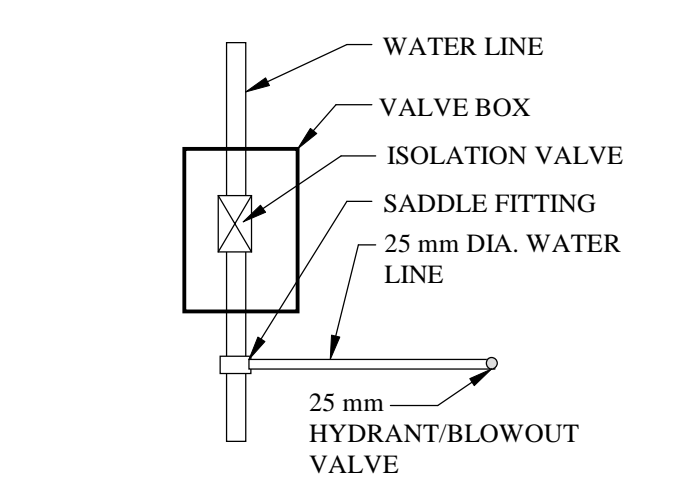


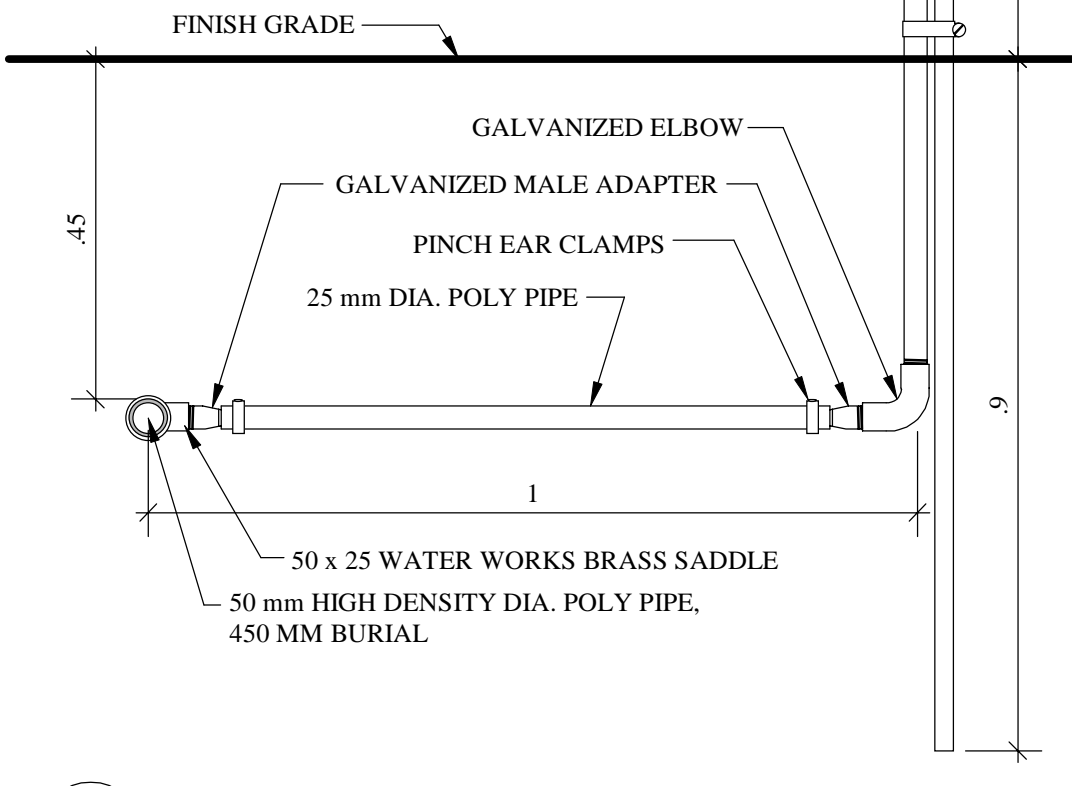
**1 IRRIGATION LINE LAYOUT**  
Scale: 1:1000



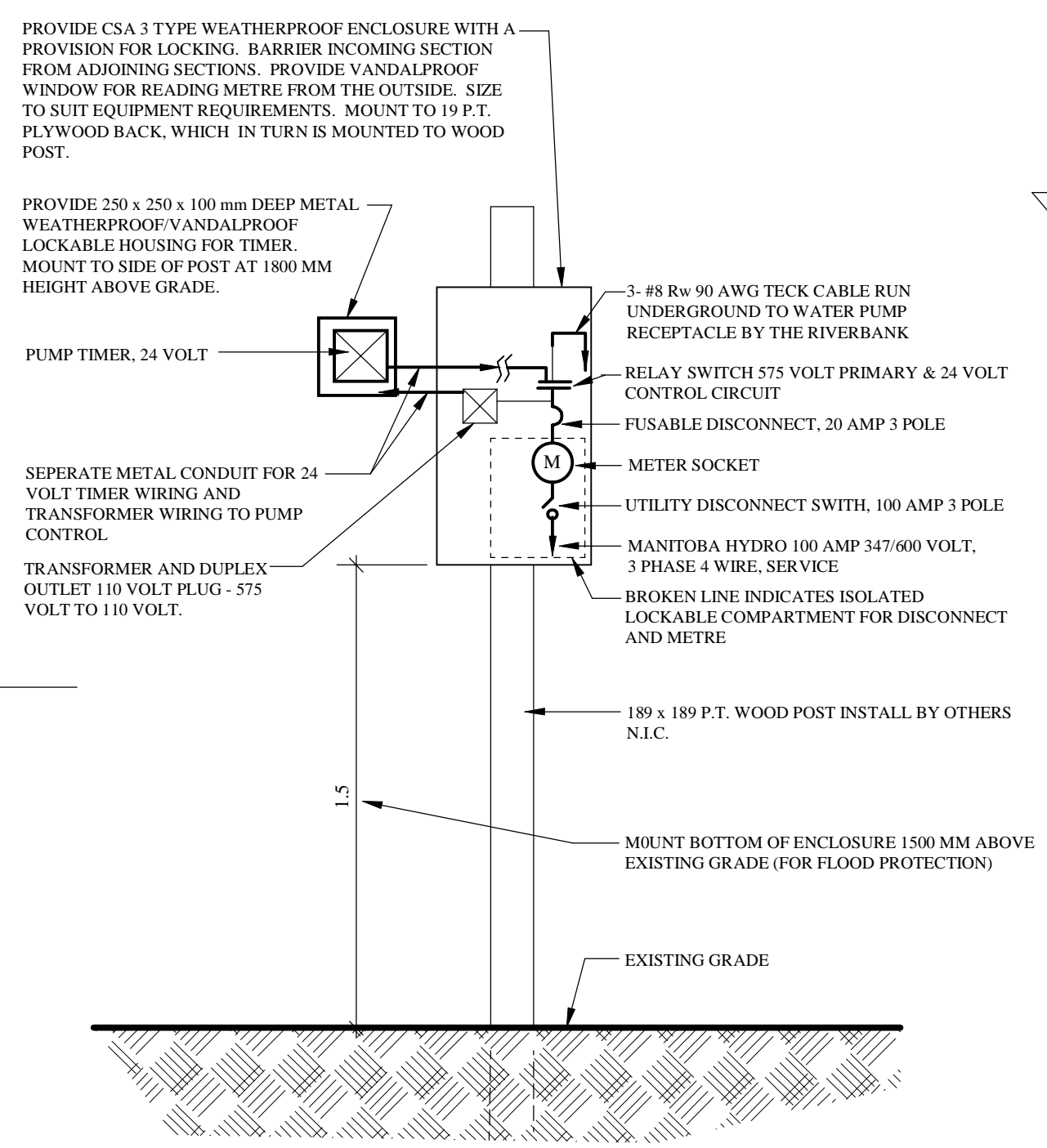
**6 VALVE TYPE "A" ISOLATION / BLOWOUT SECTION**  
Scale: 1:10



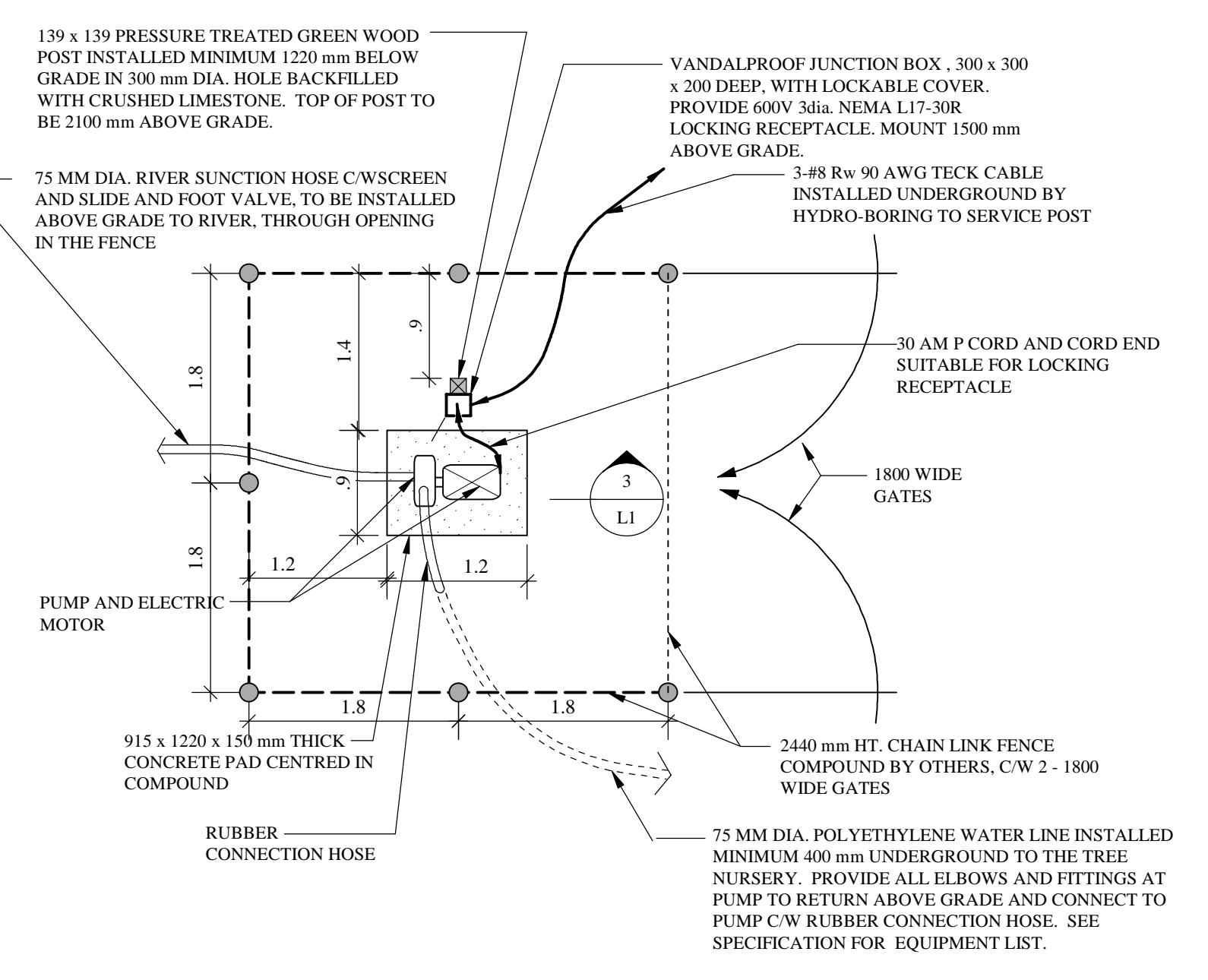
**7 ISOLATION VALVE PLAN VIEW**  
Scale: 1:20



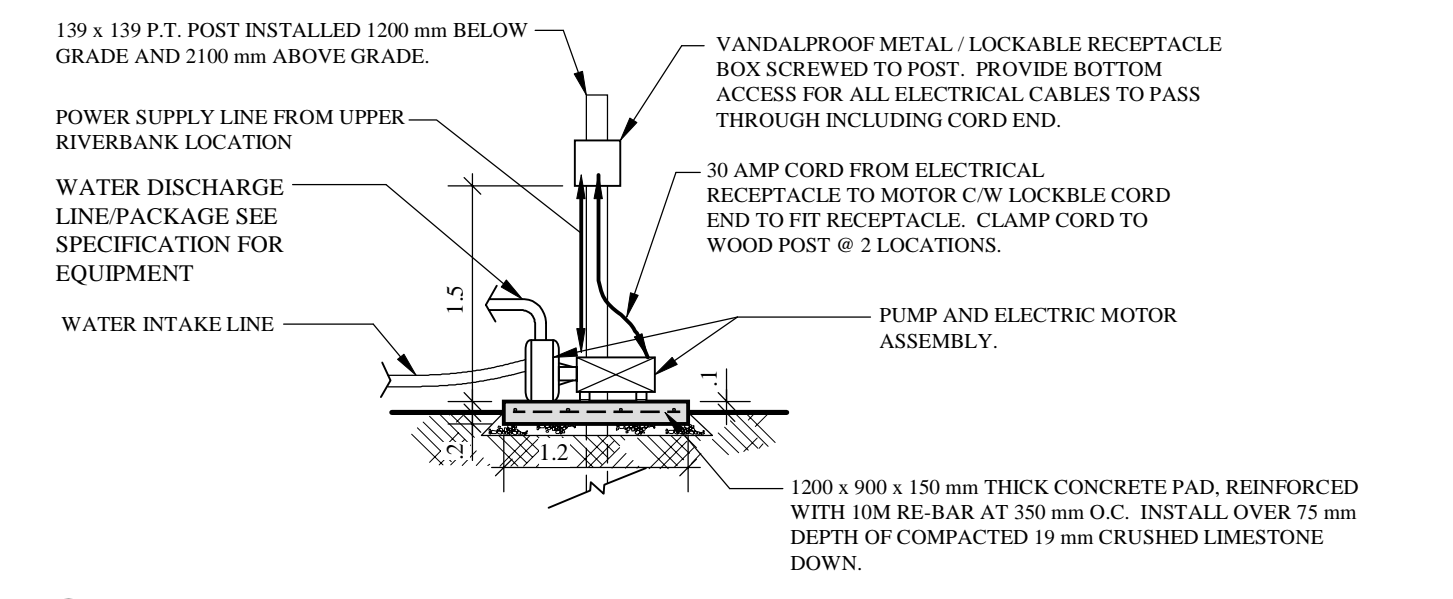
**5 VALVE TYPE "B" HYDRANT / BLOWOUT SECTION**  
Scale: 1:10



**4 TOP OF RIVERBANK HYDRO SERVICE PANEL ELEVATION**  
Scale: 1:20



**2 WATER PUMP COMPOUND PLAN**  
Scale: 1:50



**3 WATER PUMP PAD/POST ELEVATION**  
Scale: 1:50

PROJECT TITLE	NO.	REVISIONS	BY	DATE
<b>CITY OF WINNIPEG TREE NURSERY</b> 4027 PEMBINA HIGHWAY ST. NORBERT, MANITOBA				
DRAWING TITLE	KEN RECH LANDSCAPE ARCHITECTS INC. 1480 Wellington Crescent Winnipeg Manitoba Fax 489-6852 R3N 0B3 Tel(204) 489-6616			
<b>IRRIGATION PLAN AND ELECTRICAL</b>	DRAWN BY	SCALE	SHEET NO.	
	K. Rech	1:1000		
PRINT DATE	DATE	<b>L1</b>		
OCT. 15, 2007	OCT. 15, 2007			
FILE NO. 04-06	REVISION	0		