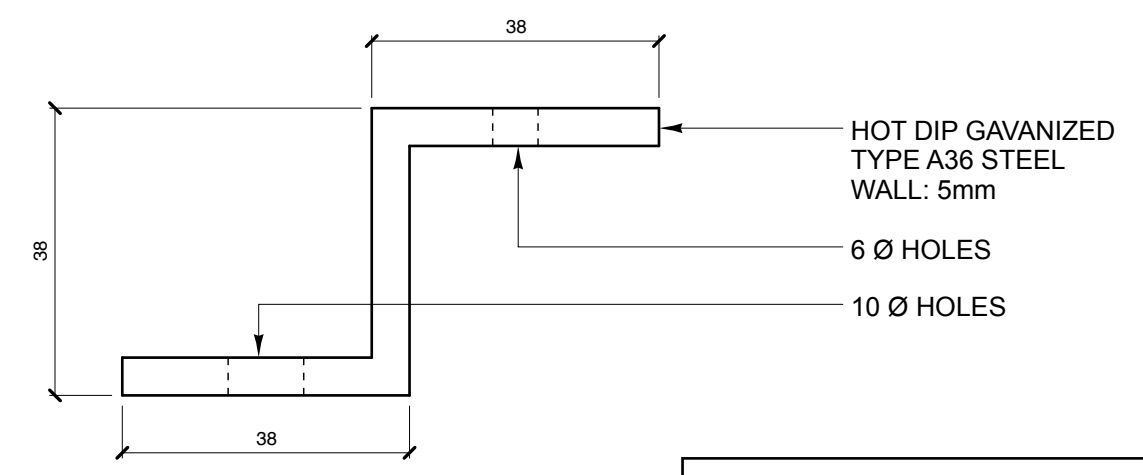
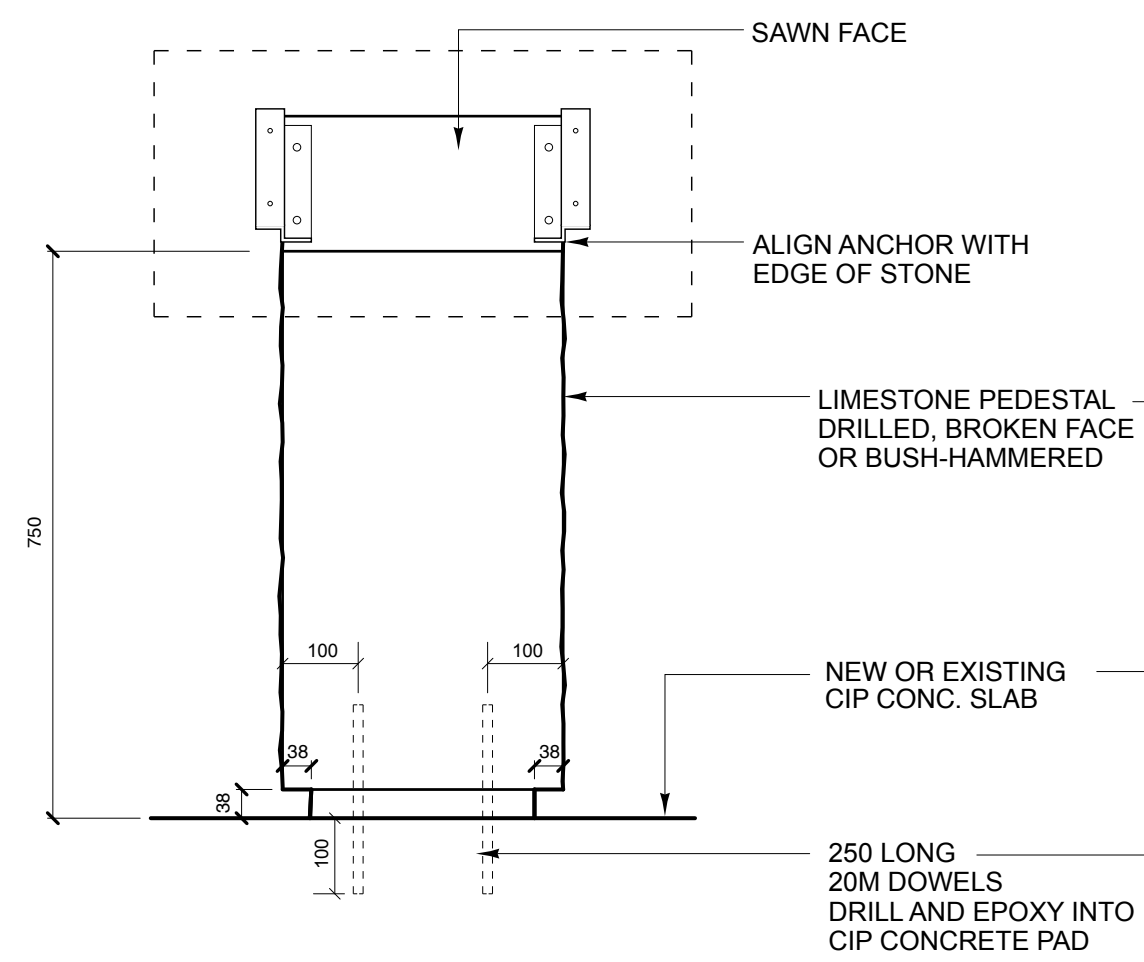


1 PLAN  
SB-2 SCALE: 1:10

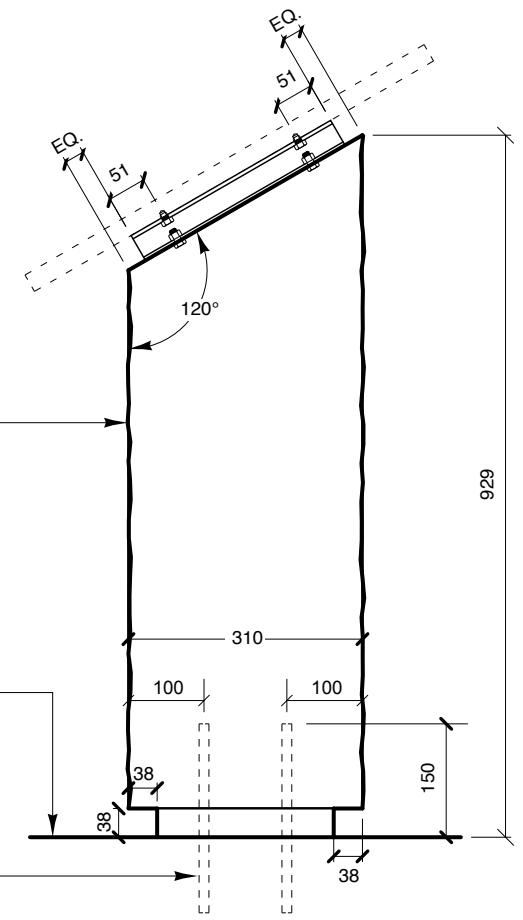


4 TYP. Z BRACKET  
SB-2 SCALE: 1:1

NOTE:  
ANCHOR CHANNELS AND BRACKETS TO STONE WITH APPROVED TAMPER-RESISTANT, 9Ø HOT DIP GALVANIZED STEEL FASTENERS



2 FRONT ELEVATION  
SB-2 SCALE: 1:10



3 SIDE ELEVATION  
SB-2 SCALE: 1:10

SCOTIA ST.  
INTERPRETIVE SIGN  
INSTALLATION  
Project Title

SMALL SIGN PEDESTAL  
Drawing Title

**HILDERMAN  
THOMAS  
FRANK  
CRAM**

Landscape Architecture • Planning  
500-115 Bannatyne Avenue East, Winnipeg, Manitoba R3B 0R3  
Telephone 204-944-9907 Facsimile 204-957-1467

Drawn	SA / AK	Approved	RGM
Scale	AS NOTED	Date	SEPT. 26/07
Job	07   061	Drawing	<b>SB-2</b>