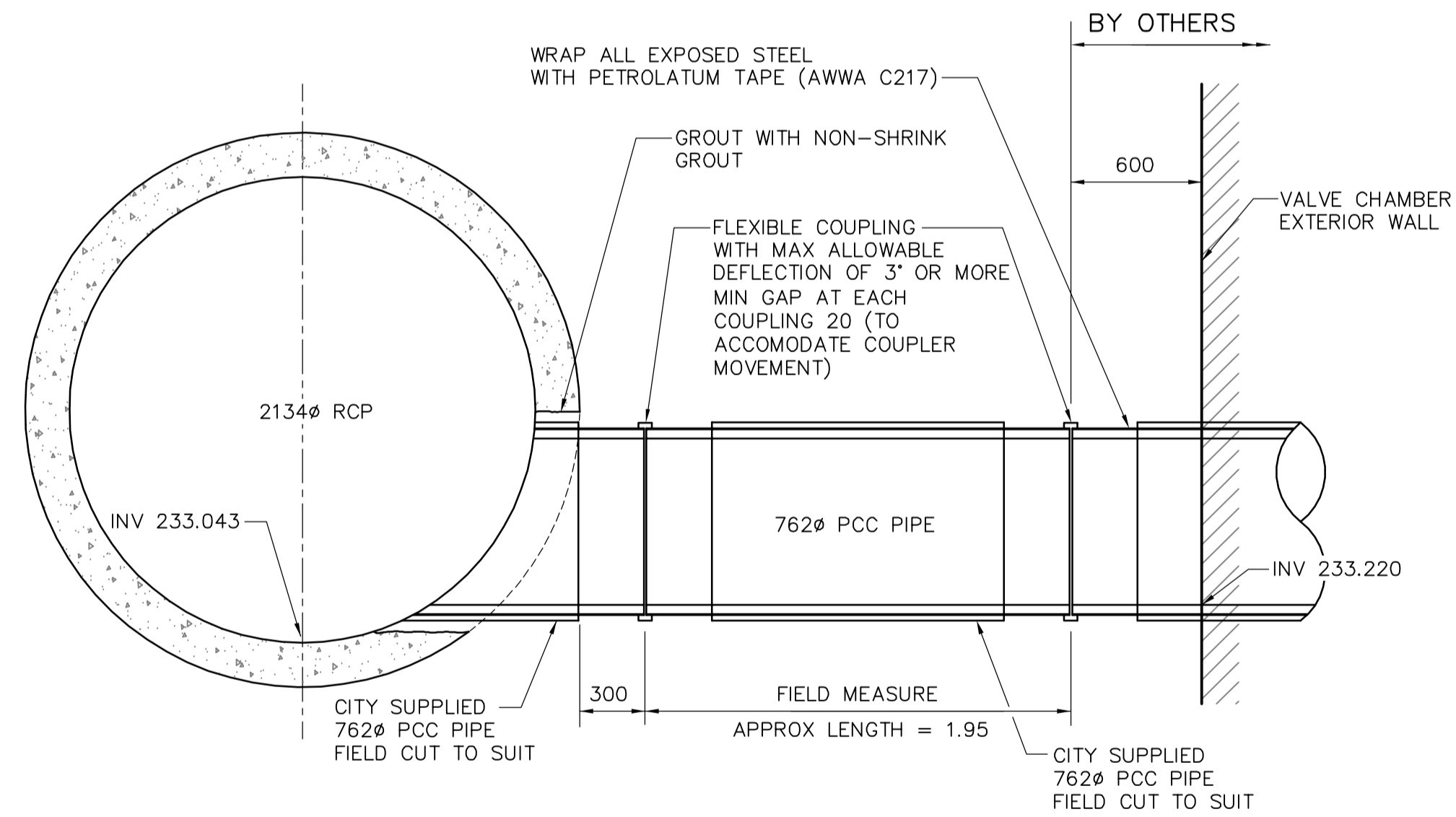
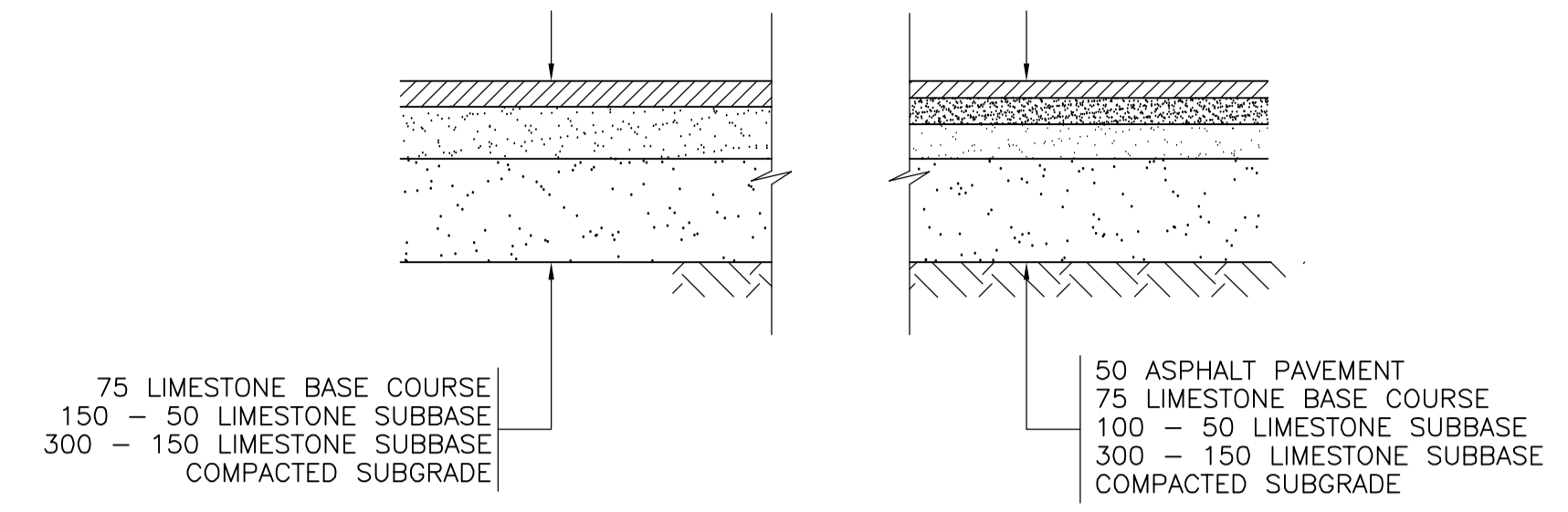


**FIELD CLOSURE (TYP)**  
SCALE 1:25



**762 SUPERNATANT CONNECTION TO WTP OVERFLOW**  
SCALE 1:25

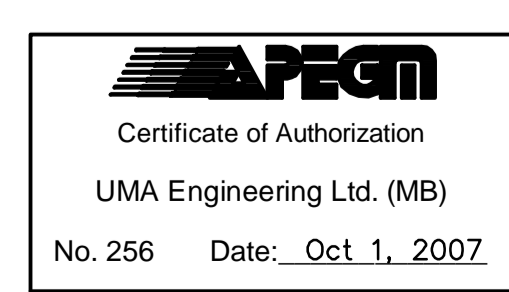


**GRAVEL ROADWAY**

**ASPHALT PAVEMENT**

**TYPICAL SECTIONS THRU EXISTING ROADWAY & PARKING AREAS**  
N.T.S.

**NOTE:**  
SURFACES MUST BE RESTORED FOLLOWING PIPE INSTALLATION



B.M. ELEV.				ENGINEER'S SEAL	
		© 2005 UMA ENGINEERING LTD. ALL RIGHTS RESERVED.		ORIGINAL SIGNED BY:	
		DESIGNED BY: EDT	CHECKED BY: MGM	E. D. J. TOUPIN MEMBER 23484	
		DRAWN BY: KMB	APPROVED BY: CCM	2007/10/01	
		HOR. SCALE: AS NOTED VERTICAL SCALE: AS NOTED		CONSULTANT DRAWING NO.	
		RELEASED FOR CONSTRUCTION BY: Ron Sorokowski		WY C0221	
00	681-2007 ISSUED FOR TENDER	07/09/27	WJd		
NO.	REVISIONS	DATE	BY		
		2007/09/27			
				WINNIPEG WATER TREATMENT PROGRAM CONSTRUCTION OF WATER TREATMENT PLANT OVERFLOW	
				CITY FILE NUMBER	
				SHEET 1 OF 1	
				CITY DRAWING NUMBER	
				1-0601Y-C-C0221-001-00D	