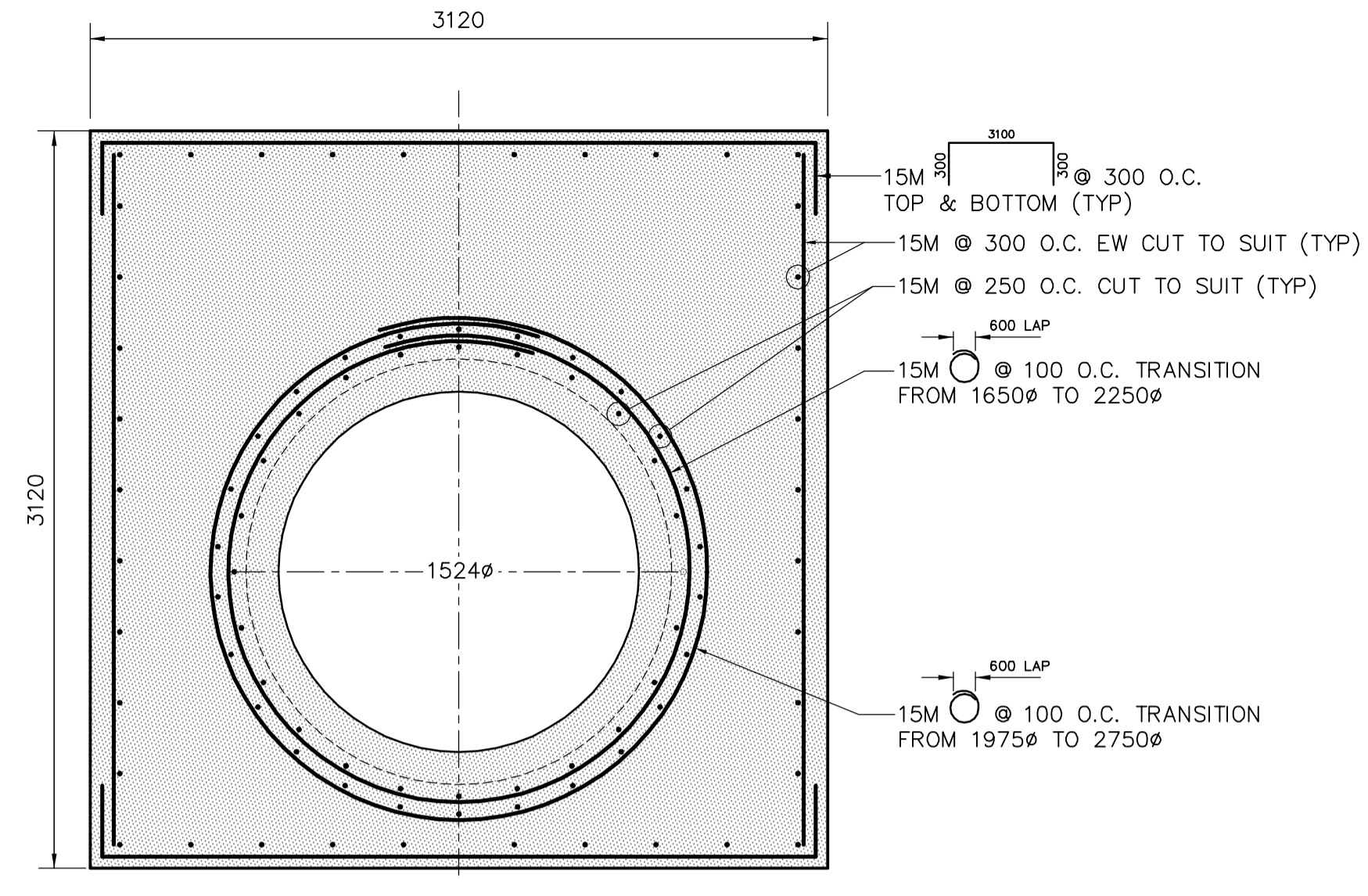
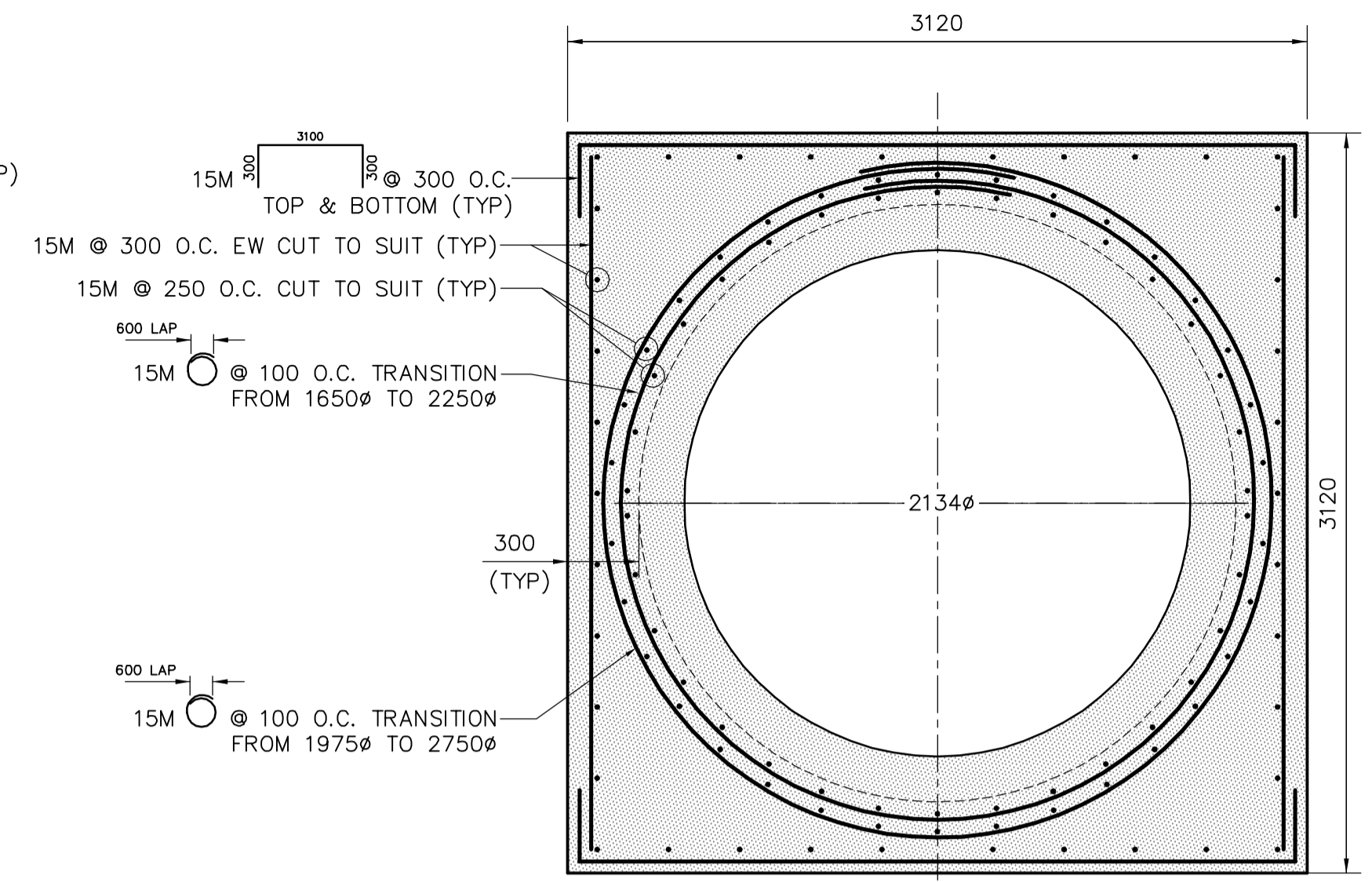


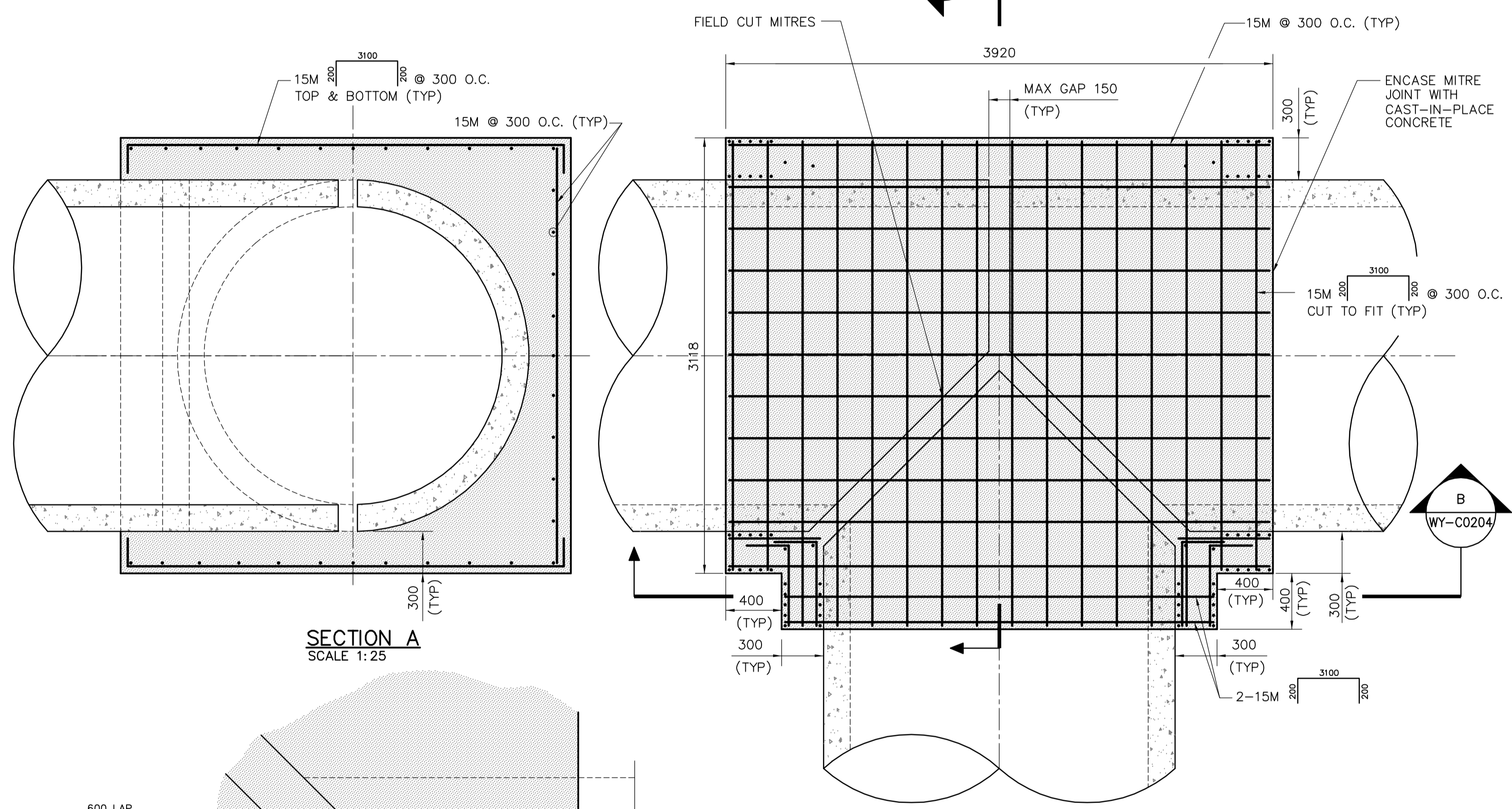
SECTION B
SCALE 1:25



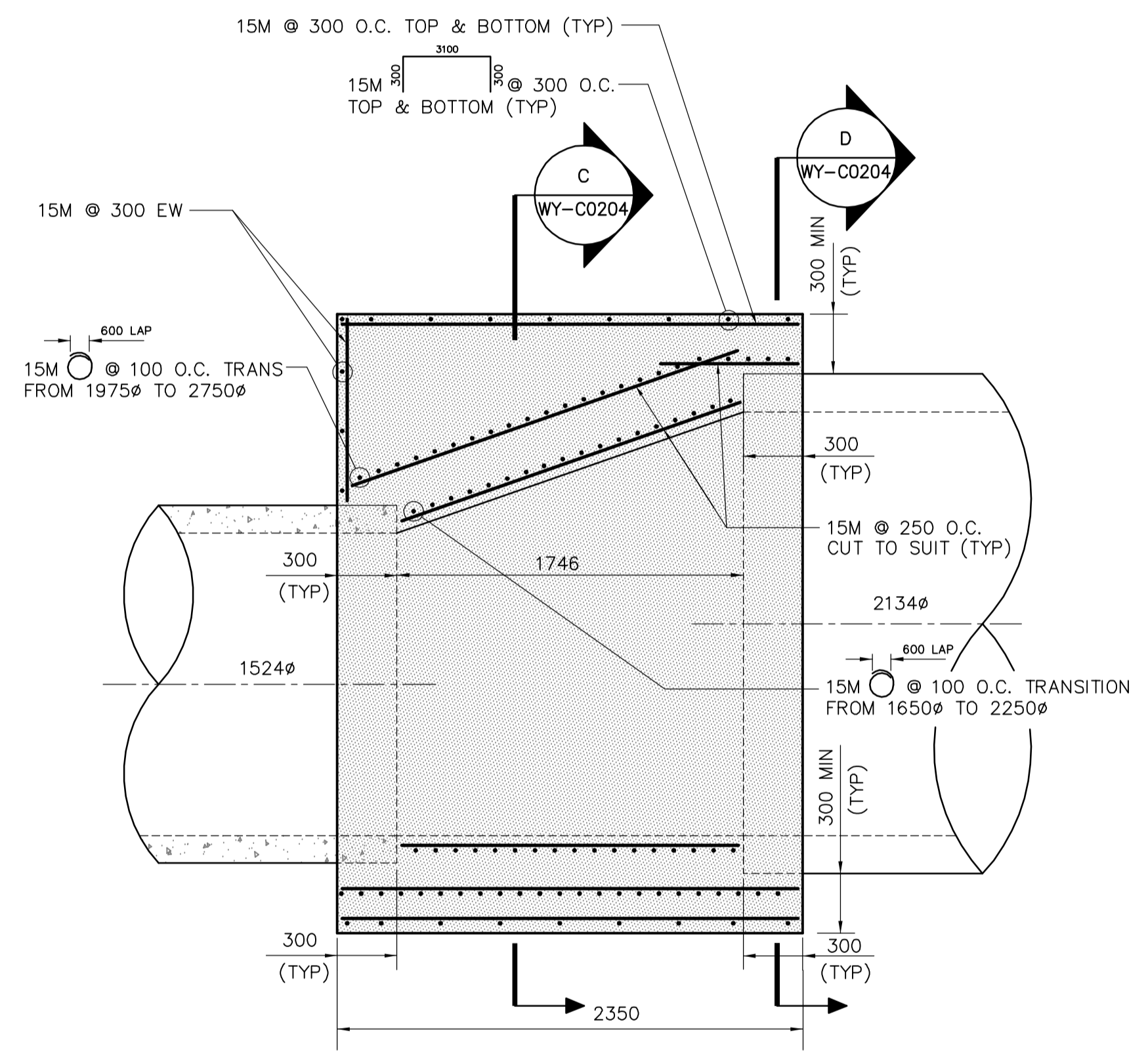
SECTION C
SCALE 1:25



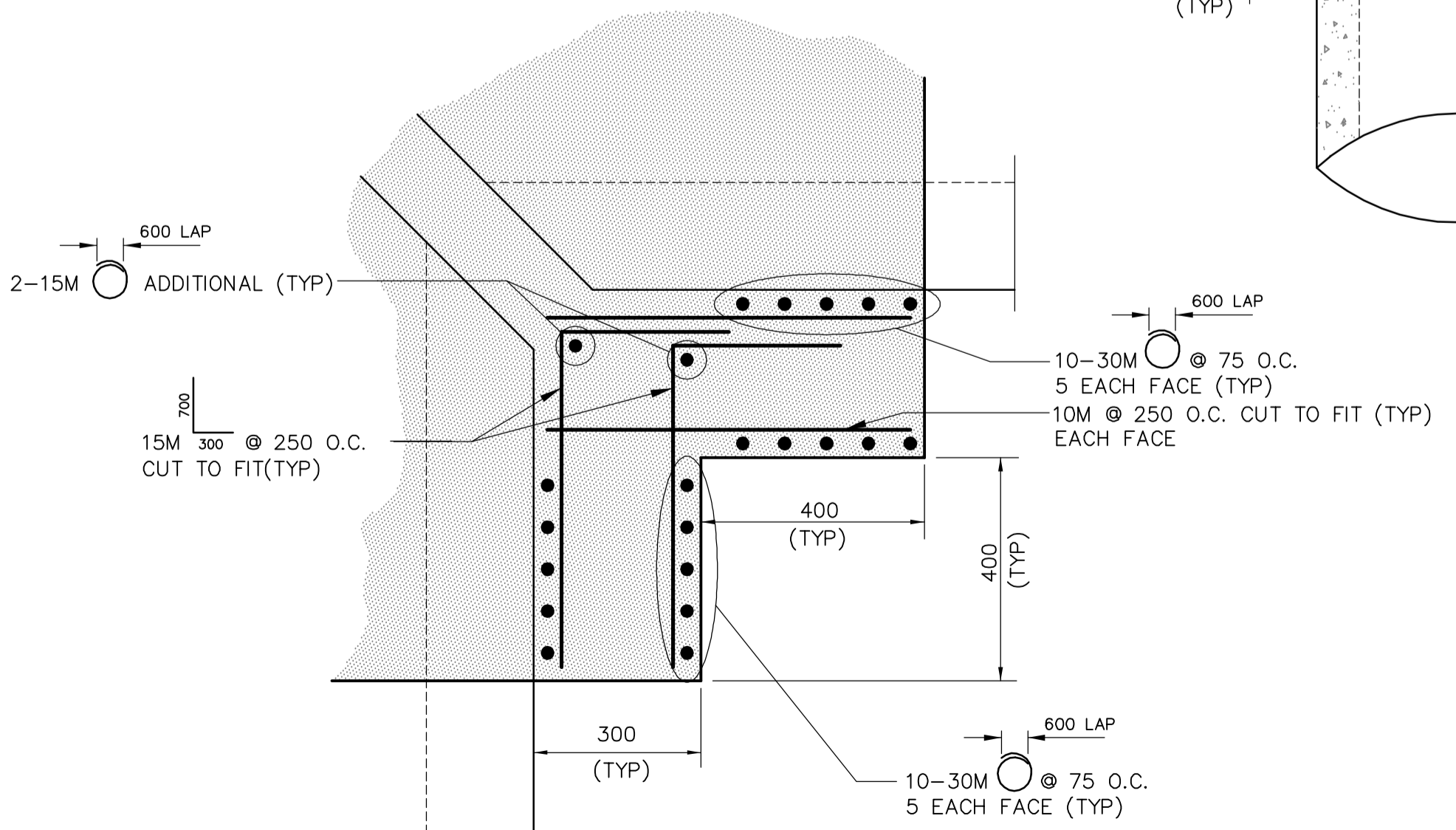
SECTION D
SCALE 1:25



SECTION A
SCALE 1:25

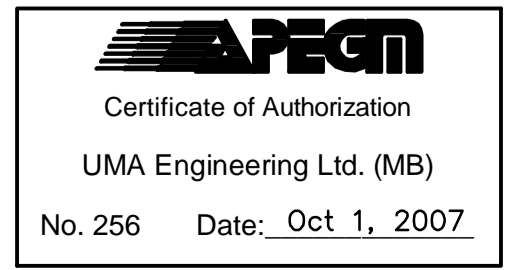


2134mm x 1524mm CONNECTION DETAIL
SCALE 1:25



2134mm TEE CORNER REBAR DETAIL
SCALE 1:10

2134mm TEE DETAIL
SCALE 1:25



B.M. ELEV.					
DESIGNED BY	EDT / GEB	CHECKED BY	MGM		
DRAWN BY	Wjd	APPROVED BY	CCM		
HOR. SCALE:	AS NOTED	RELEASED FOR CONSTRUCTION BY:	Ron Sorokowski		
VERTICAL SCALE:	AS NOTED				
NO.	681-2007 ISSUED FOR TENDER	DATE	07/09/27	BY	Wjd
NO.	REVISIONS	DATE	2007/09/27	DATE	October 1, 2007

UMA | AECOM

© 2005 UMA ENGINEERING LTD. ALL RIGHTS RESERVED.

ENGINEER'S SEAL

ORIGINAL SIGNED BY:
S. B. BISWANGER
2007/10/01

THE CITY OF WINNIPEG
WATER AND WASTE DEPARTMENT
ENGINEERING DIVISION

WINNIPEG WATER TREATMENT PROGRAM
CONSTRUCTION OF WATER TREATMENT
PLANT OVERFLOW

CIVIL
2134mm TEE & CONNECTION
MISCELLANEOUS SECTIONS AND DETAILS

CITY FILE NUMBER
SHEET 1 OF 1
CITY DRAWING NUMBER
1-0601Y-C-0220-001-00D

CONSULTANT DRAWING NO.
WY C0220