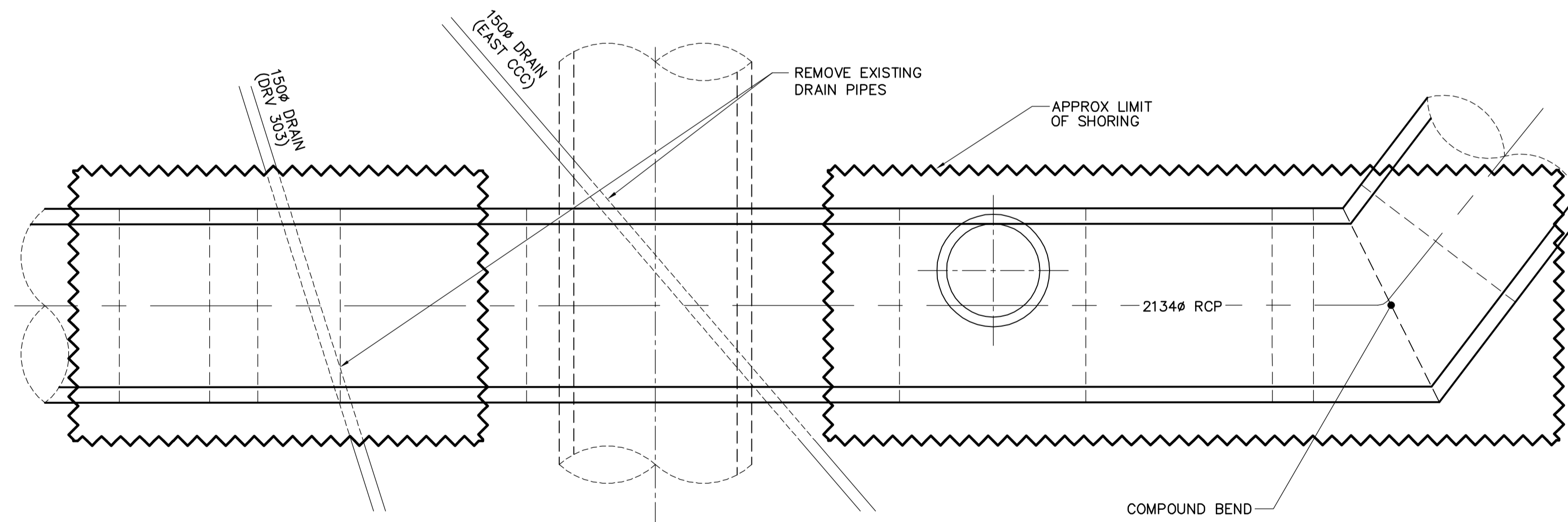
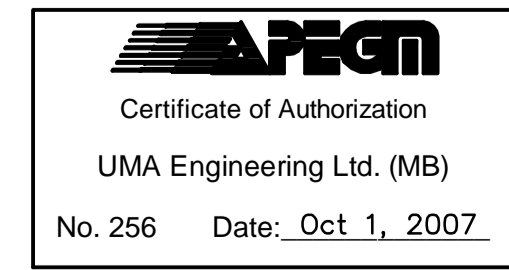


EXISTING CELL 3 OUTLET CROSSING DETAIL
SCALE 1:50



PLAN VIEW
SCALE 1:50

UMA REVIEW DRFT CHK



B.M. ELEV.					
UMA AECOM					
<small>© 2005 UMA ENGINEERING LTD. ALL RIGHTS RESERVED.</small>					
DESIGNED BY	EDT	CHECKED BY	MGM		
DRAWN BY	Wjd	APPROVED BY	CCM		
HOR. SCALE: AS NOTED		RELEASED FOR CONSTRUCTION BY:			
VERTICAL SCALE: AS NOTED		Ron Sorokowski			
NO.	REVISIONS	DATE	BY	DATE	2007/09/27
00	681-2007 ISSUED FOR TENDER	07/09/27	Wjd	DATE	October 1, 2007

ENGINEER'S SEAL	
ORIGINAL SIGNED BY:	E. D. J. TOUPIN
	MEMBER 23484
	2007/10/01
CONSULTANT DRAWING NO.	WY C0219

THE CITY OF WINNIPEG
WATER AND WASTE DEPARTMENT
ENGINEERING DIVISION

Winnipeg

WINNIPEG WATER TREATMENT PROGRAM
CONSTRUCTION OF WATER TREATMENT
PLANT OVERFLOW

CIVIL
2134# SIPHON
MISCELLANEOUS SECTIONS AND DETAILS

CITY FILE NUMBER	
SHEET 1 OF 1	
CITY DRAWING NUMBER	1-0601Y-C-C0219-001-00D