

- o KEYBOARD TRAY/DRAWER
- o STANDARD HUTCH
- o 2 GROMMETS
- o GUEST TABLE (RUNOFF)
- o WORK SURFACE FILLER PIECE (45°)
- o 2 MOBILE PEDS, LOCKABLE, KEYPAD LOCKS
1 @ BBF, 1 @ FF

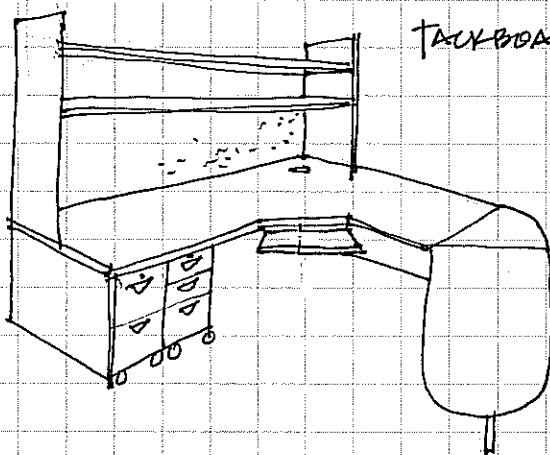
COLOURS

CARCASS: SLATE

WORKSURFACES + HUTCH:

CANDLELIGHT

TACKBOARD: NUTMEG #52



CHARLESWOOD LIBRARY
5014 ROBIN BLVD

CHILDREN'S DESK