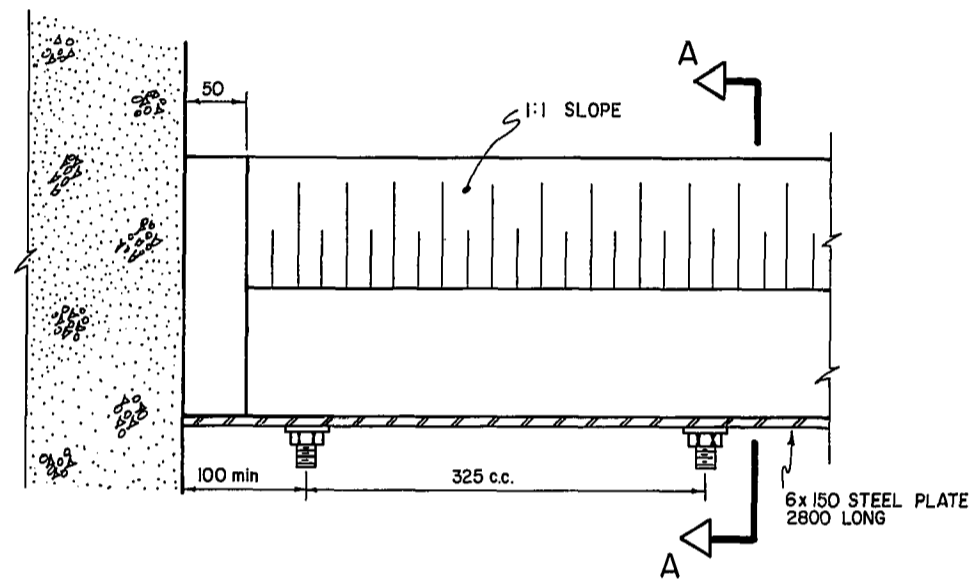


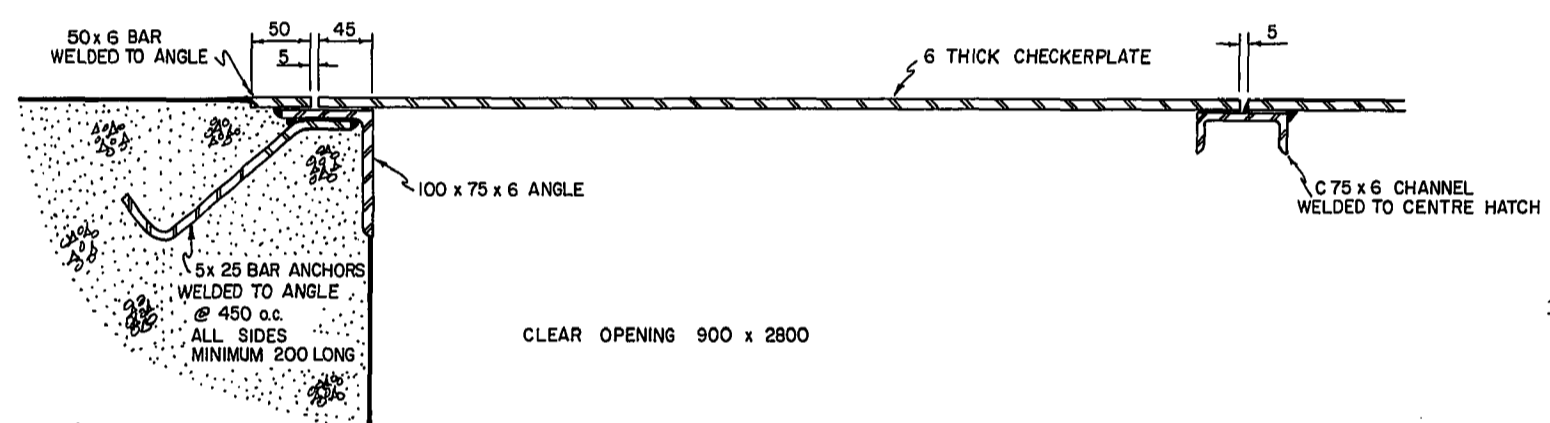
PLAN VIEW OF ACCESS FRAME AND COVER

SCALE: 1:10
(SEE DRWG. MLD-150)



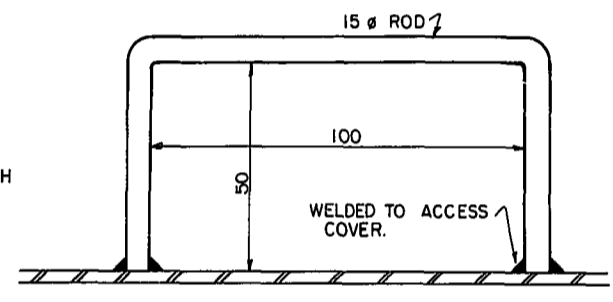
PLAN VIEW OF WEIR WALL & WEIR PLATE

SCALE: 1:4



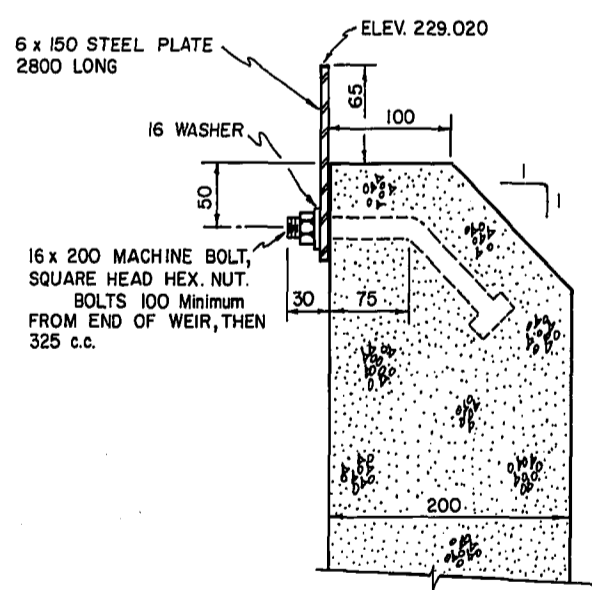
FRAME DETAIL

SCALE: 1:4



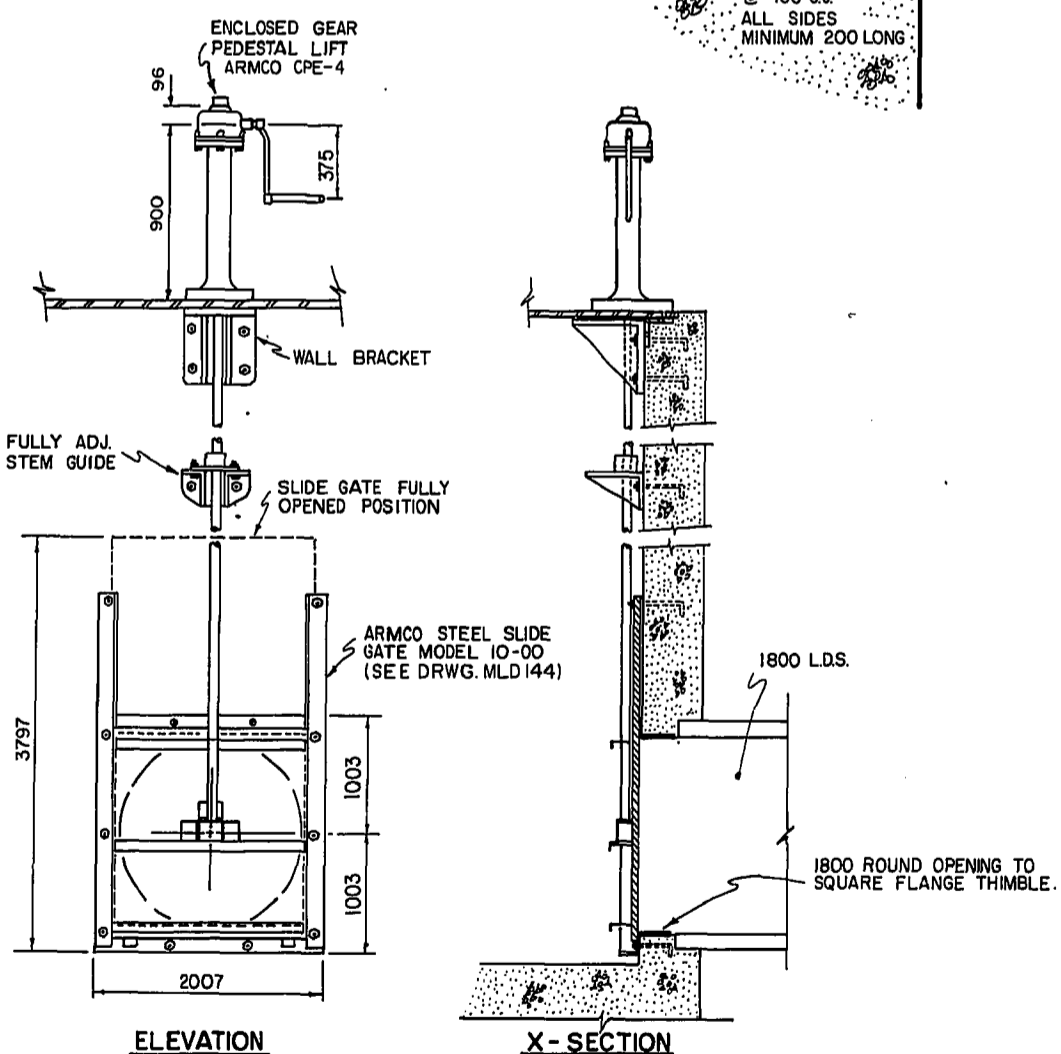
LIFTING HOOK DETAIL

N.T.S.



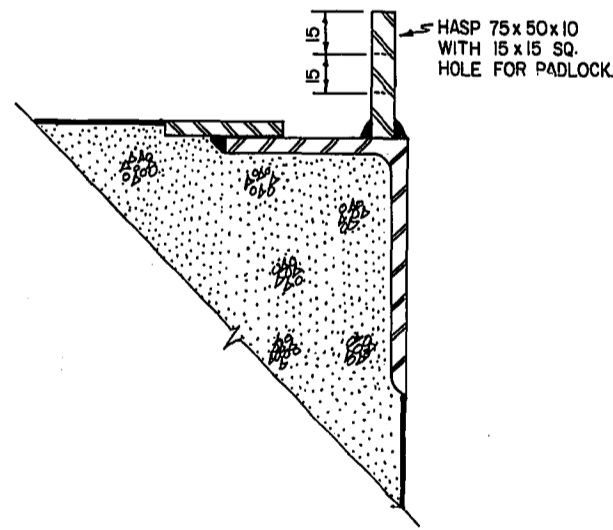
SECTION A-A

SCALE: 1:4



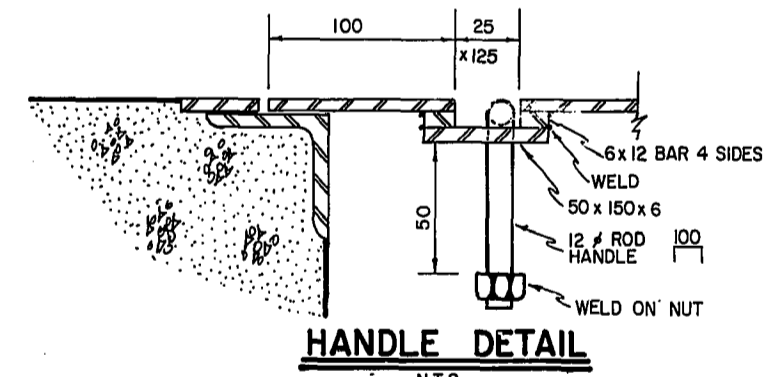
SLIDE GATE DETAIL

N.T.S.



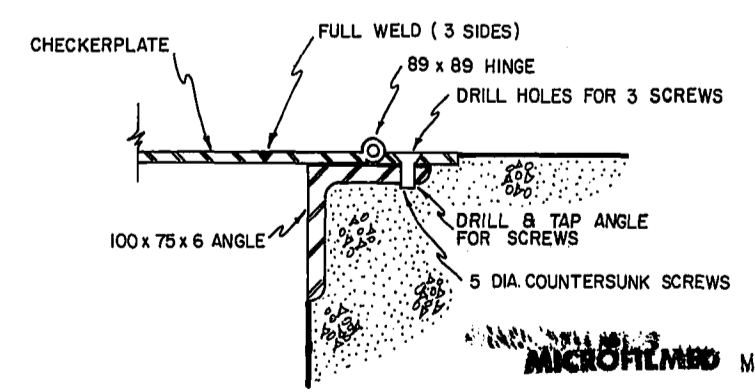
HASP DETAIL

SCALE: 1:2



HANDLE DETAIL

N.T.S.



HINGE DETAIL

N.T.S.

THIS DRAWING IS METRIC RECORD DRAWING

SHEET 6 of 13

REV.	DESCRIPTION	DWN.	APP.	DATE
B	REV. TO RECORD DRWG.	G.D.F.		21-07-81
A	ADDED TOP LADDER RUNGS TO ACCESS FRAME.	G.D.F.		19/06/81

Professional Engineer seals for B.T. WELSH and W.D.K. MOORE, both registered in the Province of Manitoba.

Underwood McLellan Ltd.
Consulting Engineers and Planners
APPROVED BY: [Signature] DATE: 23 Jun 80
DRAWN BY: B.R.M. DESIGNED BY: I.MCK.
CHECKED BY: [Signature] CHECKED BY: [Signature]
SCALE: AS SHOWN JOB No. 02-1393-007-12



THE CITY OF WINNIPEG DISTRICT 6
CAIRNS HOMES LTD.
LOT 16 LAKES CONTROL MANHOLE MISCELLANEOUS DETAILS
AB22 B
DWG. No. REV.