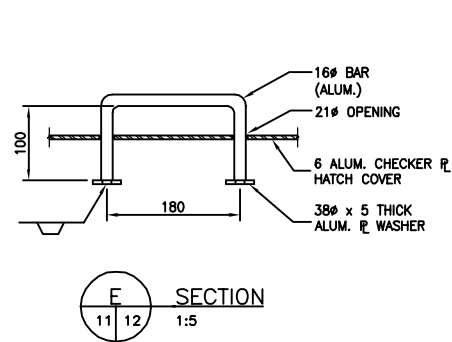
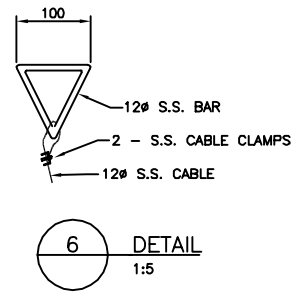


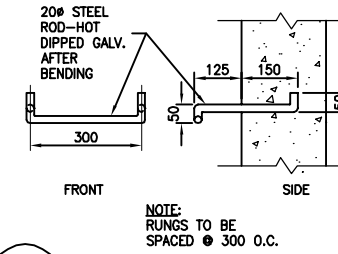
**A** HATCH COVER BOLT DOWN SECTION  
1:5



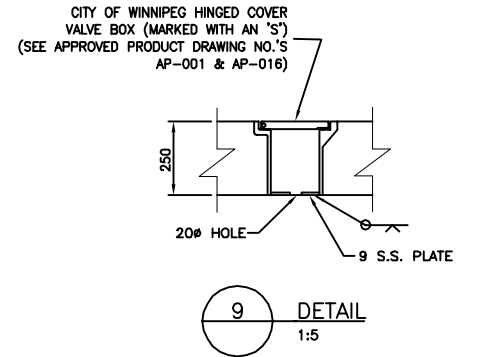
**F** SECTION  
1:5



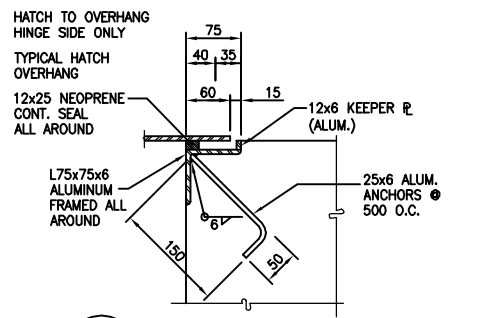
**6** DETAIL  
1:5



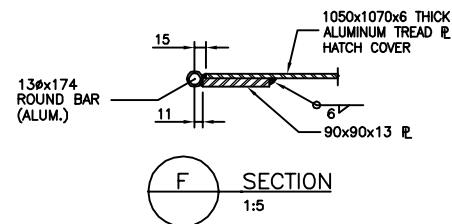
**8** TYPICAL LADDER RUNG DETAIL  
1:10



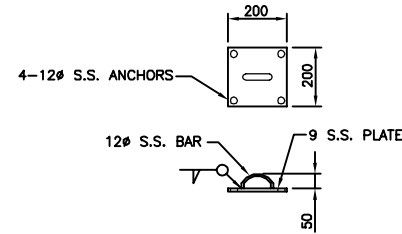
**9** DETAIL  
1:5



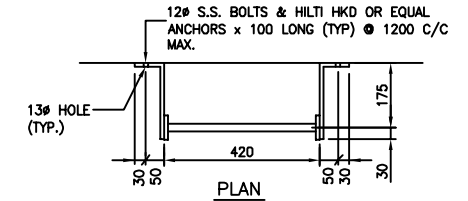
**B** HATCH SUPPORT SECTION  
1:5



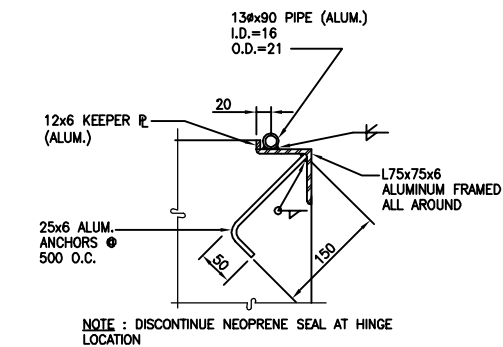
**F** SECTION  
1:5



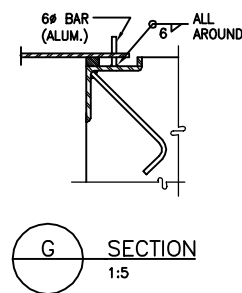
**7** LIFTING CABLE GUIDE DETAIL  
NTS



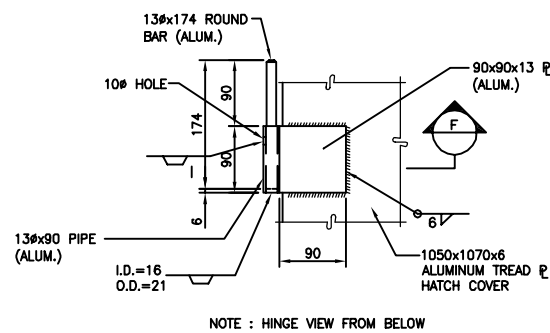
PLAN



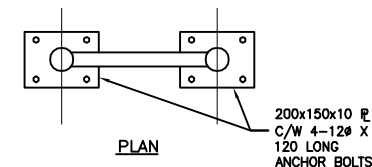
**C** SECTION  
1:5



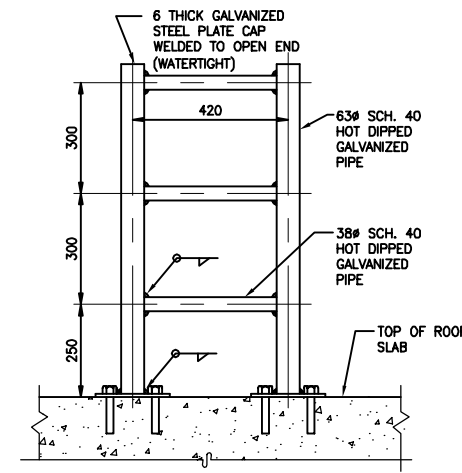
**G** SECTION  
1:5



**1** DETAIL  
1:5

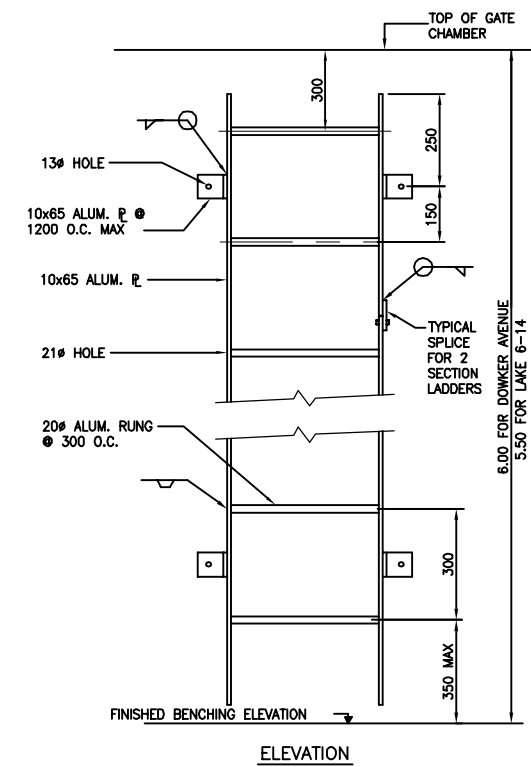


PLAN



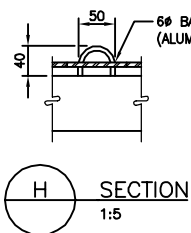
ELEVATION

**3** HAND HOLD DETAIL  
1:10

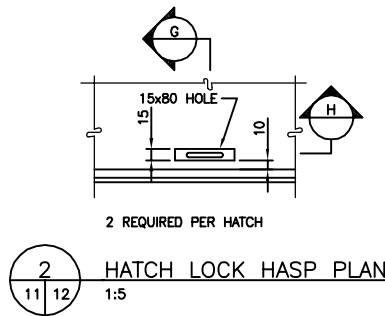


ELEVATION

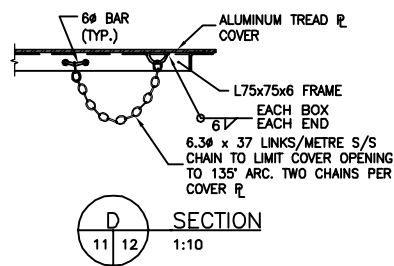
**4** LADDER DETAIL  
1:10



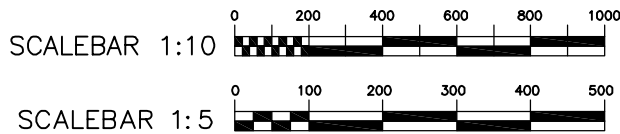
**H** SECTION  
1:5



**2** HATCH LOCK HASP PLAN  
1:5



**D** SECTION  
1:10



NOTE: ALL NUTS, BOLTS AND FASTENERS TO BE TYPE 316 STAINLESS STEEL

METRIC  
WHOLE NUMBERS INDICATE MILLIMETRES  
DECIMALIZED NUMBERS INDICATE METRES

|               |               |  |                           |  |   |  |                |
|---------------|---------------|--|---------------------------|--|---|--|----------------|
| B.M. ELEV.    | FIELD BOOK #: | <b>CITY OF WINNIPEG<br/>WATER AND WASTE<br/>ENGINEERING DIVISION</b> |                           | ENGINEER'S SEAL                        |   | <b>THE CITY OF WINNIPEG<br/>WATER AND WASTE DEPARTMENT</b> | SHEET 11 OF 11 |
| POSTED TO LBS |               | DESIGNED BY DGS  | CHECKED BY TW             | ORIGINAL SIGNED BY K.R. ZUREK 07/08/30 |   |  |                |
|               |               | DRAWN BY CJH   | APPROVED BY KZ            |  | <b>DOWKER AVENUE &amp; LAKE 6-14</b>  |  |                |
|               |               | HOR. SCALE AS VERTICAL SHOWN   | RELEASED FOR CONSTRUCTION |  | LDS GATE CHAMBERS MISCELLANEOUS DETAILS                                     |  |                |
| NO. REVISIONS | DATE          | BY   | DATE                      | 2007 08 30                             | BID OPPORTUNITY: 663-2005<br>FILENAME: LD-3556.dwg<br>PLOT DATE: 2007 08 30 |  | <b>LD-3556</b> |