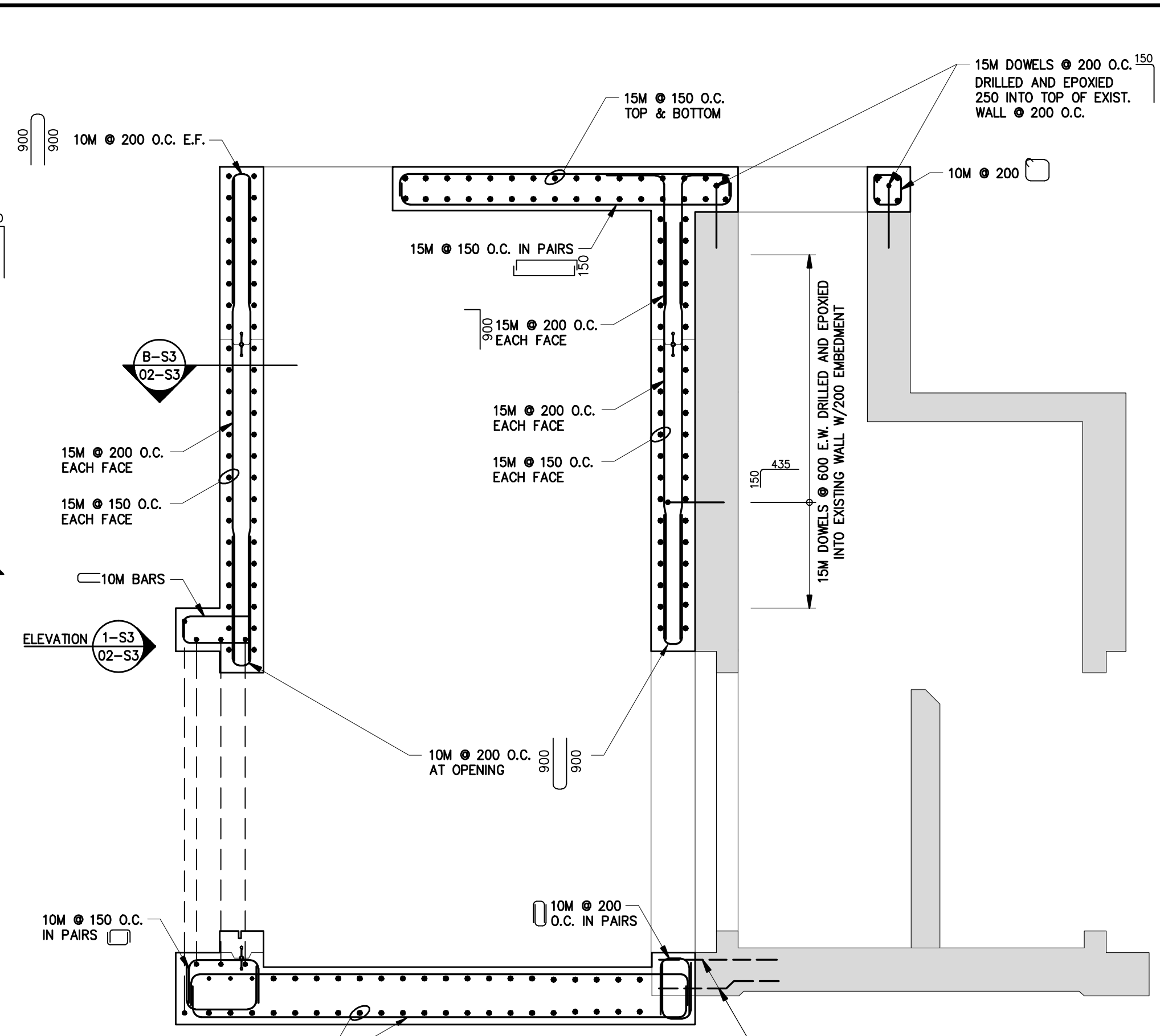
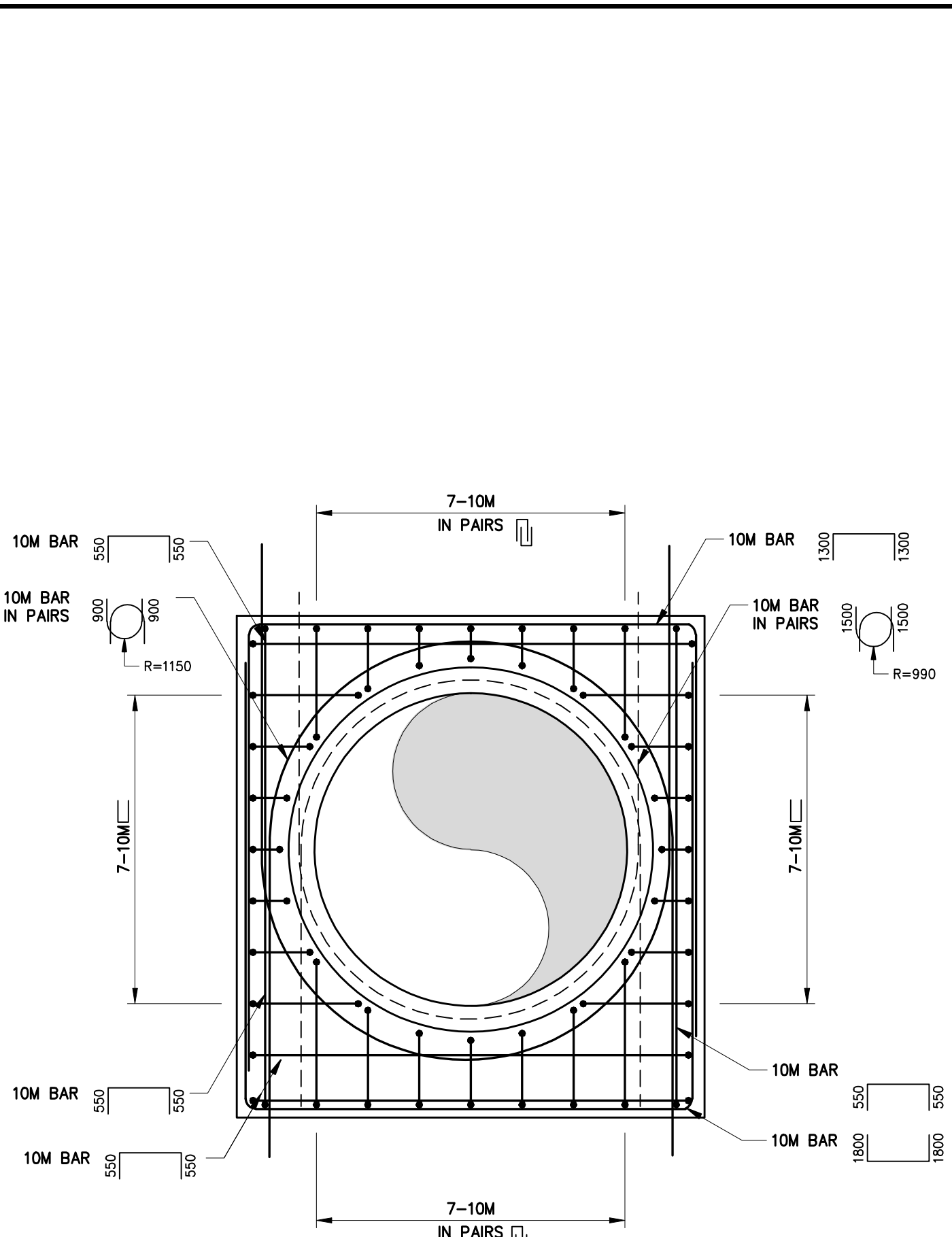


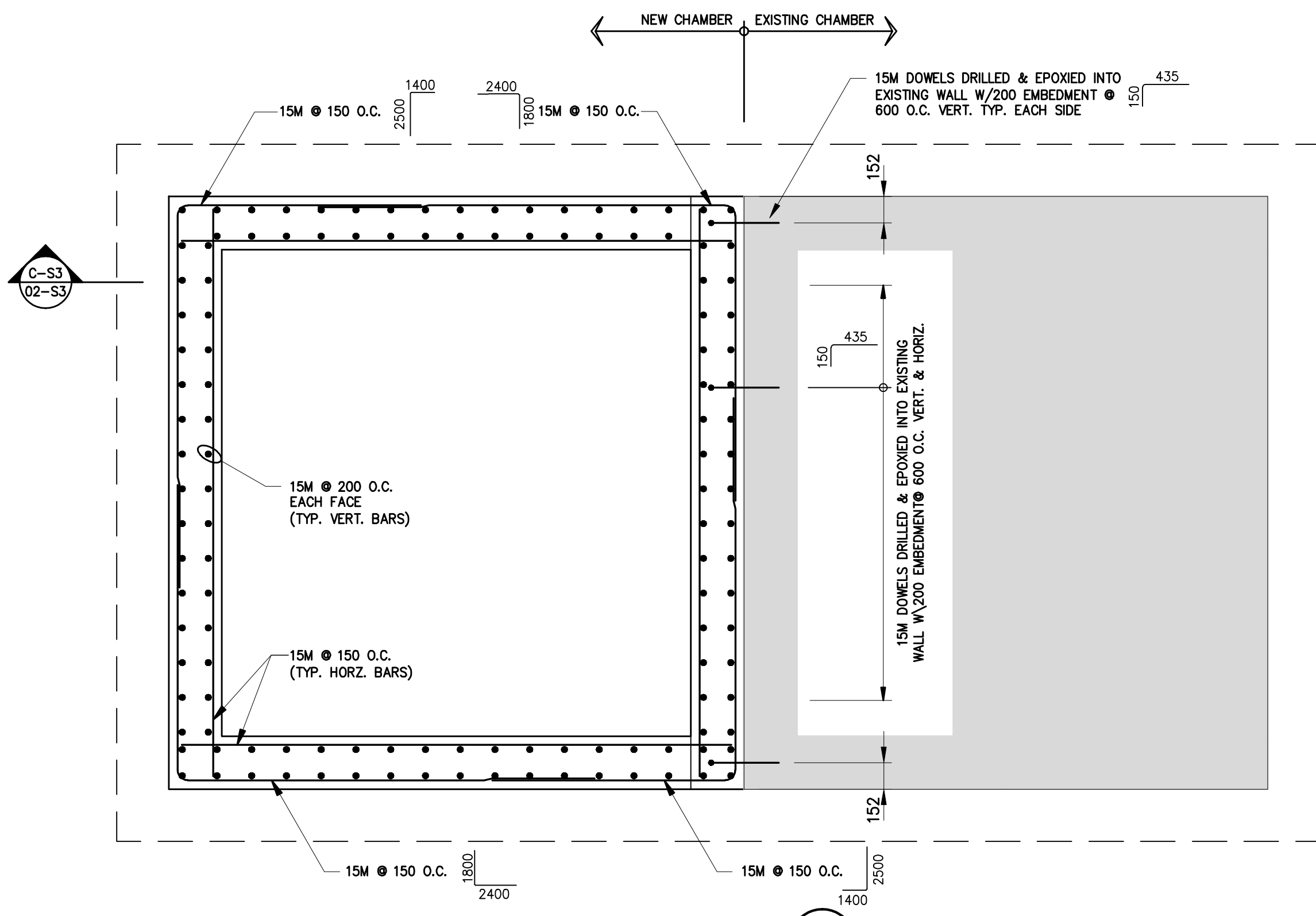
ROOF SLAB REINFORCING PLAN
1:25



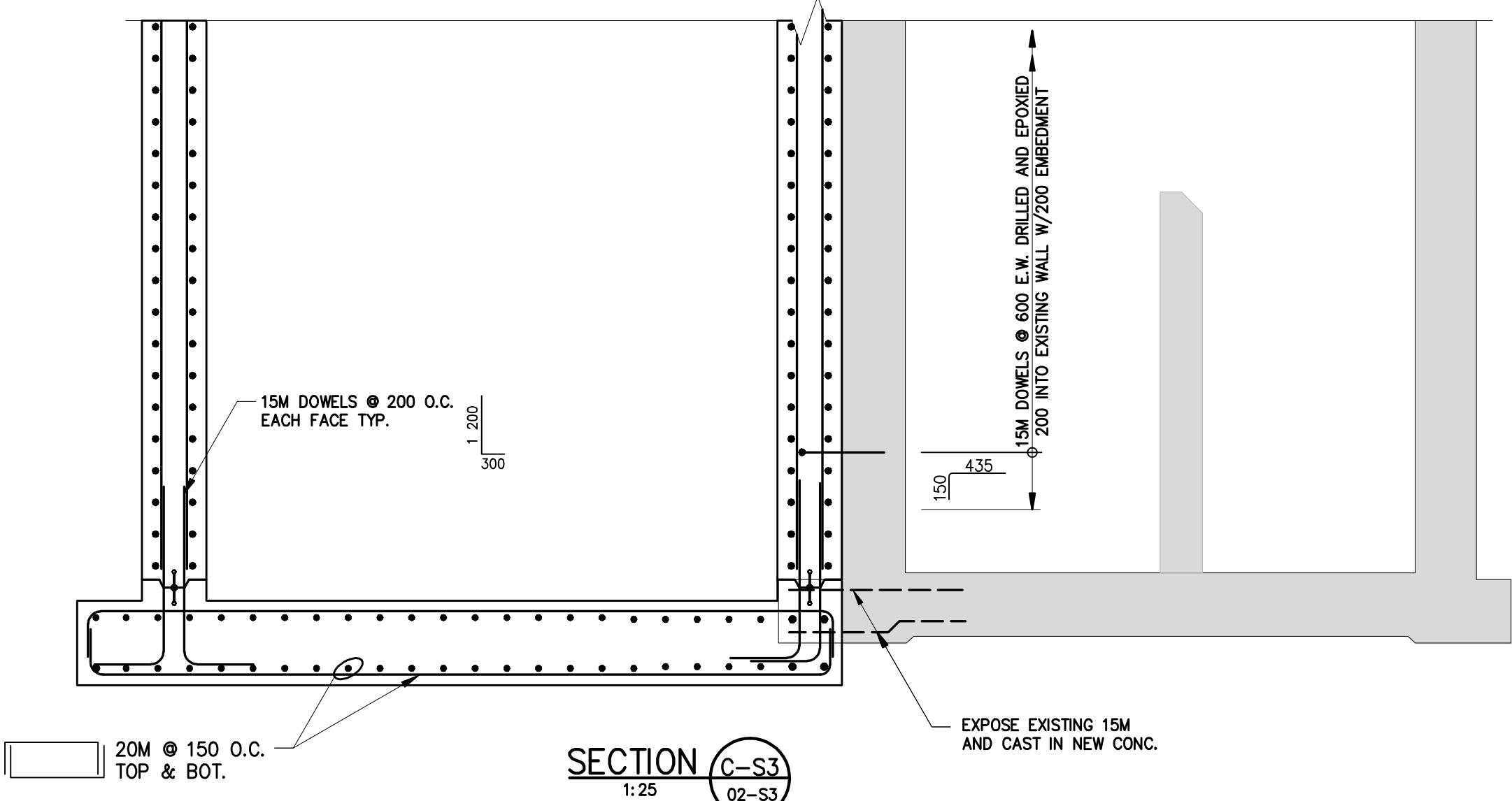
SECTION (THROUGH C OF PIPE)
1:30



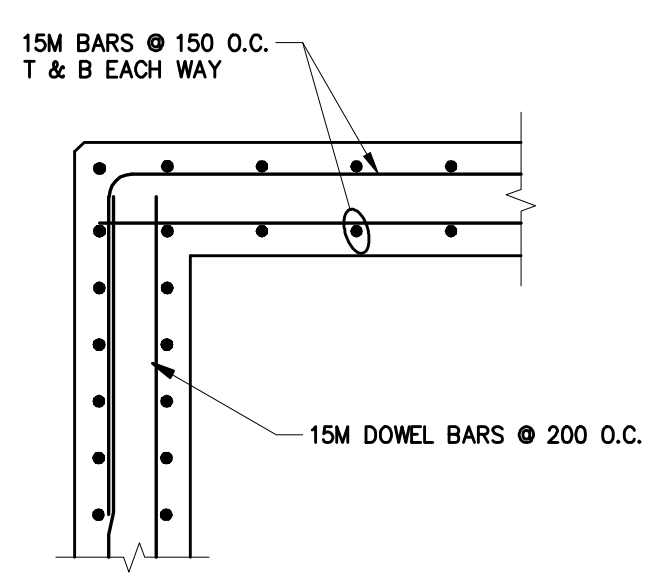
ELEVATION 1-S3
1:30



SECTION B-S3
1:30



SECTION C-S3
1:25



SECTION D-S3
1:20

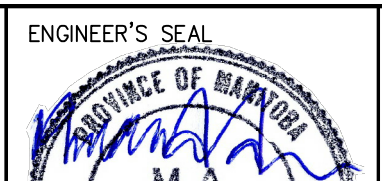
Aug 29, 2007 - 4:47pm P:\41800 - 41866\41866\Drawings\14 lakes\41866.dwg -tab:reinforcing



METRIC
WHOLE NUMBERS INDICATE MILLIMETRES
DECIMALIZED NUMBERS INDICATE METRES

A-B
C
A = DETAIL/SECTION No.
B = DRAWING WHERE SHOWN
C = DRAWING WHERE TAKEN

DESIGNED BY	DM	CHECKED BY	GK
DRAWN BY	ML	APPROVED BY	MH
HOR. SCALE	AS SHOWN	RELEASED FOR CONSTRUCTION	
DATE	2007 08 29	DATE	



THE CITY OF WINNIPEG
WATER AND WASTE DEPARTMENT

2007 OUTFALL GATE CHAMBER CONSTRUCTION & UPGRADES
LAKE 6-14 LDS GATE CHAMBER
REINFORCING DETAILS

CONSULTANT DRAWING NUMBER
41866-02-S3

SHEET 7 OF 11

CITY DRAWING NUMBER
LD-3548