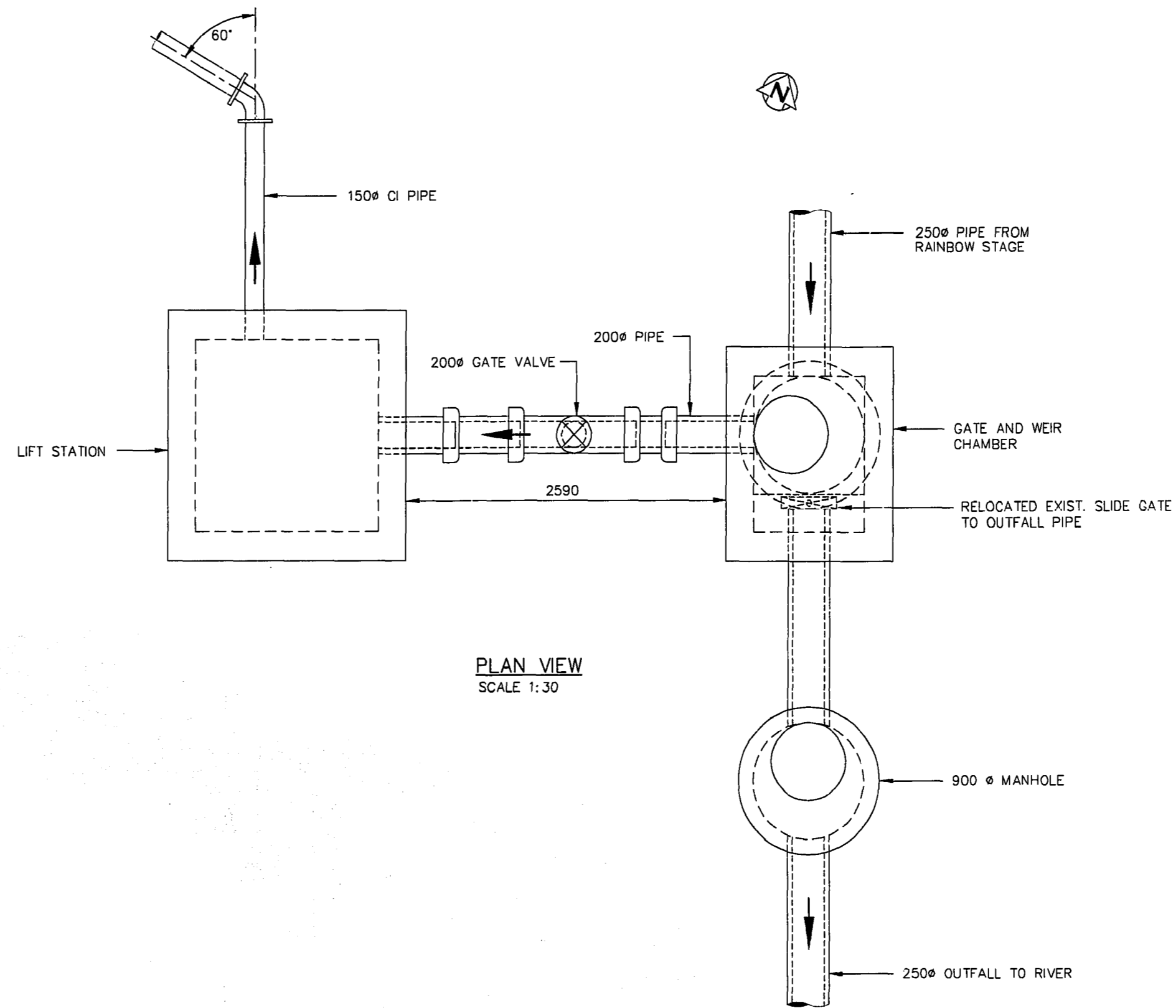
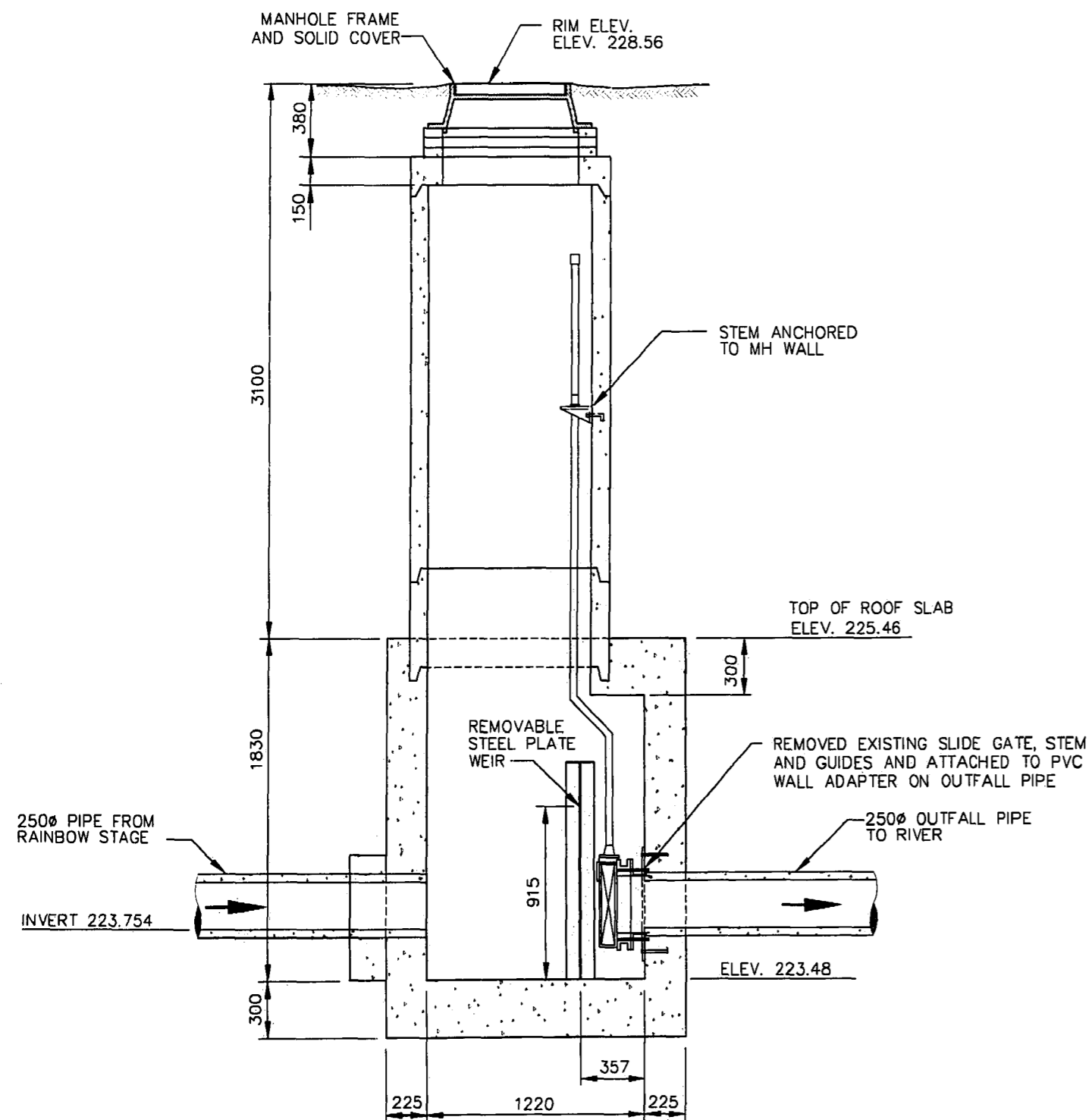


PLAN VIEW ELEV. 225.000  
SCALE 1:25



PLAN VIEW  
SCALE 1:30



SECTION A-A  
SCALE 1:25

NOTE:  
SEE DRAWING ZS-35 FOR ORIGINAL CONSTRUCTION DETAILS.

METRIC  
WHOLE NUMBERS INDICATE MILLIMETRES  
DECIMALIZED NUMBERS INDICATE METRES

**AS-CONSTRUCTED**  
*H. Dalton* 98.05.05  
INSPECTION / SURVEY / TECHNICAL SERVICES / DATE  
WATER AND WASTE DEPARTMENT

B.M. ELEV.				<b>CITY OF WINNIPEG WATER AND WASTE ENGINEERING DIVISION</b>				ENGINEER'S SEAL	
DESIGNED BY		TW		CHECKED BY		TW		PLOT DATE MARCH 05, 1998	
DRAWN BY		TM		APPROVED BY					
HOR. SCALE		AS NOTED		RELEASED FOR CONSTRUCTION					
VERTICAL		AS NOTED							
1	AS-BUILT	98.03.04	TM						
NO.	REVISIONS	DATE	BY	DATE	OCTOBER 1995	DATE			

<b>THE CITY OF WINNIPEG</b> WATER AND WASTE DEPARTMENT		SHEET OF	
KILDONAN PARK LIFT STATION UPGRADING		CITY DRAWING NUMBER	
RAINBOW STAGE GATE AND WEIR CHAMBER SLIDE GATE RELOCATION		<b>1447</b>	