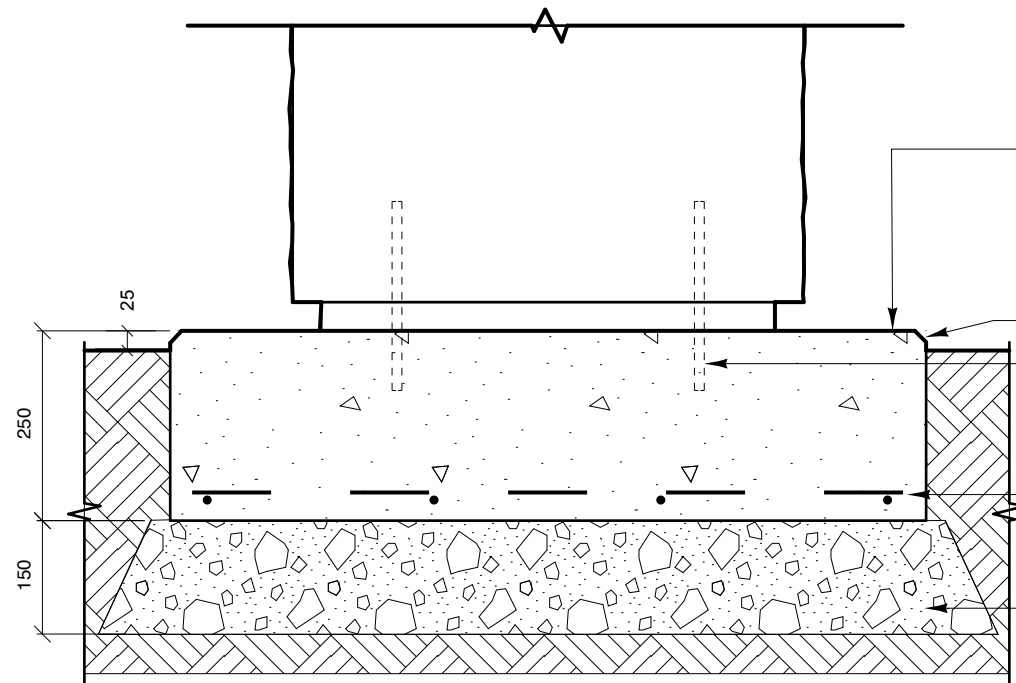


1 LARGE CONCRETE SLAB: PLAN
SB-3 SCALE: 1:10



2 LARGE CONCRETE SLAB: SECTION
SB-3 SCALE: 1:10

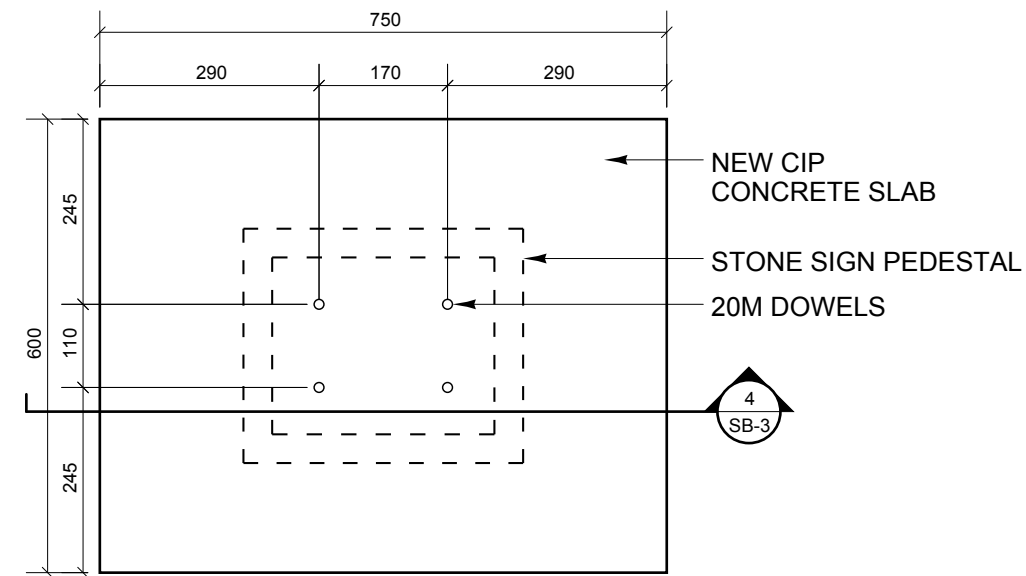
CIP CONC. SLAB
EXPOSURE CLASS C1
32 MPa, TYPE 50 CEMENT
100mm SLUMP MAX
19 Ø AGGREGATE MAX.
4-7% AIR ENTRAINMENT

15mm CHAMFER TYP.

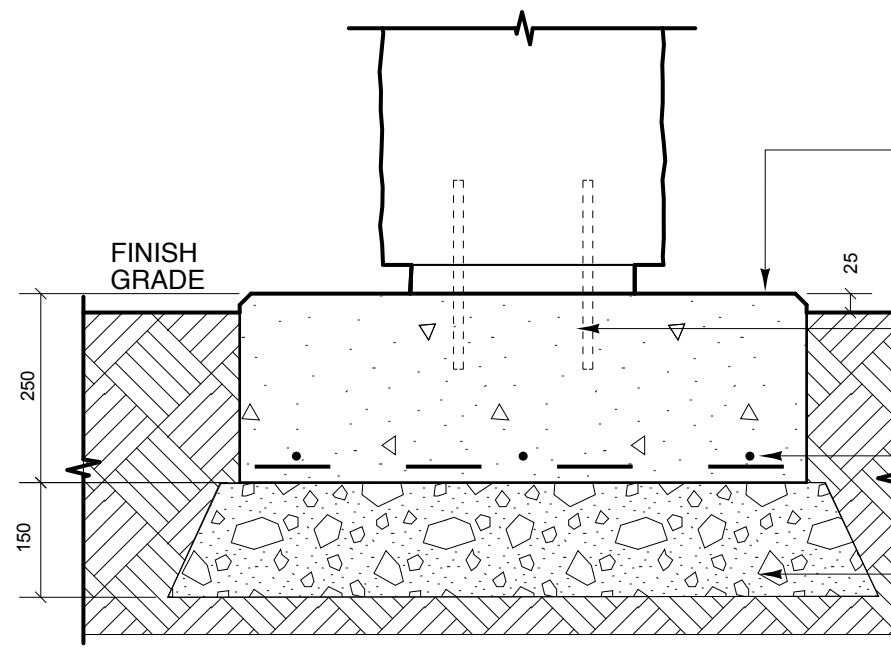
250 LONG
20M DOWELS
DRILL AND EPOXY INTO
EXISTING CONCRETE PAD

REINFORCE BOTTOM W/
10M BARS EACH
WAY @ 300 O.C.
MIN. 50 COVER

150 DEPTH COMPACTED
GRANULAR 'A' BASE



3 SMALL CONCRETE SLAB: PLAN
SB-3 SCALE: 1:10



4 SMALL CONCRETE SLAB: SECTION
SB-3 SCALE: 1:10

CIP CONC. SLAB
EXPOSURE CLASS C1
32 MPa, TYPE 50 CEMENT
100mm SLUMP MAX
19 Ø AGGREGATE MAX.
4-7% AIR ENTRAINMENT

250 LONG
20M DOWELS
DRILL AND EPOXY INTO
CIP CONCRETE PAD

REINFORCE BOTTOM W/
10M BARS EACH
WAY @ 300 O.C.
MIN. 50 COVER

150 DEPTH COMPACTED
GRANULAR 'A' BASE

SCOTIA ST.
INTERPRETIVE SIGN
INSTALLATION

Project Title

NEW CONCRETE SLABS

Drawing Title

HILDERMAN
THOMAS
FRANK
CRAM



Landscape Architecture • Planning
500-115 Bannatyne Avenue East, Winnipeg, Manitoba R3B 0R3
Telephone 204-944-9907 Facsimile 204-957-1467

Drawn	SA / AK	Approved	RGM
Scale	1:10	Date	AUGUST 28/07
Job	07 061	Drawing	SB-3