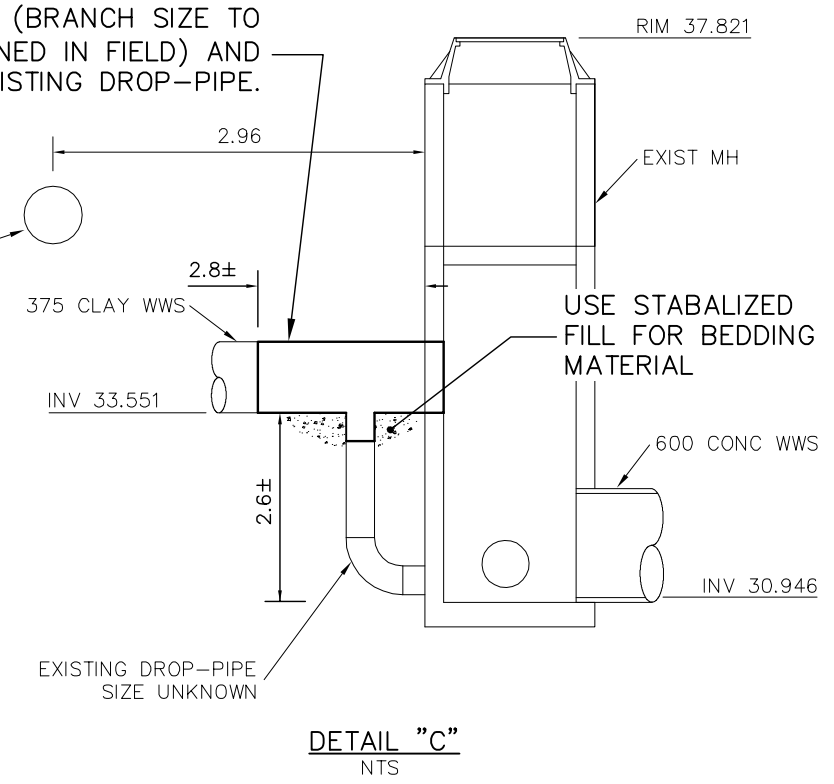
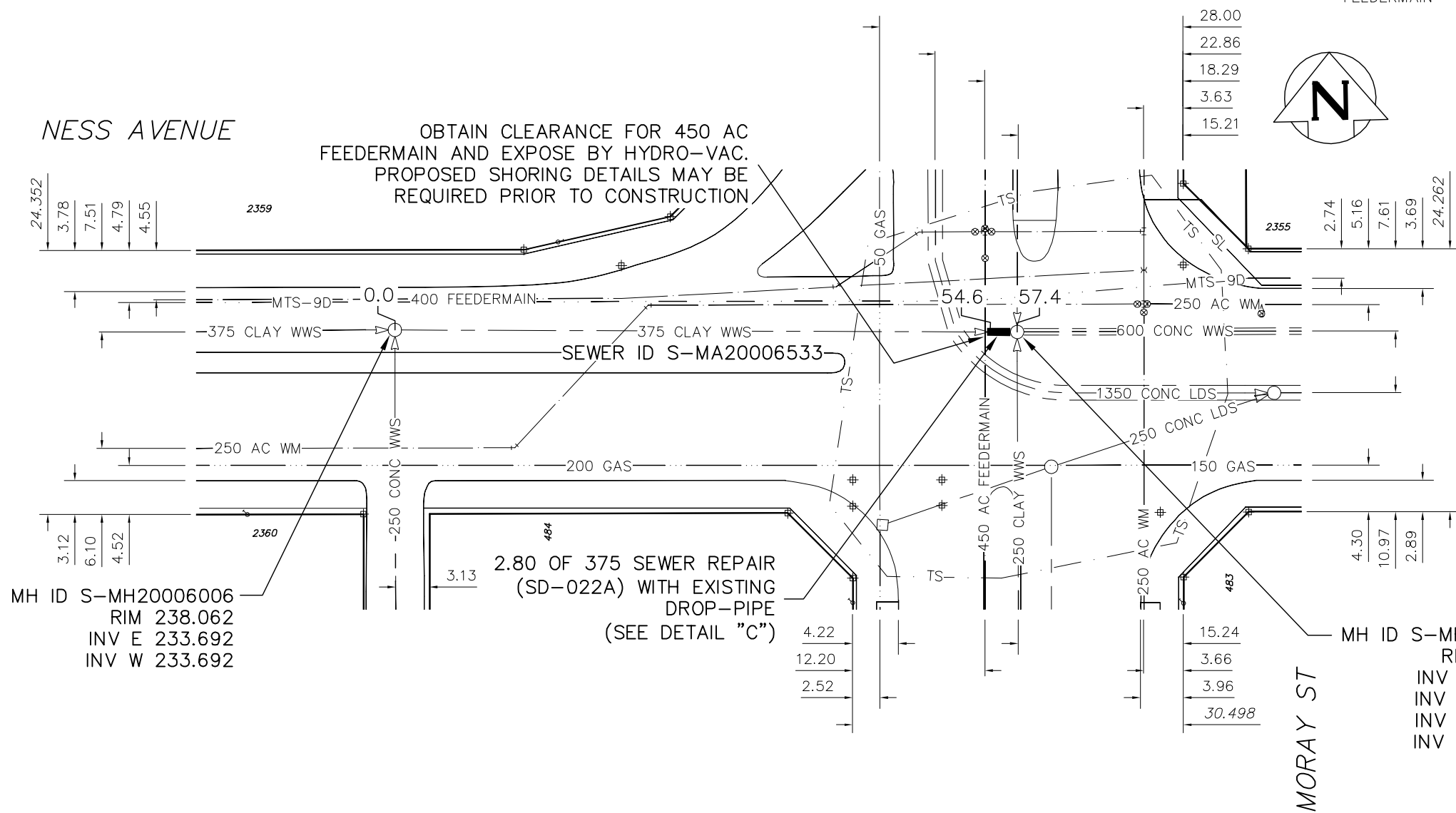


NOTES:

1. BACKFILL UNDER PAVEMENT, IN SIDEWALKS, & WITHIN 1.0 m OF PAVEMENT TO BE CLASS 3.
2. CONFIRM LIMITS OF REPAIR IN PRESENCE OF THE CONTRACT ADMINISTRATOR BY CCTV.

INSTALL 375 TEE (BRANCH SIZE TO BE DETERMINED IN FIELD) AND CONNECT TO EXISTING DROP-PIPE.



MH ID S-MH20006006
RIM 238.062
INV E 233.692
INV W 233.692

2.80 OF 375 SEWER REPAIR (SD-022A) WITH EXISTING DROP-PIPE (SEE DETAIL "C")

MH ID S-MH20006051
RIM 237.821
INV W 233.551
INV S 230.946
INV E 230.946
INV N 230.946

SEWER JUNCTION INFORMATION FROM SEWER VIDEO INSPECTION S-MA20006533
DISTANCE FROM MH S-MH20006006
NO SERVICES WITHIN REPAIR

ENGINEER'S SEAL

ORIGINAL SIGNED BY K.R. ZUREK
07/09/10

CONTRACT 16
FILENAME : 06167.dwg
PLOT DATE : 2007 09 10

LEGEND:

52.0 | MEASUREMENT TO REPAIR FROM REFERENCE MH SHOWN THUS...

METRIC
WHOLE NUMBERS INDICATE MILLIMETRES
DECIMALIZED NUMBERS INDICATE METRES

B.M. ELEV.	FIELD BOOK #:	CITY OF WINNIPEG WATER AND WASTE ENGINEERING DIVISION	
POSTED TO LBIS		DESIGNED BY NC	CHECKED BY TW/KZ
		DRAWN BY CJH	APPROVED BY KZ
		HOR. SCALE 1:500	RELEASED FOR CONSTRUCTION
		VERTICAL	
NO. REVISIONS	DATE BY	DATE 2007 09 10	DATE

THE CITY OF WINNIPEG
WATER AND WASTE DEPARTMENT

2007 SEWER RENEWALS AND REPAIRS
CONTRACT 16
NESS AVENUE
1ST MH W OF MORAY STREET TO MH AT MORAY STREET

SHEET 9 OF 25
CITY DRAWING NUMBER
06167