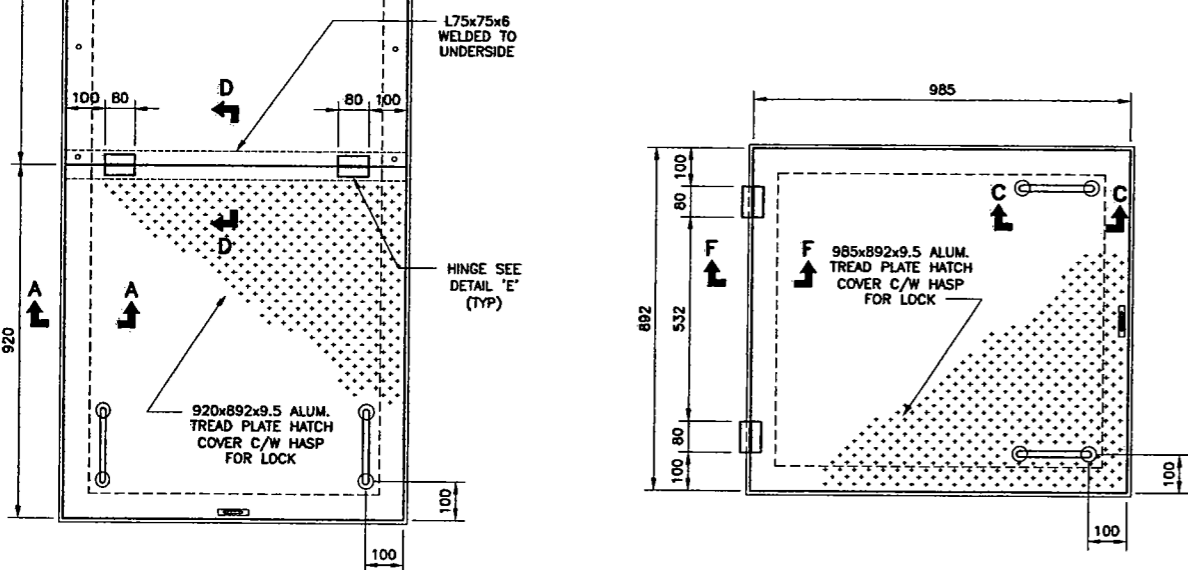
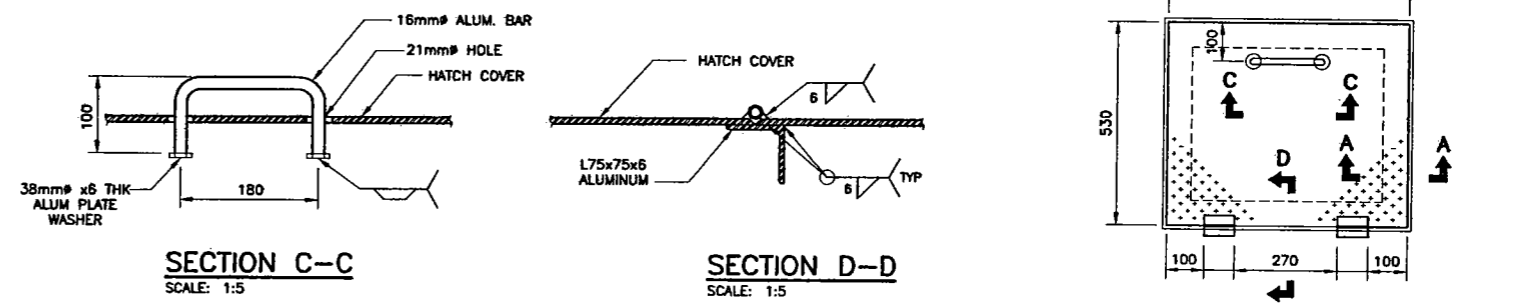
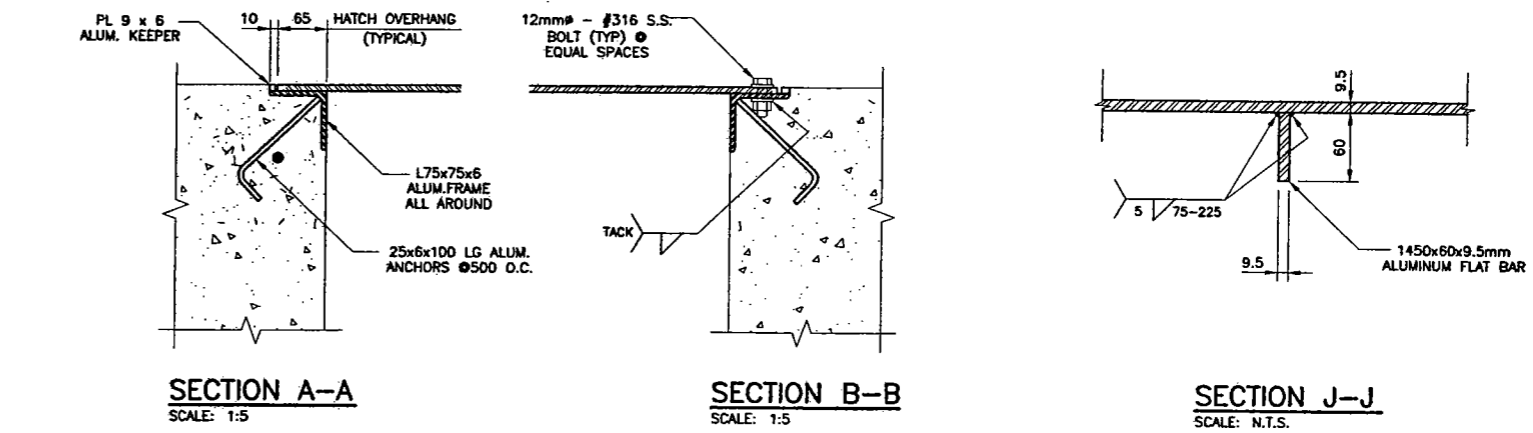


(2 REQUIRED)

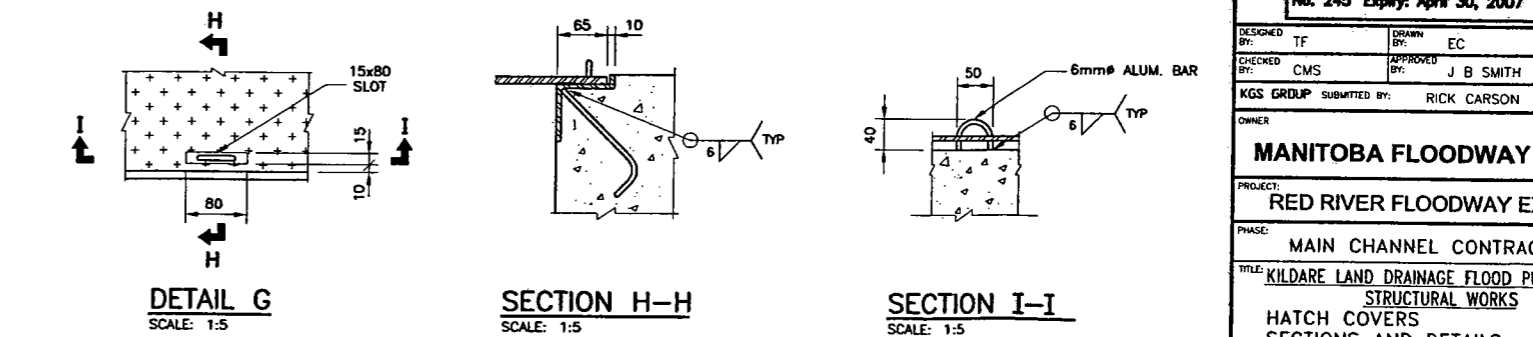
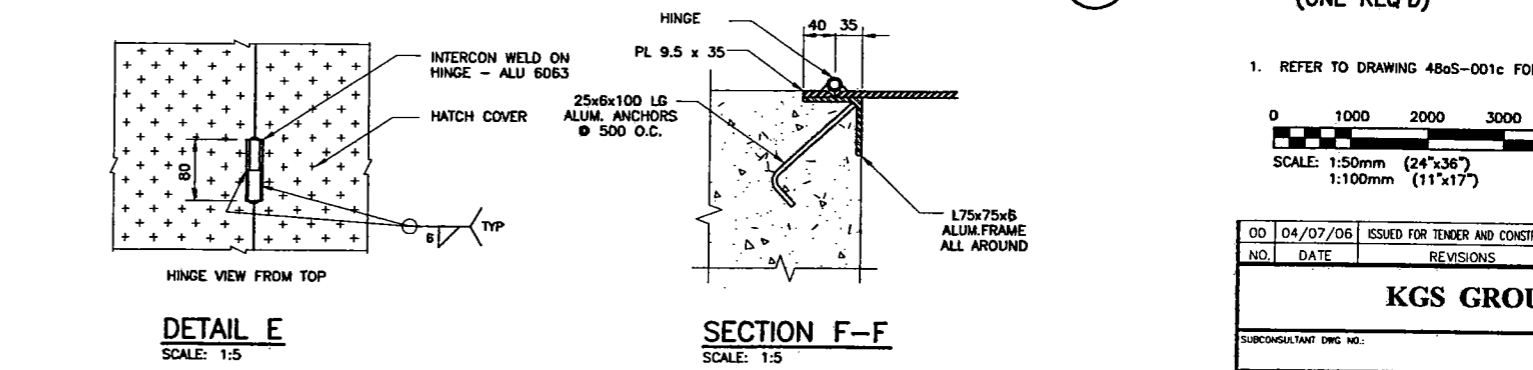


(2 REQUIRED W/ HINGED MAN ACCESS)
(ONE REQUIRED W/O HINGED MAN ACCESS)

1 ACCESS HATCH DETAIL
SCALE: 1:10



2 HATCH COVER DETAIL
SCALE: 1:10 (ONE REQ'D)



1. REFER TO DRAWING 48aS-001c FOR GENERAL NOTES.

SCALE: 1:50mm (24"x36")
1:100mm (11"x17")

00	04/07/06	ISSUED FOR TENDER AND CONSTRUCTION	TF	CMS	JBS
NO.	DATE	REVISIONS	BY	CHKD.	APP.
KGS GROUP					
SUBCONSULTANT DWG NO.:					
C of A					
 APEGM Certificate of Authorization KGS Group No. 245 Expiry: April 30, 2007					
DESIGNED BY:	TF	DRAWN BY:	EC	SCALE:	AS NOTED
CHECKED BY:	CMS	APPROVED BY:	J B SMITH	DATE:	MAY 2006
KGS GROUP SUBMITTED BY: RICK CARSON					
OWNER					
MANITOBA FLOODWAY AUTHORITY					
PROJECT:					
RED RIVER FLOODWAY EXPANSION					
PHASE:					
MAIN CHANNEL CONTRACT No. C5					
TITLE:					
KILDARE LAND DRAINAGE FLOOD PUMPING STATION STRUCTURAL WORKS HATCH COVERS SECTIONS AND DETAILS					
RELEASED FOR CONSTRUCTION:					
DOUG McNEIL VICE PRESIDENT OF ENGINEERING AND CONSTRUCTION					
OWNER DWG NO.:	CC5-48aS-012c	SHT.	01	REV.	00



24"x36" (1609x914) 2005/05/05-0107-17\Civil\Drawings\REVISION_00\CC5-48aS-012c-01-00.dwg - Tab. 12c - Apr 05, 2007 - 400dpi - User:None - jgnitzinger