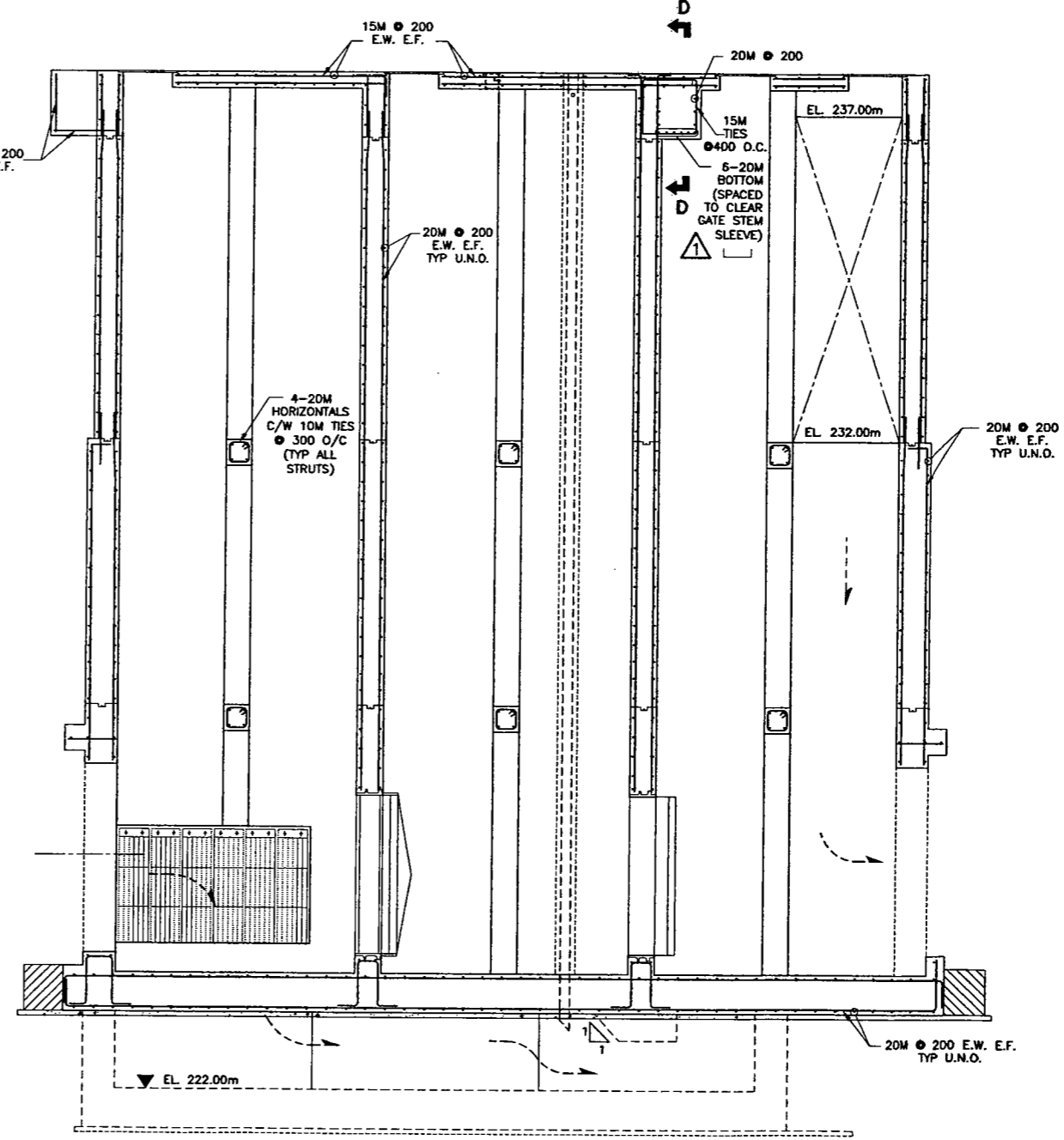
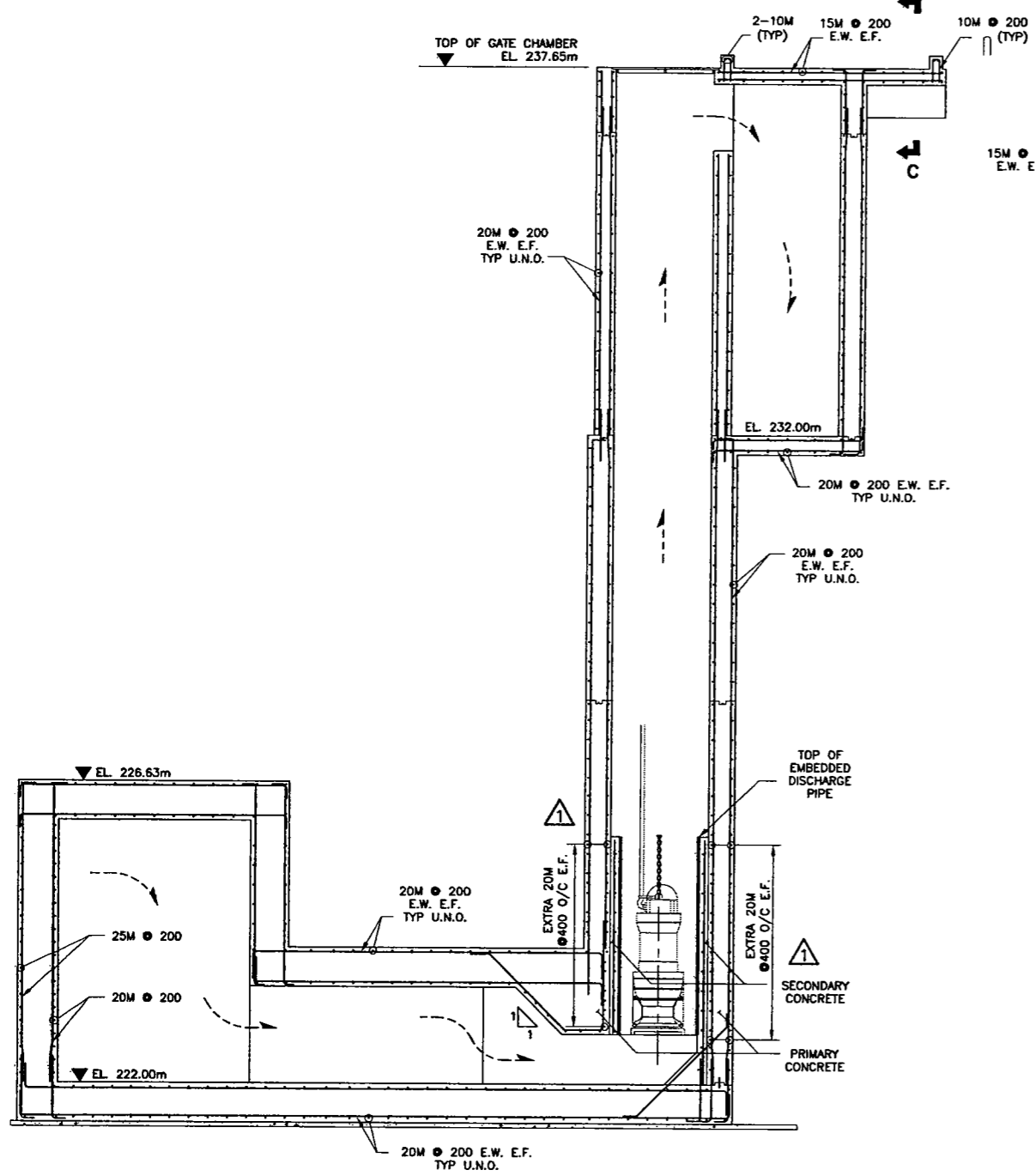
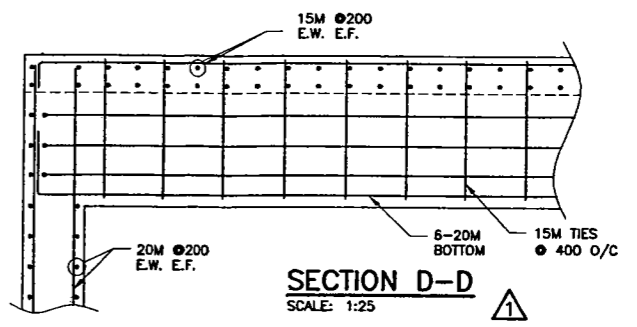
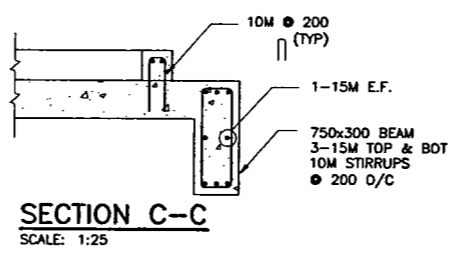


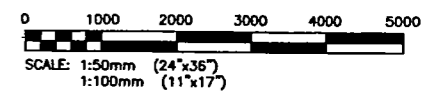
24"x36" / 609x914  
 P:\PROJECTS\2005\05-0107-17\Civil\Draws\REV\STDR\_01\CCS-48aS-009c-01-01.dwg - Tab: 9c - Apr 05, 2007 - 3:52pm - User: Name: jgnitzinger



**A** SECTION 7c SCALE: 1:50

**B** SECTION 7c SCALE: 1:50

1. REFER TO DRAWING 48aS-001c FOR GENERAL NOTES.



01	29/11/06	REVISED BEAM AND CONST. JOINTS	TF	CMS	JBS
00	04/07/06	ISSUED FOR TENDER AND CONSTRUCTION	TF	CMS	JBS
NO.	DATE	REVISIONS	BY	CHKD.	APP.

**KGS GROUP**

SUBCONSULTANT DRG NO.:  
C of A

 <b>APEGM</b> Certificate of Authorization KGS Group No. 245 Expiry: April 30, 2007	ENG. STAMP
	THE ORIGINAL ISSUE REV 0 WAS STAMPED, DATED AND SIGNED BY C.M. SIEPMAN ON 04/07/06 D/M/Y

DESIGNED BY: TF	DRAWN BY: EC	SCALE: AS NOTED
CHECKED BY: CMS	APPROVED BY: J B SMITH	DATE: MAY 2006
KGS GROUP SUBMITTED BY: RICK CARSON		

**MANITOBA FLOODWAY AUTHORITY**

PROJECT: RED RIVER FLOODWAY EXPANSION

PHASE: MAIN CHANNEL CONTRACT No. C5

TITLE: KILDARE LAND DRAINAGE FLOOD PUMPING STATION STRUCTURAL WORKS REINFORCING SECTIONS A, B & C

RELEASED FOR CONSTRUCTION:

DOUG McNEIL VICE PRESIDENT OF ENGINEERING AND CONSTRUCTION	OWNER DRG NO.: CCS-48aS-009c	SHT. 01	REV. 01
---	------------------------------	---------	---------

