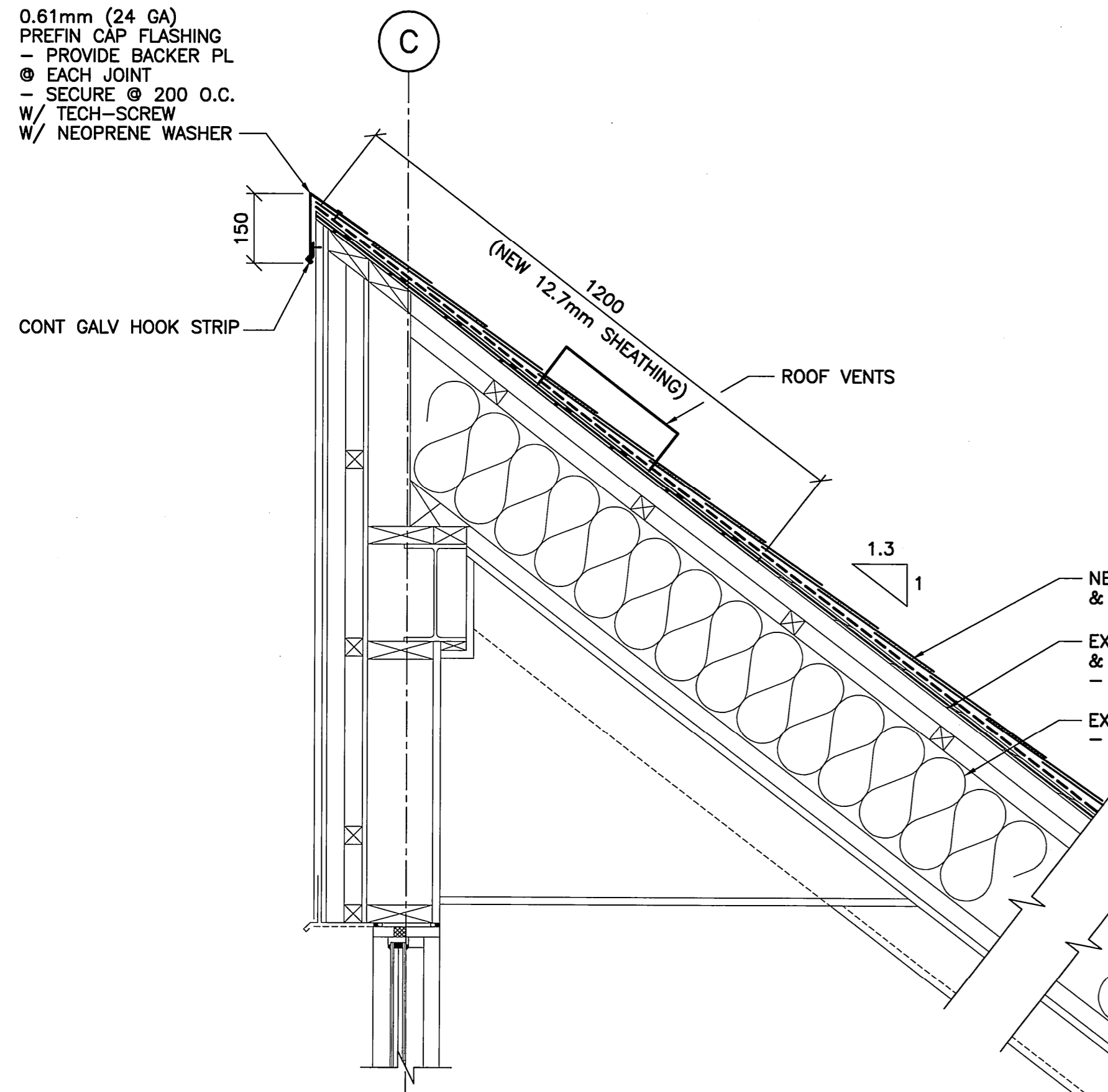
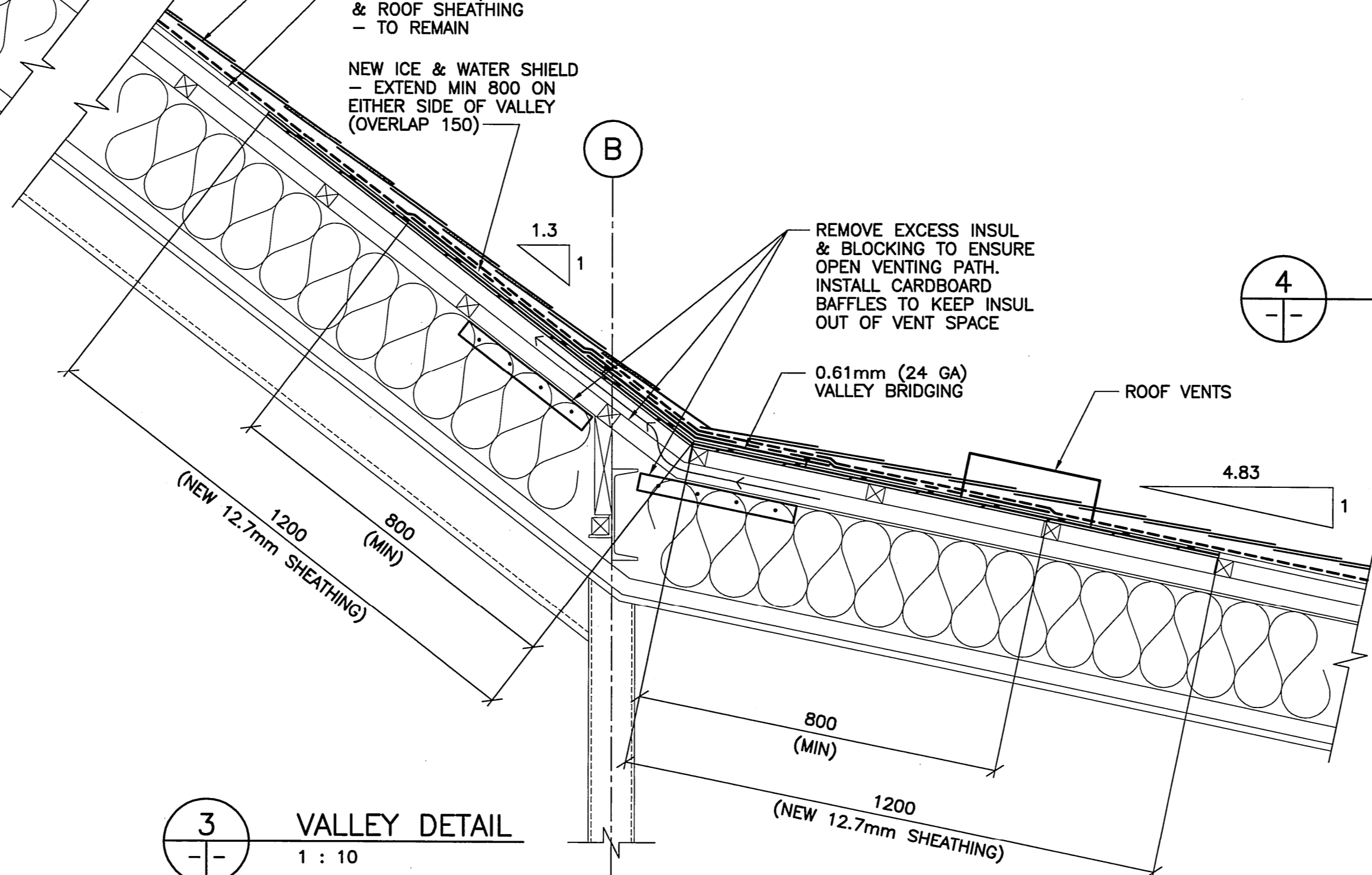
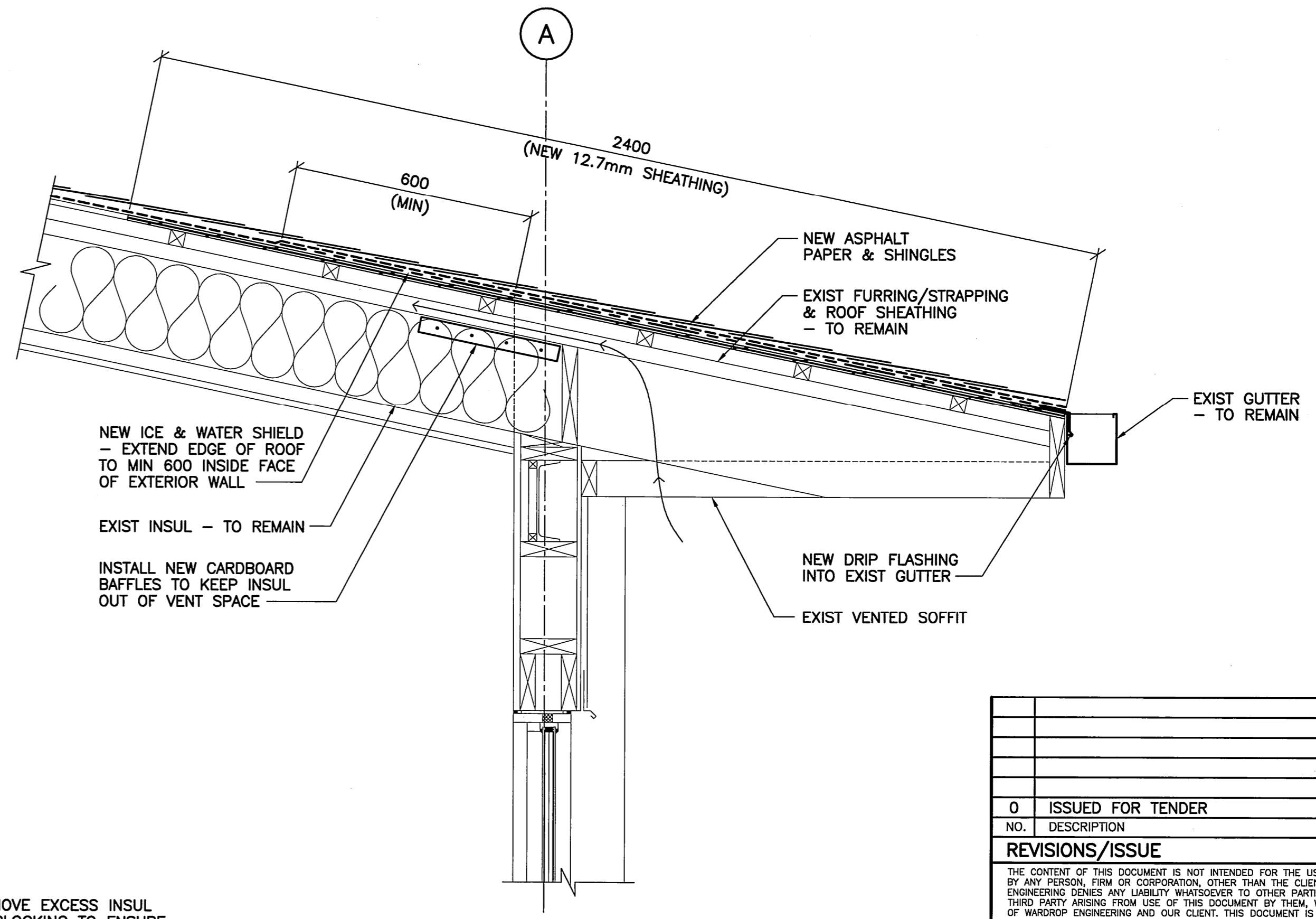


0.61mm (24 GA)
PREFIN CAP FLASHING
- PROVIDE BACKER PL
@ EACH JOINT
- SECURE @ 200 O.C.
W/ TECH-SCREW
W/ NEOPRENE WASHER



NOTES:
- LOCATE ROOF VENTS WHERE INDICATED ON PLAN
- 12.7mm EXTERIOR GRADE SHEATHING SECURE USING 65mm COMMON GALV NAILS 150 O.C. AROUND EDGES OF SHEETS AND 300 O.C. AT INTERIOR OF SHEETS PROVIDE H-CLIPS AT ALL UNSUPPORTED EDGES



| | | |
|-----|-------------------|----------|
| 0 | ISSUED FOR TENDER | 07.08.20 |
| NO. | DESCRIPTION | DATE |

REVISIONS/ISSUE
THE CONTENT OF THIS DOCUMENT IS NOT INTENDED FOR THE USE OF, NOR IS IT INTENDED TO BE RELIED UPON BY ANY PERSON, FIRM OR CORPORATION, OTHER THAN THE CLIENT AND WARDROP ENGINEERING INC. WARDROP ENGINEERING DENIES ANY LIABILITY WHATSOEVER TO OTHER PARTIES FOR DAMAGES OR INJURY SUFFERED BY SUCH THIRD PARTY ARISING FROM USE OF THIS DOCUMENT BY THEM, WITHOUT THE EXPRESS PRIOR WRITTEN AUTHORITY OF WARDROP ENGINEERING AND OUR CLIENT. THIS DOCUMENT IS SUBJECT TO FURTHER RESTRICTIONS IMPOSED BY THE CONTRACT BETWEEN THE CLIENT AND WARDROP ENGINEERING INC. AND THESE PARTIES' PERMISSION MUST BE SOUGHT REGARDING THIS DOCUMENT IN ALL OTHER CIRCUMSTANCES.

CLIENT
CITY OF WINNIPEG, PLANNING, PROPERTY & DEVELOPMENT

WARDROP Engineering Inc.

PROJECT NAME
LOUIS RIEL LIBRARY - ROOF REPLACEMENT

DRAWING DESCRIPTION
ROOF SECTION AND DETAILS

| | | |
|-------------------------------------|-------------------|-------------|
| DESIGNED BY: D.L.P. | DRAWN BY: E.V. | CHECKED BY: |
| APPROVED BY: | | |
| SCALE: AS NOTED | DATE: 07.08.08 | REV. |
| DRAWING NO. 0712940300-DWG-B0002 | | 0 |

