

FILE NAME: 2004023V0.dwg DATE: 2007.10.05 DESCRIPTION: ROOM & DOOR SCHEDULES, WINDOW TYPES & DETAILS PROJECT No.: 2004-023 ADDRESS: 1400 HENDERSON HIGHWAY

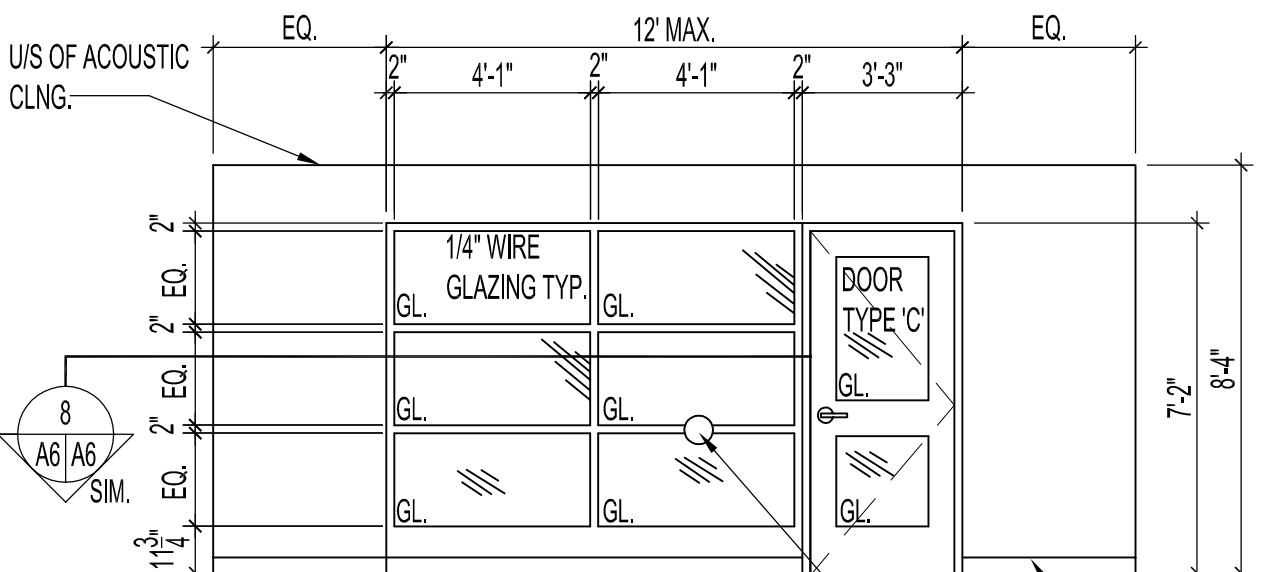
| DOOR SCHEDULE |      |                        |         |        |        |        |        |        |         |                           |
|---------------|------|------------------------|---------|--------|--------|--------|--------|--------|---------|---------------------------|
| DOOR NO.      | TYPE | WIDTH                  | HEIGHT  | THICK. | M.T.L. | FINISH | FRAME  |        | RATING  | NOTES                     |
|               |      |                        |         |        |        |        | TYPE   | FINISH |         |                           |
| DB01          | B    | 3'-0" x 7'-0" x 1 3/4" | H.M.    | P.T.   | A      | P.S.   | P.T.   |        | 3/4 HR. |                           |
| DB02          | D    | 3'-0" x 7'-0" x 1 3/4" | S.C.WD. | NAT.   | A      | P.S.   | P.T.   |        |         |                           |
| DB03          | A    | 2'-3" x 6'-8" x 1 1/4" | M.S.    | P.T.   | D      | S.WD.  | NAT.   |        |         |                           |
| DB04          | A    | 3'-0" x 7'-0" x 1 3/4" | H.M.    | P.T.   | A      | P.S.   | P.T.   |        | 3/4 HR. |                           |
| DB06A         | D    |                        | S.C.WD. | NAT.   | A      | P.S.   | P.T.   |        |         |                           |
| DB06B         | D    |                        | S.C.WD. | NAT.   | A      | P.S.   | P.T.   |        |         |                           |
| DB07          | D    |                        | S.C.WD. | NAT.   | A      | P.S.   | P.T.   |        |         | SIGNAGE-SEE A4            |
| DB09          | D    |                        | S.C.WD. | NAT.   | A      | P.S.   | P.T.   |        |         | SIGNAGE-SEE A4            |
| DB10          | D    |                        | S.C.WD. | NAT.   | A      | P.S.   | P.T.   |        |         |                           |
| DB11          | A    |                        | H.M.    | P.T.   | A      | P.S.   | P.T.   |        | 3/4 HR. |                           |
| D100A         | F    |                        | AL.     | A.M.B. | B      | AL.    | A.M.B. |        |         | THERMALLY BROKEN FRAME    |
| D100B         |      |                        |         |        |        |        |        |        |         | PROVIDED BY LIFT SUPPLIER |
| D100C         |      |                        |         |        |        |        |        |        |         | PROVIDED BY LIFT SUPPLIER |
| D101A         | F    |                        | AL.     | A.M.B. | B      | AL.    | A.M.B. |        |         | THERMALLY BROKEN FRAME    |
| D101B         | C    |                        | H.M.    | P.T.   | A      | P.S.   | P.T.   |        | 3/4 HR. |                           |
| D104          | E    |                        | S.C.WD. | NAT.   | A      | P.S.   | P.T.   |        |         |                           |
| D105          | D    |                        | S.C.WD. | NAT.   | A      | P.S.   | P.T.   |        |         |                           |
| D106          | E    |                        | S.C.WD. | NAT.   | A      | P.S.   | P.T.   |        |         |                           |
| D108          | D    |                        | S.C.WD. | NAT.   | C      | P.S.   | P.T.   |        |         |                           |
| D109          | D    |                        | S.C.WD. | NAT.   | A      | P.S.   | P.T.   |        |         | SIGNAGE-SEE A4            |
| D110          | D    |                        | S.C.WD. | NAT.   | A      | P.S.   | P.T.   |        |         | SIGNAGE-SEE A4            |
| D111A         | B    |                        | H.M.    | P.T.   | A      | P.S.   | P.T.   |        | 3/4 HR. |                           |
| D111B         | B    |                        | H.M.    | P.T.   | A      | P.S.   | P.T.   |        |         | INSULATED DOOR & FRAME    |

| DOOR HARDWARE CODES |        |               |                          |                         |              |              |                          |                          |        |            |              |           |            |              |           |                  |
|---------------------|--------|---------------|--------------------------|-------------------------|--------------|--------------|--------------------------|--------------------------|--------|------------|--------------|-----------|------------|--------------|-----------|------------------|
| DOOR NUMBER         | HINGES | CYLINDER LOCK | ELECTRIC STRIKE OPERATOR | SPRINGLOAD LEVER HANDLE | STORAGE LOCK | PRIVATE LOCK | PUSH PLATE & PULL HANDLE | PUSH PLATE & PULL HANDLE | CLOSER | FLOOR STOP | HICHLATS B/S | DOORSWEEP | SMOKE SEAL | WEATHERSTRIP | THRESHOLD |                  |
|                     |        |               |                          |                         |              |              |                          |                          |        |            |              |           |            |              |           | 2F               |
| DB01                | 1B     |               |                          |                         |              |              |                          |                          |        |            |              |           |            |              |           |                  |
| DB02                | 1B     |               |                          |                         |              |              |                          |                          |        |            |              |           |            |              |           |                  |
| DB03                | 1B     |               |                          |                         |              |              |                          |                          |        |            |              |           |            |              |           |                  |
| DB04                | 1B     |               |                          |                         |              |              |                          |                          |        |            |              |           |            |              |           |                  |
| DB06A               | 1B     |               |                          |                         |              |              |                          |                          |        |            |              |           |            |              |           |                  |
| DB06B               | 1B     |               |                          |                         |              |              |                          |                          |        |            |              |           |            |              |           |                  |
| DB07                | 1B     |               |                          |                         |              |              |                          |                          |        |            |              |           |            |              |           |                  |
| DB09                | 1B     |               |                          |                         |              |              |                          |                          |        |            |              |           |            |              |           |                  |
| DB10                | 1B     |               |                          |                         |              |              |                          |                          |        |            |              |           |            |              |           |                  |
| DB11                | 1B     |               |                          |                         |              |              |                          |                          |        |            |              |           |            |              |           |                  |
| D100A               | 1A     | 2A            | 2B                       | 2C                      |              |              |                          |                          |        |            |              |           |            |              |           | BY DOOR SUPPLIER |
| D100B               |        |               |                          |                         |              |              |                          |                          |        |            |              |           |            |              |           | BY DOOR SUPPLIER |
| D100C               |        |               |                          |                         |              |              |                          |                          |        |            |              |           |            |              |           | BY DOOR SUPPLIER |
| D101A               | 1A     | 2A            |                          |                         |              |              |                          |                          |        |            |              |           |            |              |           | BY DOOR SUPPLIER |
| D101B               | 1B     |               | 2B                       | 2D                      | 2F           |              |                          |                          |        |            |              |           |            |              |           | BY DOOR SUPPLIER |
| D104                | 1B     |               |                          |                         |              |              |                          |                          |        |            |              |           |            |              |           |                  |
| D105                | 1B     |               |                          |                         |              |              |                          |                          |        |            |              |           |            |              |           |                  |
| D106                | 1B     | 2A            |                          |                         |              |              |                          |                          |        |            |              |           |            |              |           |                  |
| D108                | 1B     |               |                          |                         |              |              |                          |                          |        |            |              |           |            |              |           |                  |
| D109                | 1B     |               |                          |                         |              |              |                          |                          |        |            |              |           |            |              |           |                  |
| D110                | 1B     |               |                          |                         |              |              |                          |                          |        |            |              |           |            |              |           |                  |
| D111A               | 1B     |               |                          |                         |              |              |                          |                          |        |            |              |           |            |              |           |                  |
| D111B               | 1A     | 2A            |                          |                         |              |              |                          |                          |        |            |              |           |            |              |           | BY DOOR SUPPLIER |

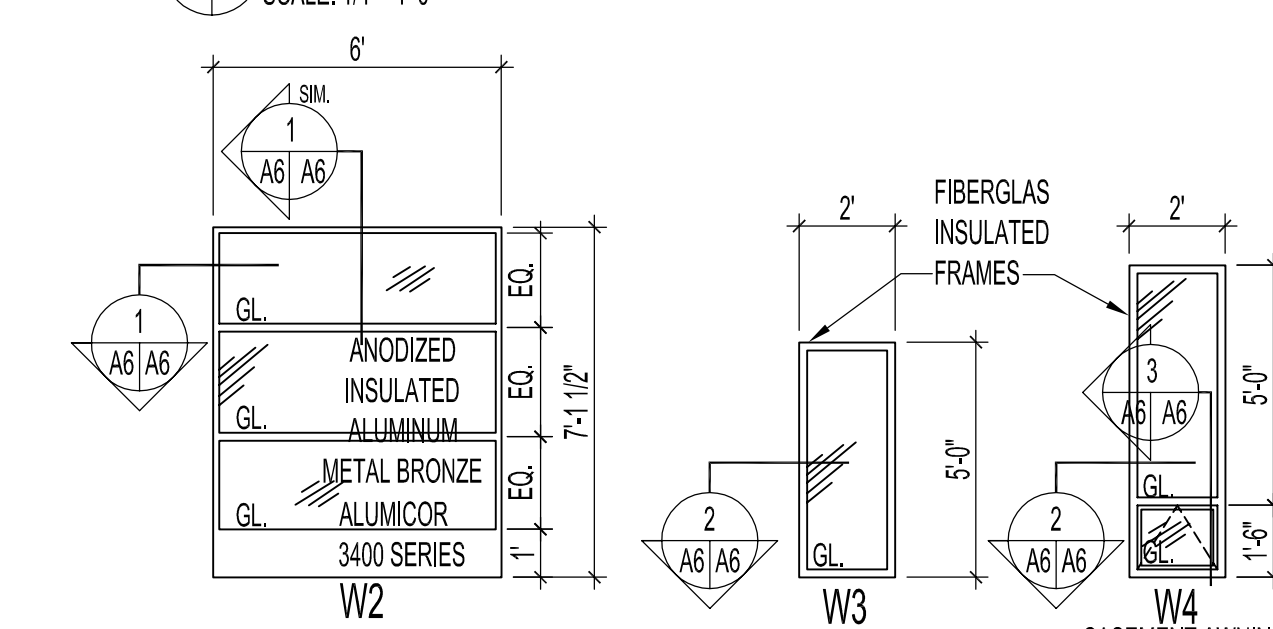
**HARDWARE CODES: (SEE NOTES)**  
**1A** 1 1/2 PR. MCKINNEY TA 314 STEEL HINGES 4 1/2" x 4"  
**1B** 1 1/2 PR. MCKINNEY TA 714 STEEL HINGES 4 1/2" x 4"  
**2A** SCHLAGE -CYLINDER PRIMUS 20-710 INTERCHANGEABLE CORE 613 FINISH  
**2B** ELECTRIC STRIKE HES 5000 x 501-LBM 630  
**ST.** STEEL FINISH BARRIER FREE ADA ACTIVE SWITCH B/S  
**GYRO** TECH-AUTOMATIC DOOR OPERATOR GT 500 W/ RELAY 689  
**2C** ALUMICOR -ADAMS RITE SPRINGLOAD LEVER HANDLE 7650 STANDARD BRONZE ANODIZED  
**2D** ALUMICOR -ADAMS RITE SPRINGLOAD LEVER HANDLE 7651 CLEAR ANODIZED  
**2E** SCHLAGE -STORAGE LOCK S80PD F86  
**2F** HAGER HINGE COMPANY -PASSAGE SET 3410 W -626  
**2G** HAGER HINGE COMPANY -PRIVACY LOCK 3440 W -626  
**3A** STANDARD METAL MFG. -PUSH PLATE & PULL HANDLE K11-A3 32D & 2509-2 32D  
**3B** ALUMICOR -PUSH BAR & PULL HANDLE STD. BRONZE 9246 & 9228  
**3C** RICHELIEU -DOOR PULL 54000-140 (INTERIOR LIFT SIDE ONLY)  
**4A** LCN -CLOSER 1461 SERIES SLIM LINE COVER INCL. NON-HANDED  
**5A** RICHELIEU -FLOOR STOP 471-175 (CONCRETE FLOORS)  
**5B** RICHELIEU -FLOOR STOP 470-175 (WOOD FLOORS)  
**6A** STANDARD METAL MFG. -KICKPLATES B/S K10A 12" x 34" 32D  
**7A** K.N. CROWDER MFG. INC. -DOORSWEEP W13S 36" 689  
**8A** K.N. CROWDER MFG. INC. -SMOKE SEAL W21 BLACK  
**9A** K.N. CROWDER MFG. INC. -WEATHERSTRIP W29 689  
**10A** K.N. CROWDER MFG. INC. -THRESHOLD CT-32 689  
**10B** K.N. CROWDER MFG. INC. -THRESHOLD CT-10 689

| ROOM FINISH SCHEDULE |                           |          |           |            |            |           |           |          |                 |                                |
|----------------------|---------------------------|----------|-----------|------------|------------|-----------|-----------|----------|-----------------|--------------------------------|
| ROOM NO.             | ROOM NAME                 | FLOOR    | BASEBOARD | NORTH WALL | SOUTH WALL | EAST WALL | WEST WALL | CEILING  | CEILING HEIGHT  | NOTES                          |
| B-01                 | STARWAY                   | R.T.R.   | 4" R.B.B. | P.T.       | P.T.       | P.T.      | P.T.      | G.B.     | 8'-5" & 9'-0"   |                                |
| B-02                 | OFFICE                    | CARPET   | 4" CARPET | P.T.       | P.T.       | P.T.      | P.T.      | AC.T     | 8'-6"           |                                |
| B-03                 | GENERAL OFFICE            | CARPET   | 4" CARPET | P.T.       | P.T.       | P.T.      | P.T.      | AC.T     | 8'-6"           |                                |
| B-04                 | MECHANICAL ROOM           | EXISTING |           |            |            |           |           | G.B.     | 9'-0"           | CLEAN FLOOR                    |
| B-05                 | LOCKER ROOM               | V.C.T.   | 4" R.B.B. | P.T.       | P.T.       | P.T.      | P.T.      | AC.T     | 8'-6"           |                                |
| B-06                 | MENS SHOWER/LOCKER ROOM   | V.C.T.   | 4" R.B.B. | P.T.       | P.T.       | P.T.      | P.T.      | AC.T     | 8'-6"           |                                |
| B-07                 | MENS WASHROOM             | V.C.T.   | 4" R.B.B. | P.T.       | P.T.       | P.T.      | P.T.      | AC.T     | 8'-6"           | PAINT EXISTING #1 STEEL COLUMN |
| B-08                 | CORRIDOR                  | CARPET   | 4" CARPET | P.T.       | P.T.       | P.T.      | P.T.      | AC.T     | 7'-2"           |                                |
| B-09                 | WOMENS WASHROOM           | V.C.T.   | 4" R.B.B. | P.T.       | P.T.       | P.T.      | P.T.      | AC.T     | 8'-6"           |                                |
| B-10                 | WOMENS SHOWER/LOCKER ROOM | V.C.T.   | 4" R.B.B. | P.T.       | P.T.       | P.T.      | P.T.      | AC.T     | 8'-6"           |                                |
| B-11                 | JANITOR                   |          | 4" R.B.B. | P.T.       | P.T.       | P.T.      | P.T.      | G.B.     | 6'-3" & 9'-0"   | CLEAN FLOOR                    |
| 100                  | LIFT VESTIBULE            | G.T.     | 6" Q.T.   | P.T.       | P.T.       | P.T.      | P.T.      | G.B.     | 7'-10" & 15'-0" |                                |
| 101                  | VESTIBULE                 | V.C.T.   | 4" R.B.B. | P.T.       | P.T.       | P.T.      | P.T.      | AC.T     | 8'-4"           |                                |
| 102                  | WAITING                   | V.C.T.   | 6" R.B.B. | P.T.       | P.T.       | P.T.      | P.T.      | AC.T     | 8'-4"           |                                |
| 103                  | GENERAL OFFICE #1         | CARPET   | 4" CARPET | P.T.       | P.T.       | P.T.      | P.T.      | AC.T     | 8'-4"           |                                |
| 104                  | LUNCH ROOM                | V.C.T.   | 4" R.B.B. | P.T.       | P.T.       | P.T.      | P.T.      | AC.T     | 8'-4"           |                                |
| 105                  | OFFICE                    | CARPET   | 4" CARPET | P.T.       | P.T.       | P.T.      | P.T.      | AC.T     | 8'-4"           |                                |
| 106                  | GENERAL OFFICE #2         | CARPET   | 4" CARPET | P.T.       | P.T.       | P.T.      | P.T.      | AC.T     | 8'-4"           |                                |
| 107                  | STORAGE                   | CARPET   | 4" R.B.B. | P.T.       | P.T.       | P.T.      | P.T.      | CONCRETE | 10'-8"          | PAINT EXISTING SHELVING-SEE A2 |
| 108                  | OFFICE                    | CARPET   | 4" CARPET | P.T.       | P.T.       | P.T.      | P.T.      | AC.T     | 8'-4"           |                                |
| 109                  | STAFF WASHROOM            | V.C.T.   | 4" R.B.B. | P.T.       | P.T.       | P.T.      | P.T.      | AC.T     | 8'-4"           |                                |
| 110                  | PUBLIC WASHROOM           | V.C.T.   | 4" R.B.B. | P.T.       | P.T.       | P.T.      | P.T.      | AC.T     | 8'-4"           |                                |
| 111                  | STARWAY                   | R.T.R.   | 4" R.B.B. | P.T.       | P.T.       | P.T.      | P.T.      | G.B.     | 12'-4"          |                                |

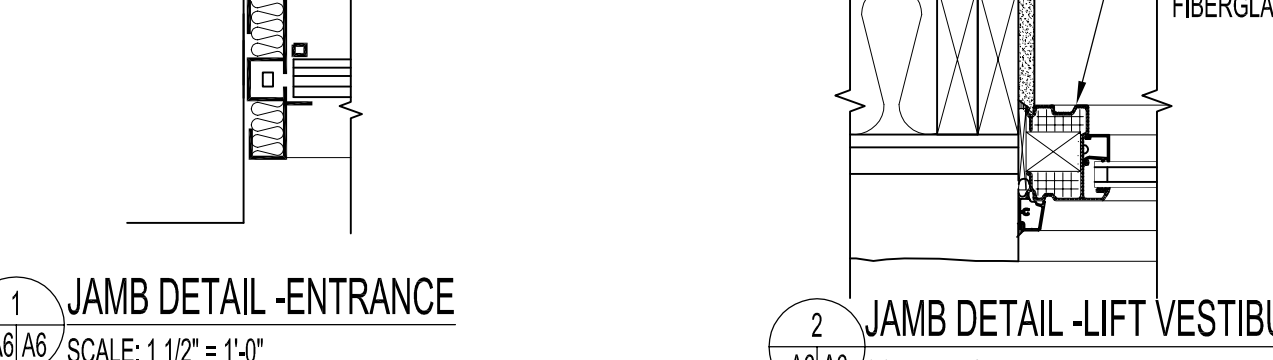
ABBREVIATIONS: V.C.T.-VINYL COMPOSITE TILE R.T.R.-RUBBER TREADS & RISERS R.B.B.-RUBBER BASEBOARD(COLOUR-GREY) G.T.-QUARRY TILE  
A.W.-ACOUSTICAL WALLCOVERING G.B.-GYPSUM BOARD AC.T-ACOUSTIC TILE P.T.-PAINT



WINDOW TYPE W1  
**ELEVATION -VESTIBULE 101**  
 SCALE: 1/4" = 1'-0"

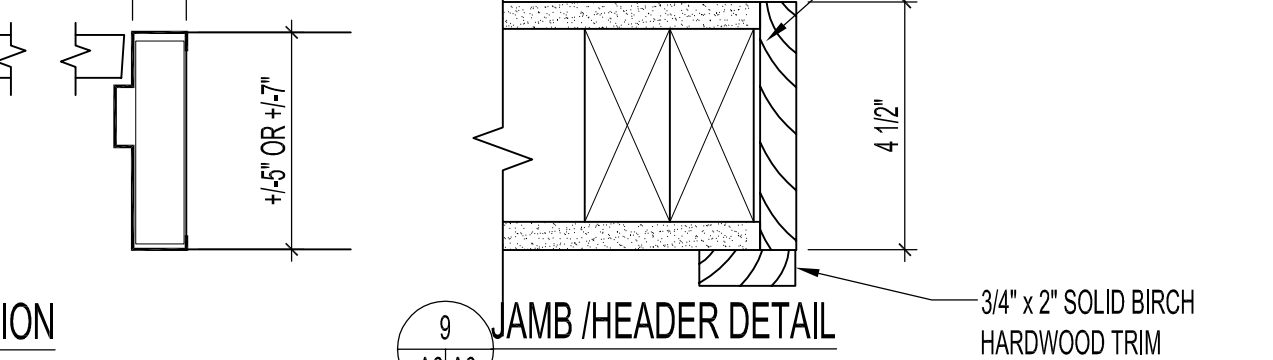


WINDOW TYPES W2  
**ELEVATION -VESTIBULE 100**  
 SCALE: 1 1/2" = 1'-0"



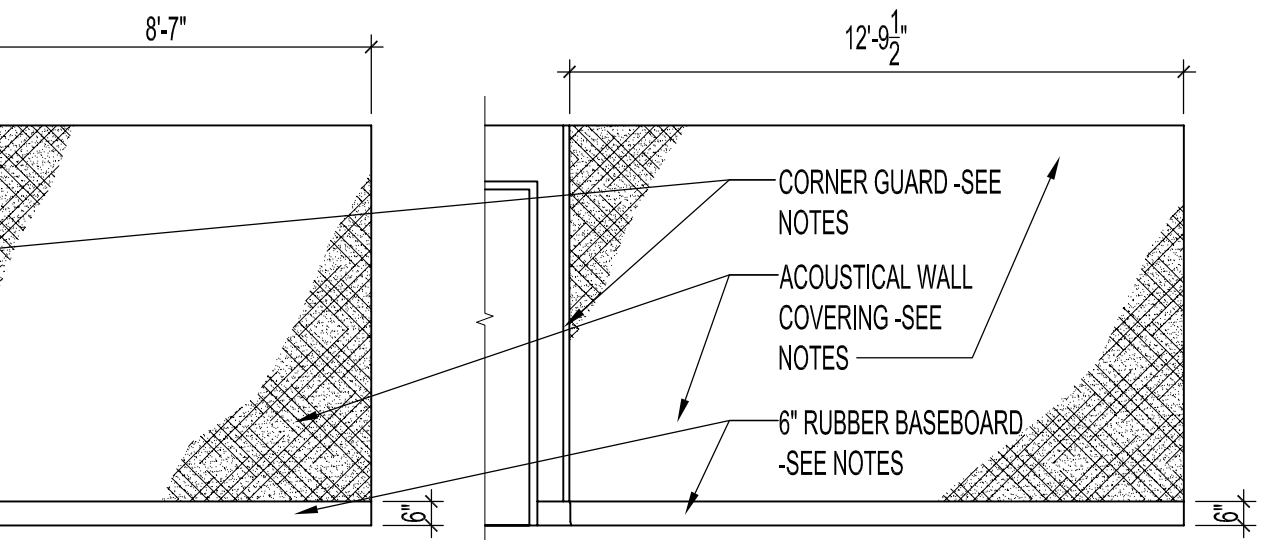
**JAMB DETAIL -ENTRANCE**  
 SCALE: 1 1/2" = 1'-0"

**JAMB DETAIL -LIFT VESTIBULE 100**  
 SCALE: 1 1/2" = 1'-0"



**JAMB /MULLION SECTION**  
 SCALE: 1 1/2" = 1'-0"

**JAMB /HEADER DETAIL**  
 SCALE: 3" = 1'-0"



**ELEVATION -WAITING 102 (SOUTH)**  
 SCALE: 1/4" = 1'-0"

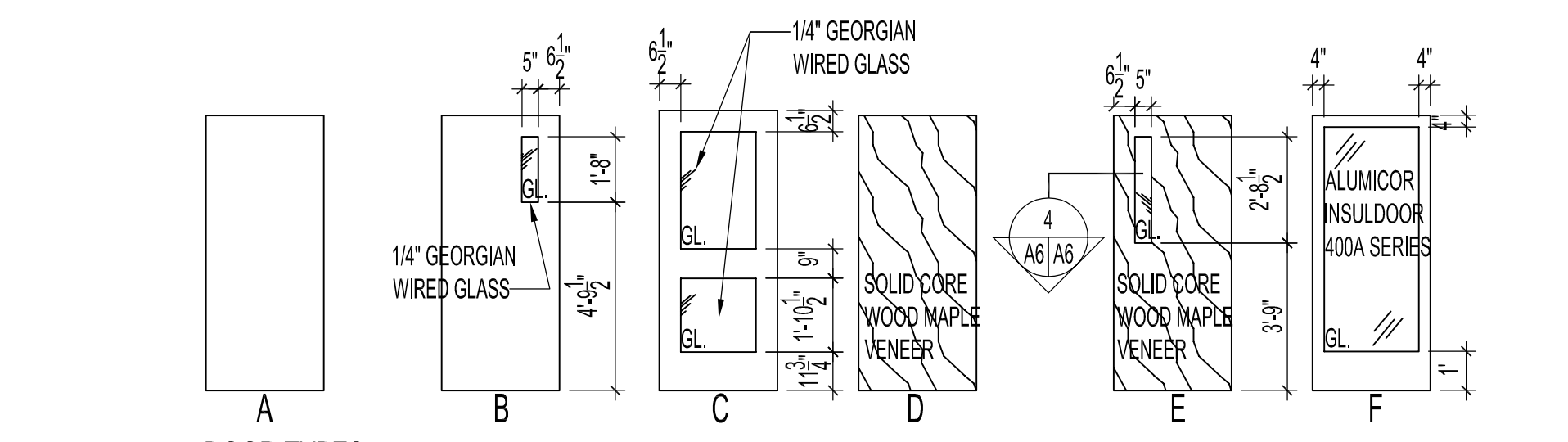
**ELEVATION -WAITING 102 (WEST)**  
 SCALE: 1/4" = 1'-0"



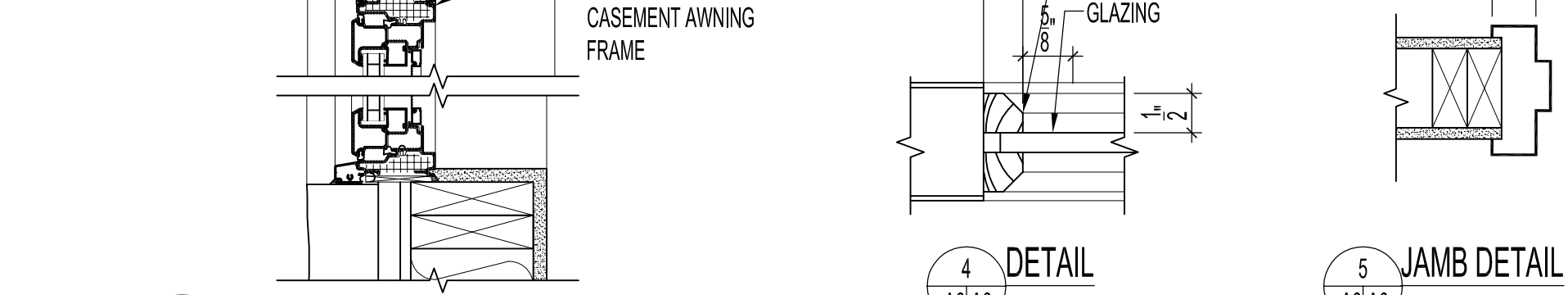
**WALL DETAIL**  
 SCALE: 1 1/2" = 1'-0"

**NOTES :**  
 ACOUSTICAL WALL COVERING: METRO WALL COVERING INC. -WHISPER TEX 3 HARVEST #60-49  
 CORNER GUARDS: JONHSONITE 1 1/8" CLEAR LEXAN W/ SELF-TAPING NAIL SCREW  
**DOOR HARDWARE NOTES:**  
 1. ALL METAL FINISHES FOR HARDWARE & HANDLES TO BE JUPITER 626 UNLESS NOTED OTHERWISE.  
 2. ALL LOCKS TO BE SCHLAGE, INTERCHANGEABLE CORE D-SERIES EXTRA HEAVY DUTY COMMERCIAL UNLESS NOTED OTHERWISE.  
 3. HARDWARE BESIDES HINGES FOR DOOR DB103B SEE MILLWORK DRAWING.

**ABBREVIATIONS**  
 H.M.-HOLLOW METAL S.C.WD.-SOLID CORE WOOD M.S.-MASONITE AL-ALUMINIUM P.T.-PAINT  
 NAT.-NATURAL FINISH A.M.B.-ANODIZED METAL BRONZE P.S.-PRESSED STEEL S.WD.-SOLID WOOD



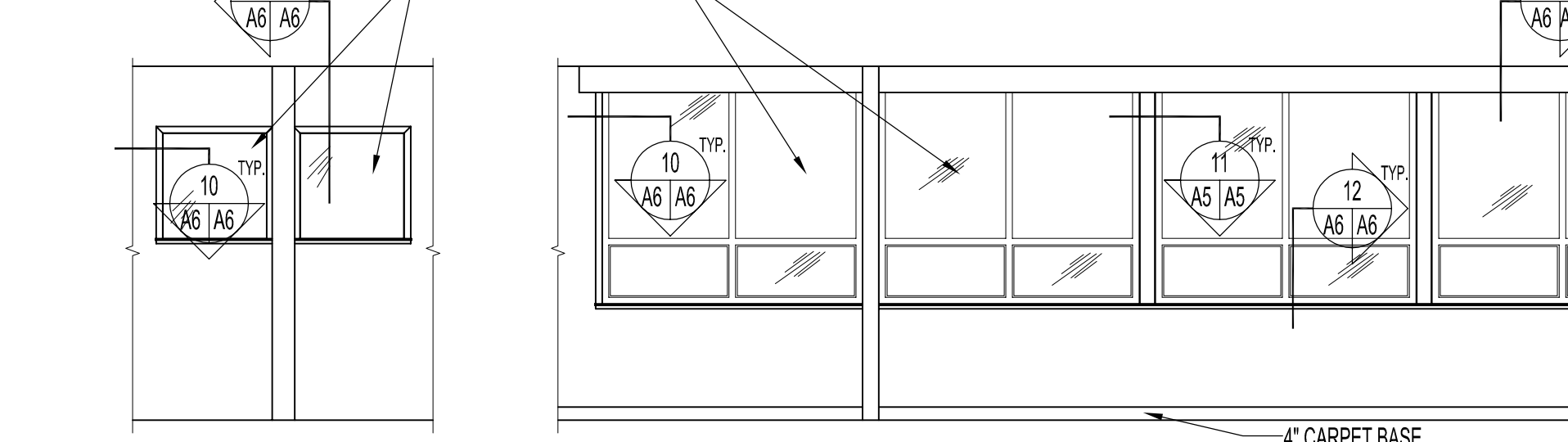
**DOOR TYPES**



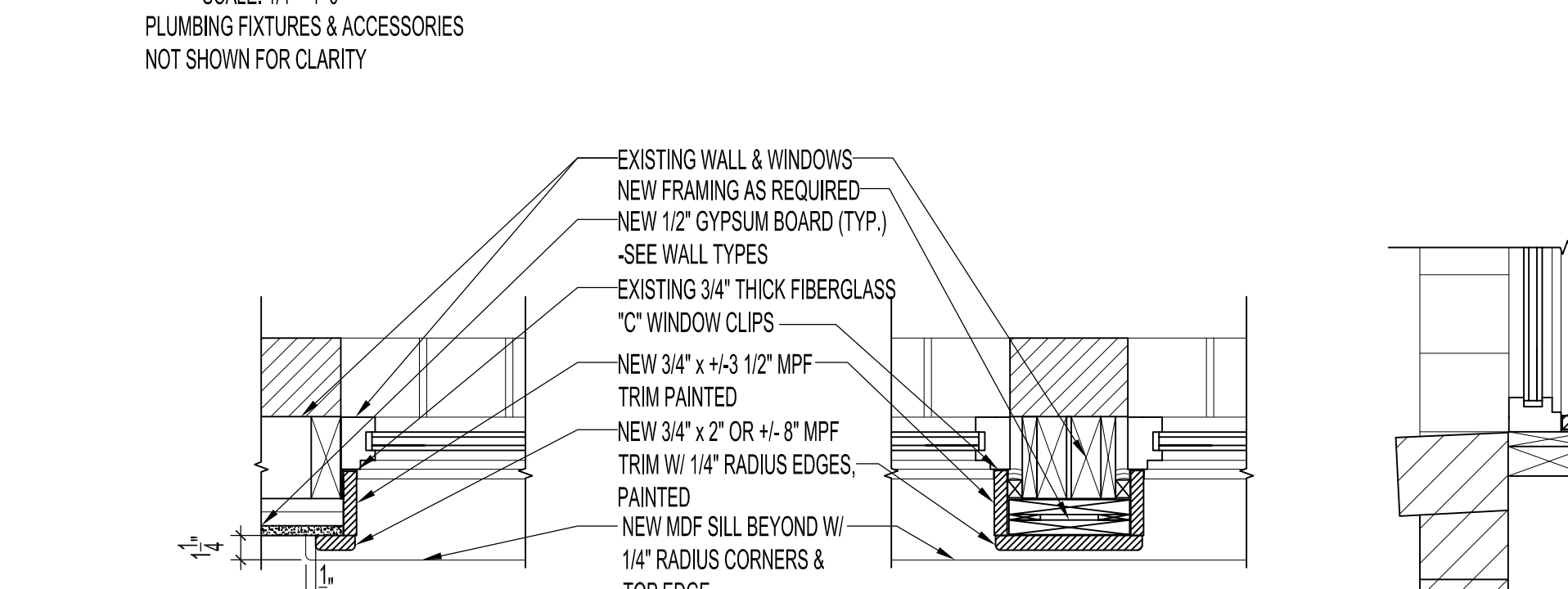
**MULLION /SILL DETAIL -LIFT VESTIBULE 100**  
 SCALE: 1 1/2" = 1'-0"

**DETAIL**  
 SCALE: 6" = 1'-0"

**JAMB DETAIL**  
 SCALE: 1 1/2" = 1'-0"



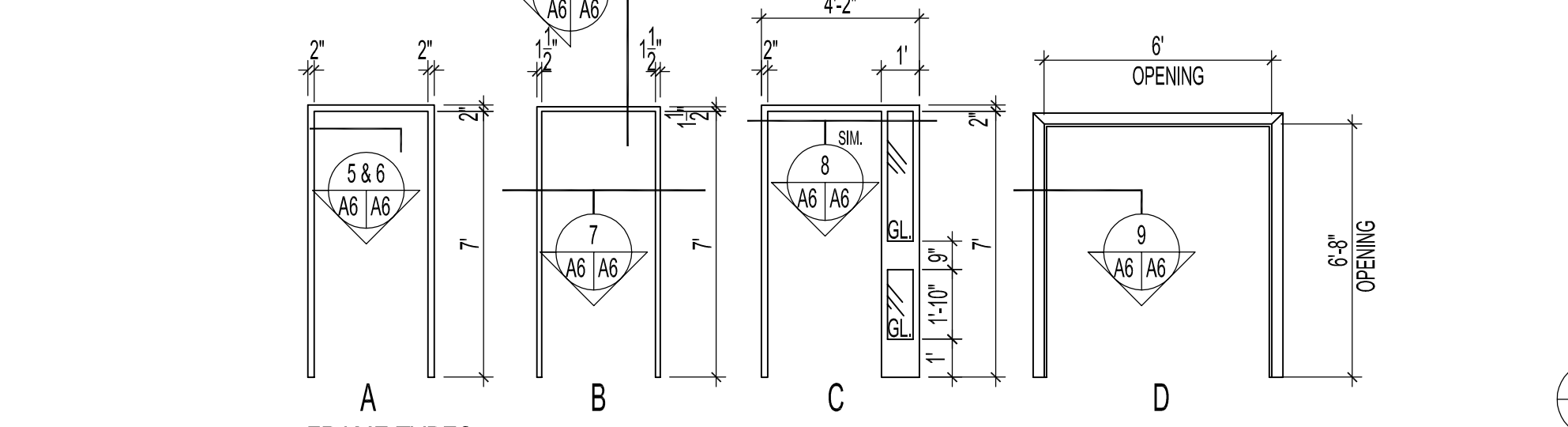
**ELEVATION WASHROOMS 109 & 110**  
 SCALE: 1/4" = 1'-0"



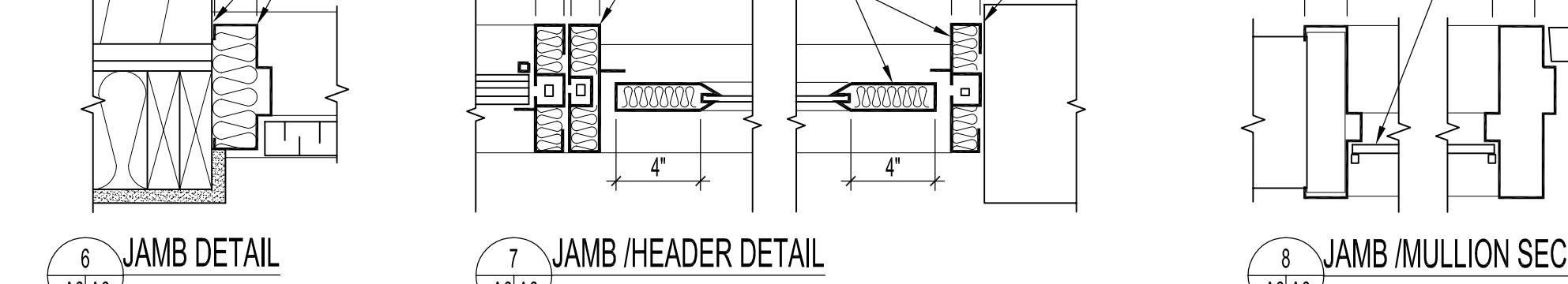
**TYPICAL JAMB DETAIL**  
 SCALE: 1 1/2" = 1'-0"

**TYPICAL MULLION DETAIL**  
 SCALE: 1 1/2" = 1'-0"

**TYPICAL SILL DETAIL**  
 SCALE: 1 1/2" = 1'-0"

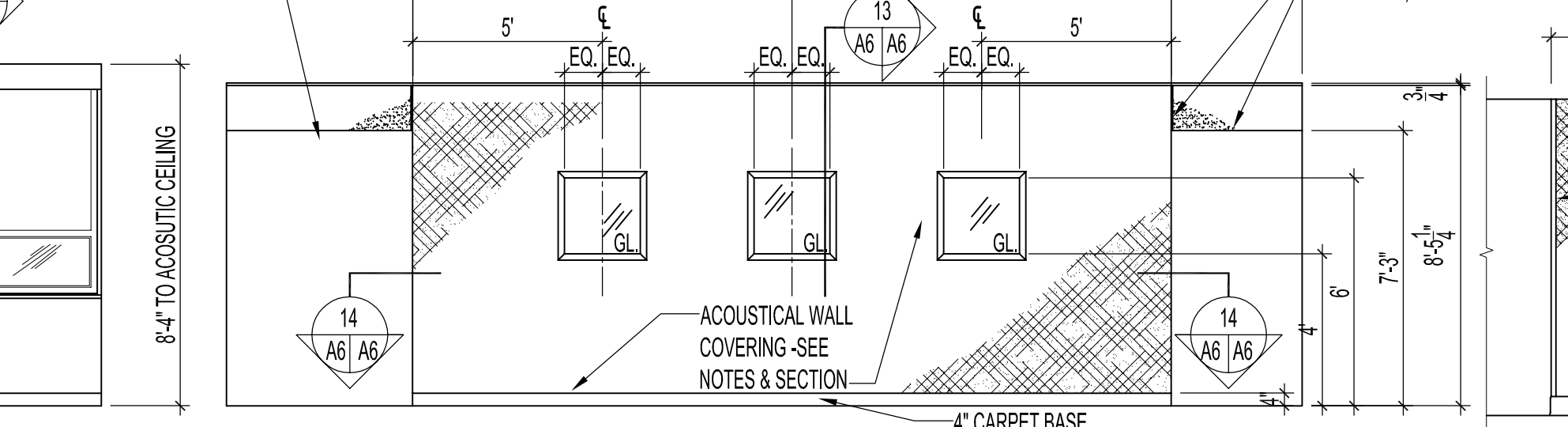


**FRAME TYPES**

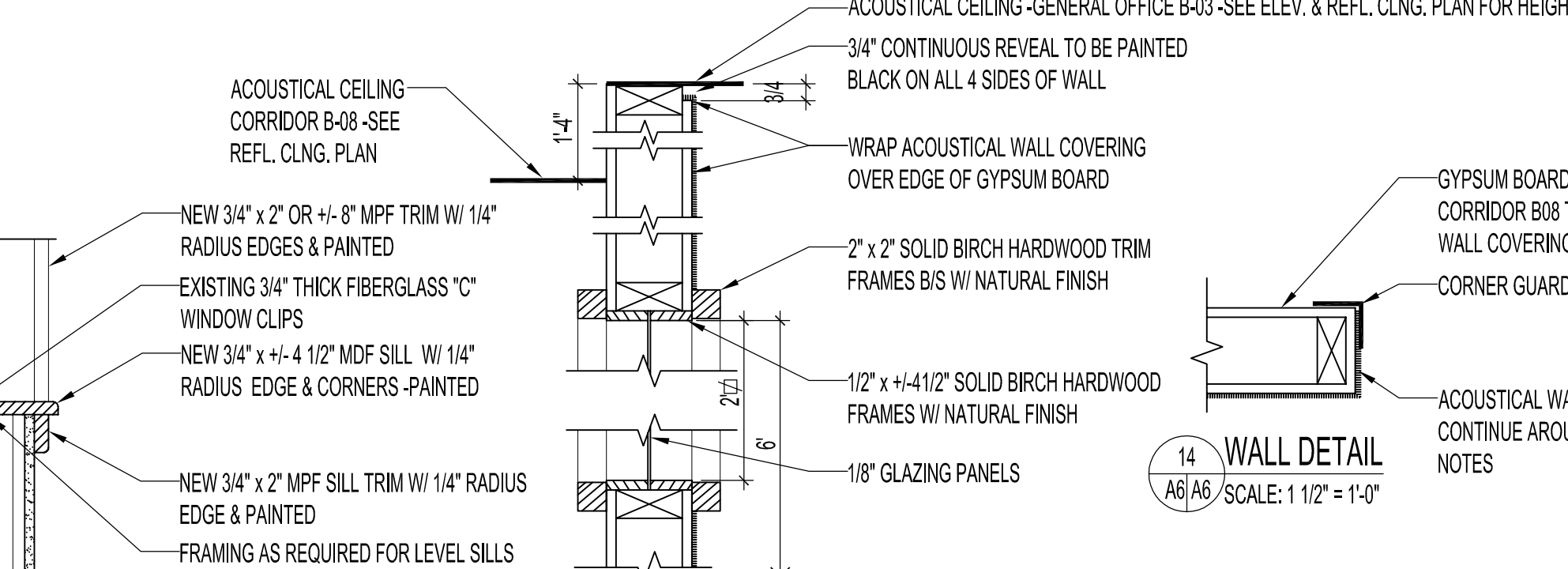


**JAMB /HEADER DETAIL**  
 SCALE: 1 1/2" = 1'-0"

**JAMB /MULLION SECTION**  
 SCALE: 1 1/2" = 1'-0"



**ELEVATION -GENERAL OFFICE B03**  
 SCALE: 1/4" = 1'-0"



**TYPICAL WINDOW DETAIL**  
 SCALE: 1 1/2" = 1'-0"

ORIGINAL STAMPED BY: R.K.FOK LI Arch.  
 DATE: 2007.10.15

| NO.   | REVISION/DESCRIPTION | BY | DATE |
|-------|----------------------|----|------|
| SEALS |                      |    |      |

**DRAWN BY** MMK **CHECKED BY** USER **APPROVED** USER  
 DATE: 2007.10.05

**CITY OF WINNIPEG**  
 PLANNING, PROPERTY & DEVELOPMENT DEPARTMENT  
 CIVIC ACCOMMODATIONS DIVISION  
 300 - 65 GARRY ST. R3C 4K4

**PROJECT**  
 COMMUNITY POLICE SERVICE CENTRE

1400 HENDERSON HIGHWAY  
**SHEET TITLE**

ROOM & DOOR SCHEDULES,  
 WINDOW TYPES, DETAILS & ELEVATIONS

| SCALE    | PROJECT NO. | SHEET NO. |
|----------|-------------|-----------|
| AS SHOWN | 2004-023    | A6        |

DRAWING SHEET SIZE: A1 (841mm x 594mm) PLOT 1:1