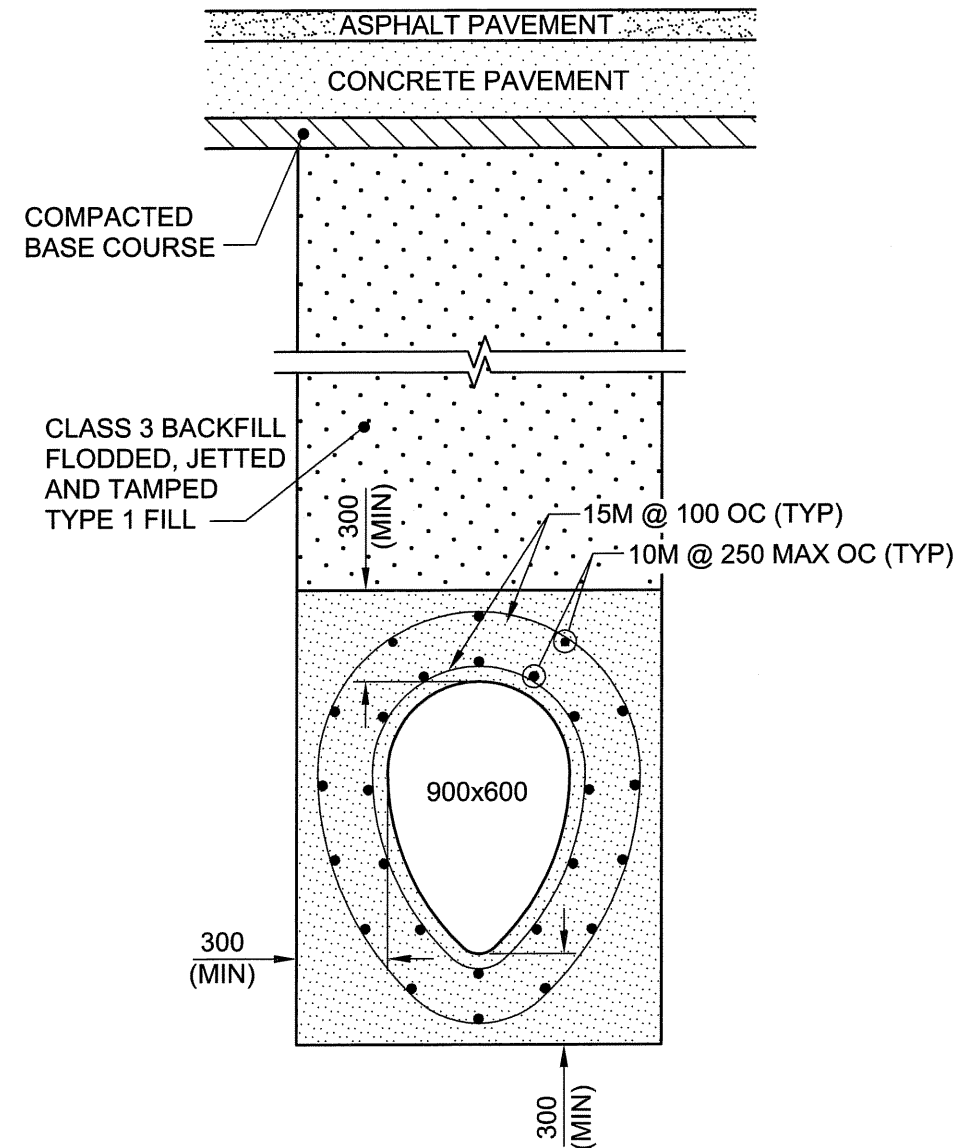
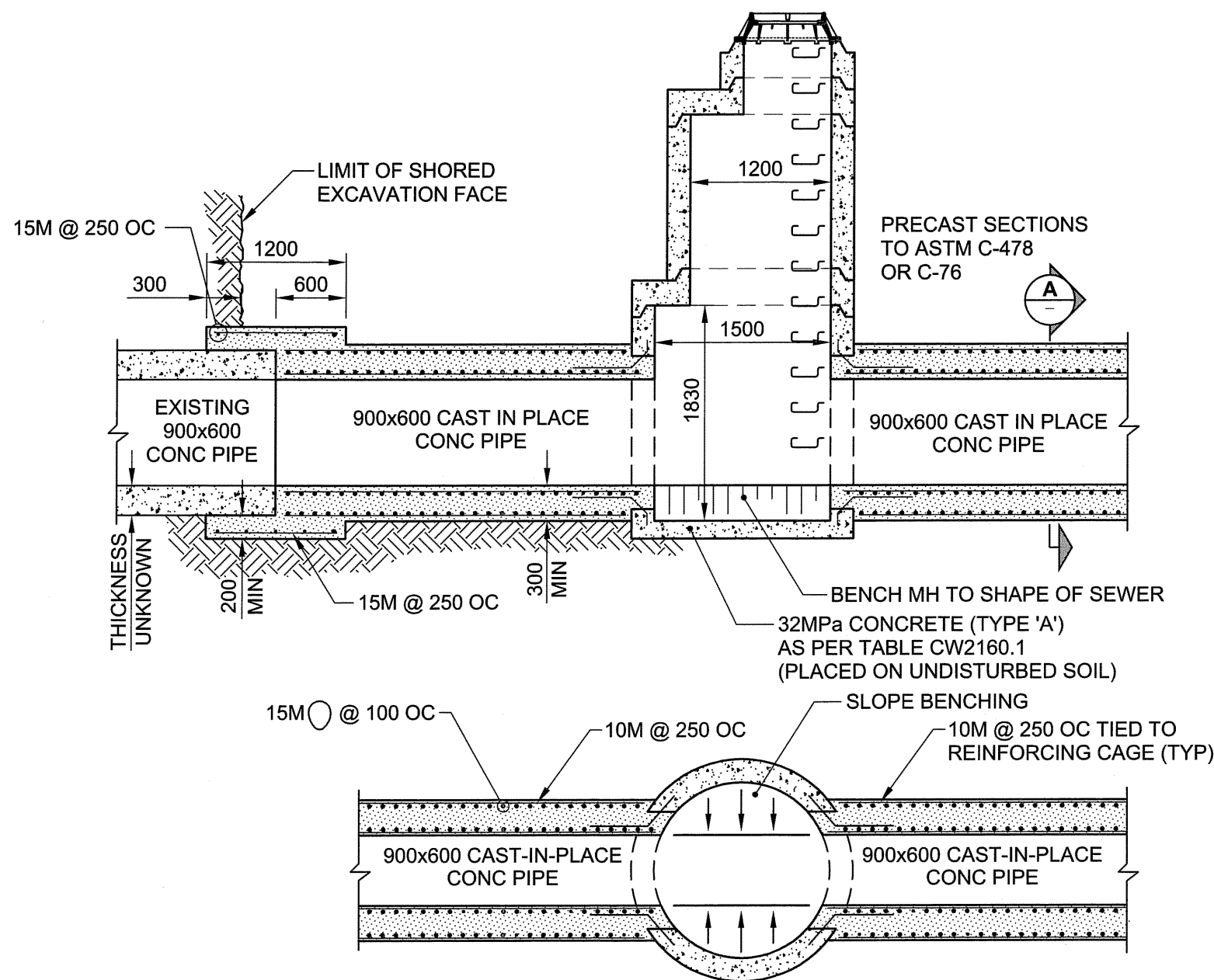


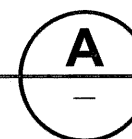
B SIZE 11" x 17" (279mm x 432mm)

PLOT: 07/08/21 3:06:26 PM

UMA FILE NAME: D265-217-03_01-C-1022_RX.dwg Saved By: kberard



SECTION



0 0.25 0.5 0.75 m SCALE 1:25

CAST-IN-PLACE SEWER DETAIL AND BEDDING DETAIL

SEWER CONNECTION & MANHOLE CONNECTION DETAIL

0 0.5 1 1.5 m SCALE 1:50

METRIC

WHOLE NUMBERS INDICATE MILLIMETRES
DECIMALIZED NUMBERS INDICATE METRES



Certificate of Authorization

UMA Engineering Ltd. (MB)

No. 256 Date: 07/08/21

BID OPPORTUNITY NO. 573-2007

LOCATION APPROVED
UNDERGROUND STRUCTURES

SUPR. U/G STRUCTURES DATE
COMMITTEE

NOTE:
LOCATION OF UNDERGROUND STRUCTURES AS SHOWN ARE BASED ON THE BEST INFORMATION AVAILABLE. BUT NO GUARANTEE IS GIVEN THAT ALL EXISTING UTILITIES ARE SHOWN OR THAT THE GIVEN LOCATIONS ARE EXACT. CONFIRMATION OF EXISTENCE AND EXACT LOCATION OF ALL SERVICES MUST BE OBTAINED FROM THE INDIVIDUAL UTILITIES BEFORE PROCEEDING WITH CONSTRUCTION.

NO.	REVISIONS	YY/MM/DD	BY
0	ISSUED FOR CONSTRUCTION	07/08/21	KMB

UMA AECOM	
© 2006 UMA ENGINEERING LTD. ALL RIGHTS RESERVED.	
DESIGNED BY	MJR
CHECKED BY	A. Idan
DRAWN BY	KMB
APPROVED BY	[Signature]
HOR. SCALE	AS NOTED
VERT. SCALE	[Signature]
DATE	07/08/21

PROFESSIONAL'S SEAL

CONSULTANT DRAWING NO. 22
D265-217-03

THE CITY OF WINNIPEG
WATER AND WASTE DEPARTMENT

2007 COMBINED SEWER RENEWALS
BY EXTERNAL POINT REPAIRS AND REPLACEMENTS
CONTRACT 15
WATT STREET
MANHOLE INSTALLATION & MISC DETAILS

SHEET	22	OF	29
CITY DRAWING NUMBER			
06150			REV
			0