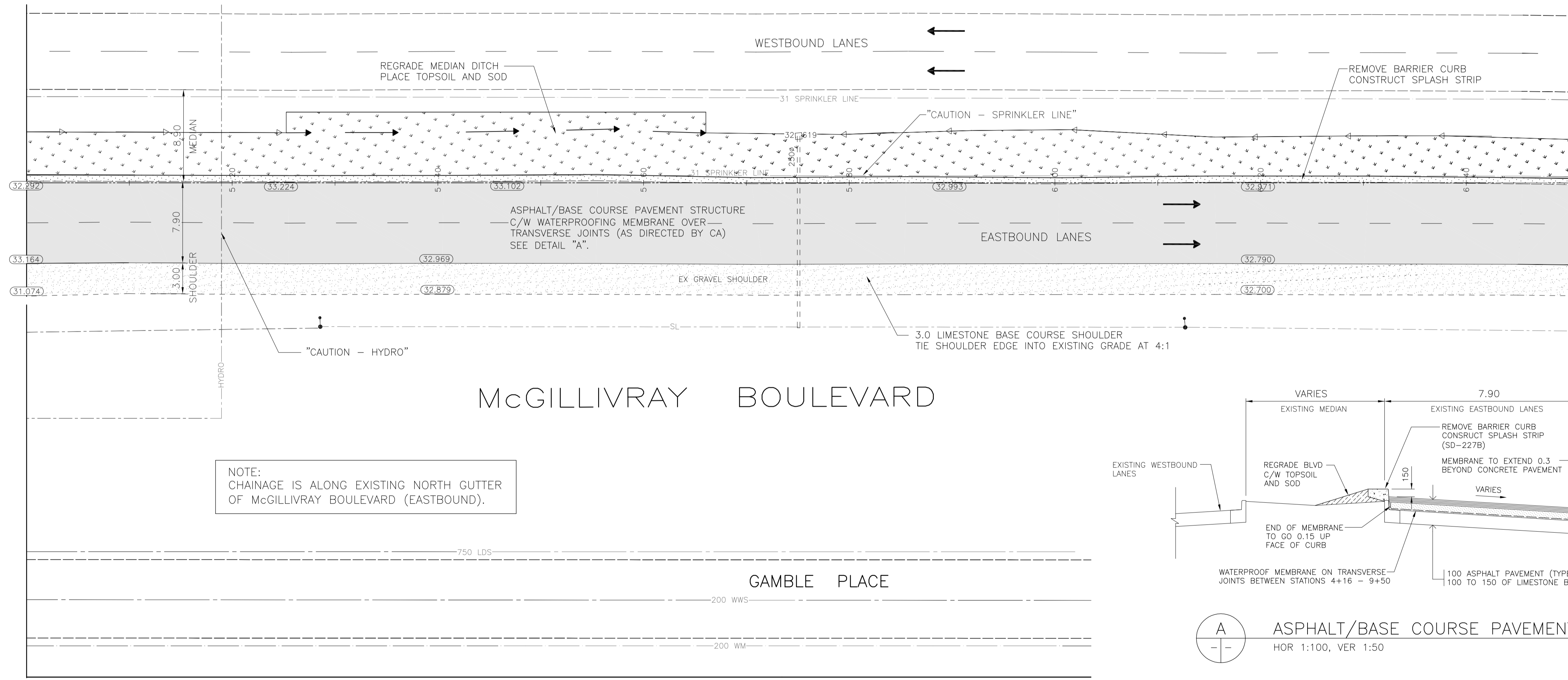
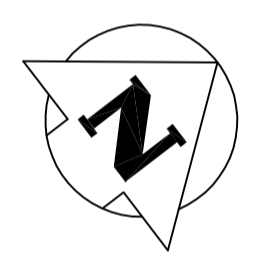


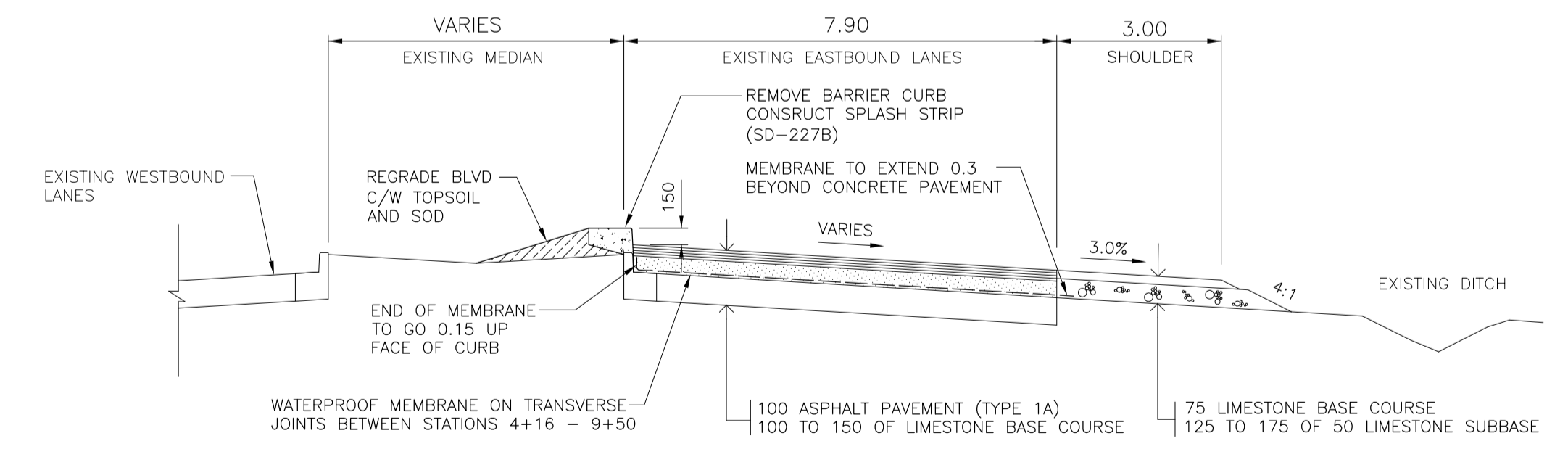
DWG NORTH



NOTE: CHAINAGE IS ALONG EXISTING NORTH GUTTER OF MCGILLIVRAY BOULEVARD (EASTBOUND).

MCGILLIVRAY BOULEVARD

GAMBLE PLACE



150 WM	WATERMAIN	150 WM)	PLUG)	TRAFFIC SIGNAL	
400 FM	FEEDERMAIN	400 FM	o	MANHOLE	●	GAS	
300 LDS	LAND DRAINAGE SEWER	300 LDS	□	CATCHBASIN	■	HYDRO	
250 WWS	WASTEWATER SEWER	250 WWS	▽	CURB INLET	▽	MTS	
300 CS	COMBINED SEWER	300 CS	•	HYDRO POLE	•	ELEVATION	(32.000)
200 FCM	FORCEMAIN	200 FCM	+	LIGHT STANDARD	+	SIDEWALK	[Pattern]
	JUNCTIONS		+	ANCHOR	+	CURB	[Pattern]
⊕	HYDRANT	⊕	⊕	TREE	⊕	ASPHALT	[Pattern]
⊙	VALVE	⊙	15.240	LEGAL DIMENSION		CONCRETE	[Pattern]
⊕	CURB STOP	⊕		SURVEY BAR		GRAVEL	[Pattern]
EXISTING	LEGEND-PLAN	PROPOSED	EXISTING	LEGEND-PLAN	PROPOSED	EXISTING	LEGEND-PLAN

LOCATION APPROVED UNDERGROUND STRUCTURES

SUPV. U/G STRUCTURES COMMITTEE DATE

NOTE: LOCATION OF UNDERGROUND STRUCTURES AS SHOWN ARE BASED ON THE BEST INFORMATION AVAILABLE. BUT NO GUARANTEE IS GIVEN THAT ALL EXISTING UTILITIES ARE SHOWN OR THAT THE GIVEN LOCATIONS ARE EXACT. CONFIRMATION OF EXISTENCE AND EXACT LOCATION OF ALL SERVICES MUST BE OBTAINED FROM THE INDIVIDUAL UTILITIES BEFORE PROCEEDING WITH CONSTRUCTION.

B.M. ELEV.	F.B. 2158
00	ISSUED FOR TENDER 07.08.09
NO. REVISIONS	DATE

WARDROP Engineering Inc.

DESIGNED BY DAL
DRAWN BY GMD
HOR. SCALE: 1 : 250
VERTICAL: 1 : 10
DATE 07.03.20

CHECKED BY [Signature]
APPROVED BY [Signature]
RELEASED FOR CONSTRUCTION
DATE

PRELIMINARY DRAWING

NOT TO BE USED FOR CONSTRUCTION

CONSULTANT DRAWING NO. 07000701-DWG-C0002-00

THE CITY OF WINNIPEG
PUBLIC WORKS DEPARTMENT
ENGINEERING DIVISION

REHABILITATION AND ASPHALT OVERLAY

MCGILLIVRAY BOULEVARD (EASTBOUND LANES)
135m EAST OF WAVERLEY STREET TO
285m EAST OF WAVERLEY STREET

CITY DRAWING NUMBER P-3286-2
SHEET OF 2 8
C0002