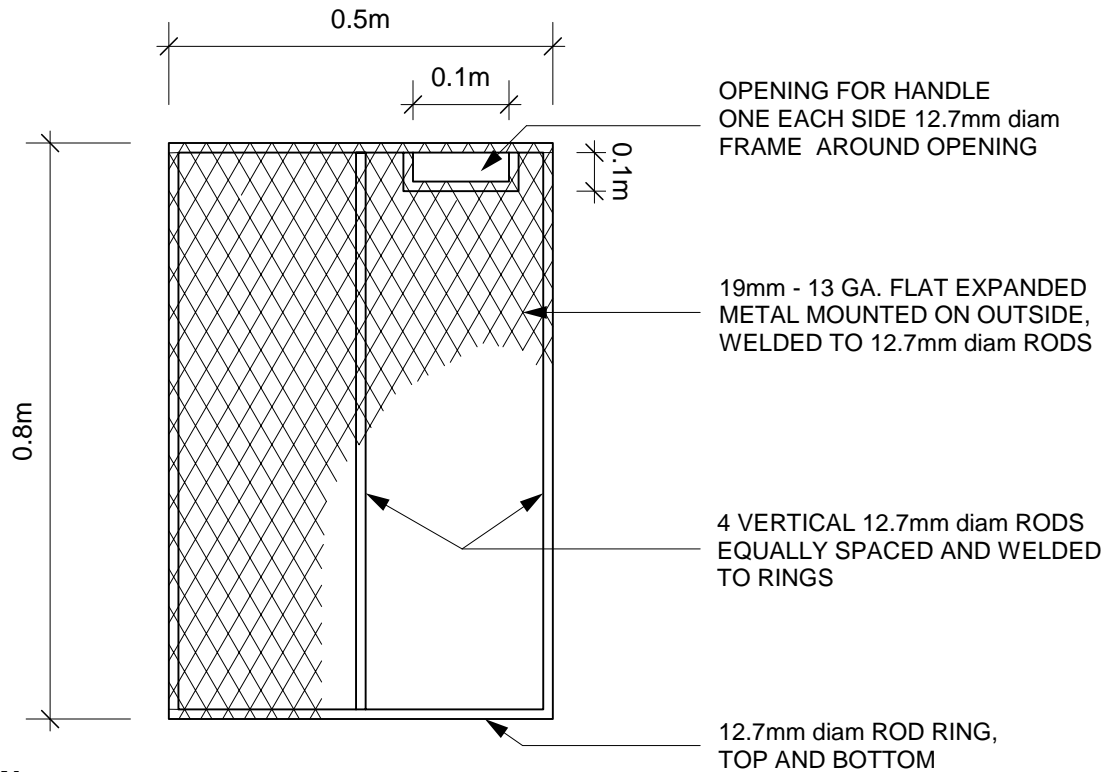
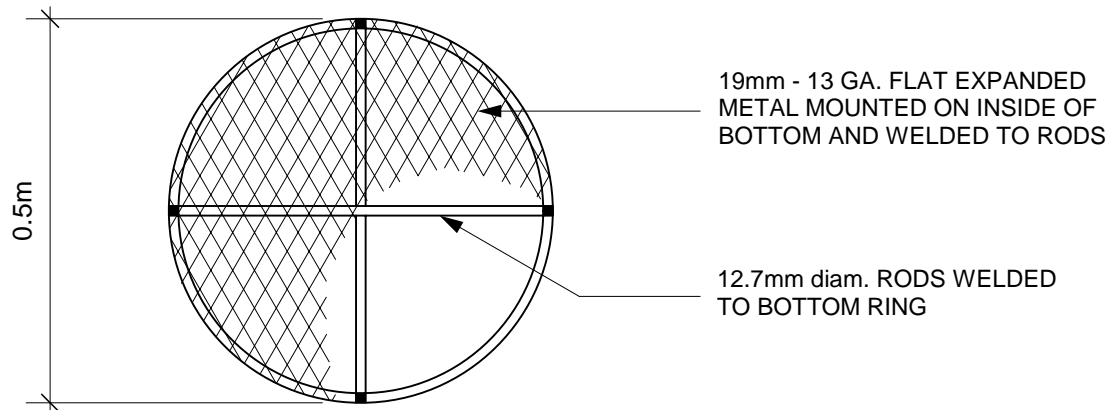


WASTE RECEPTACLE EXPANDED METAL BASKET

SCD 106



SIDE VIEW



BOTTOM VIEW

NOTE:
APPLY ONE COAT OF METAL
PRIMER AND ONE COAT OF
ALUMINUM PAINT.

NOTE:
ALL DIMENSIONS SHOWN
ARE IN MILLIMETERS.

Model # 52501051

Scale: 1:10

Drawn By: j.f.

Date: Mar./06

THE CITY OF WINNIPEG
Planning, Property and Development Department
Planning and Land Use Division
Unit 15 - 10 Fort Street, Winnipeg, MB, R3C 4X5

