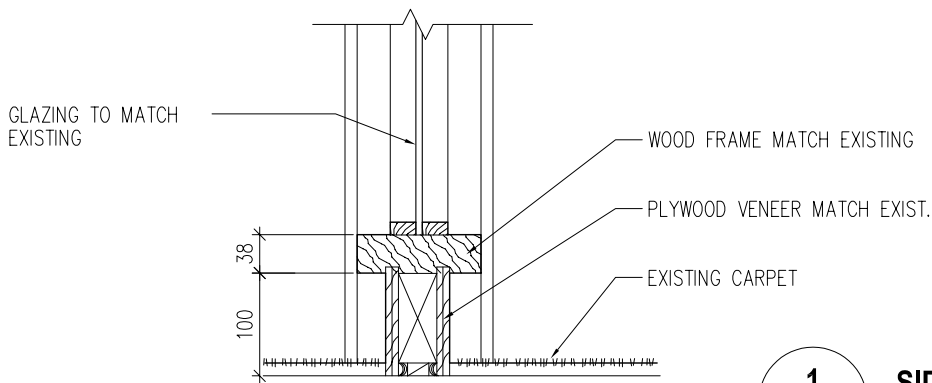
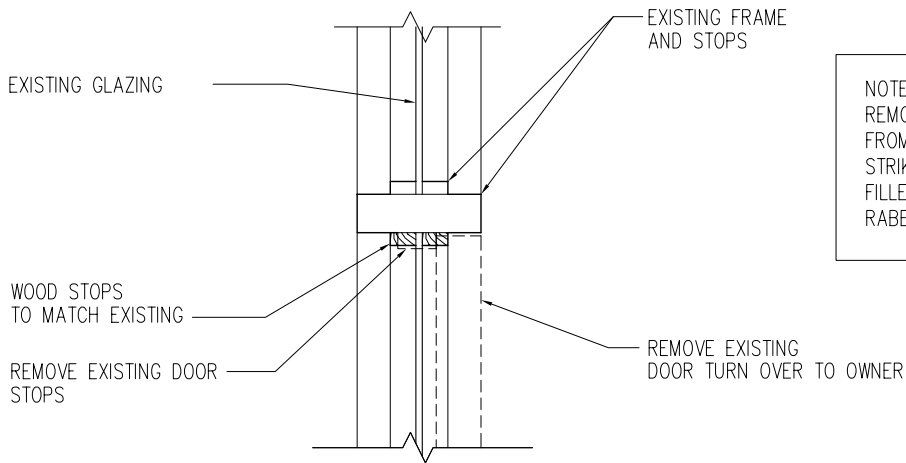


2
A.7

DOOR JAMB AND SIDELITE
SCALE 1 : 7.5



1
A.7

SIDELITE INFILL
SCALE 1 : 7.5



DRAWN BY D.G.	PROJECT TITLE CITY OF WINNIPEG INTERIOR RENOVATIONS WASTEWATER SERVICES AREA 1199 PACIFIC AVE. WPG, MB	DRAWING
DATE JAN. 2007		A.7
PROJECT NO. 06.988		