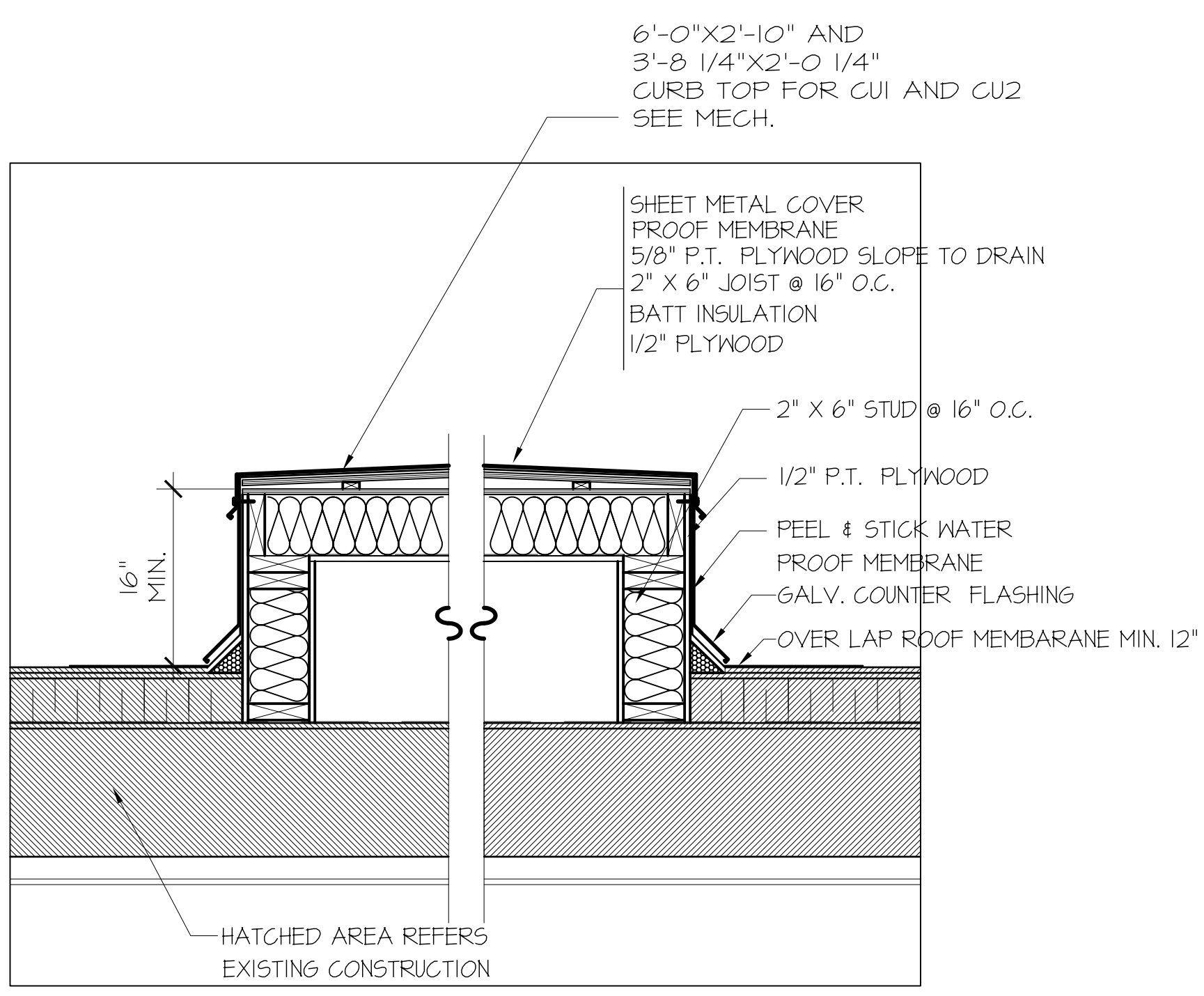
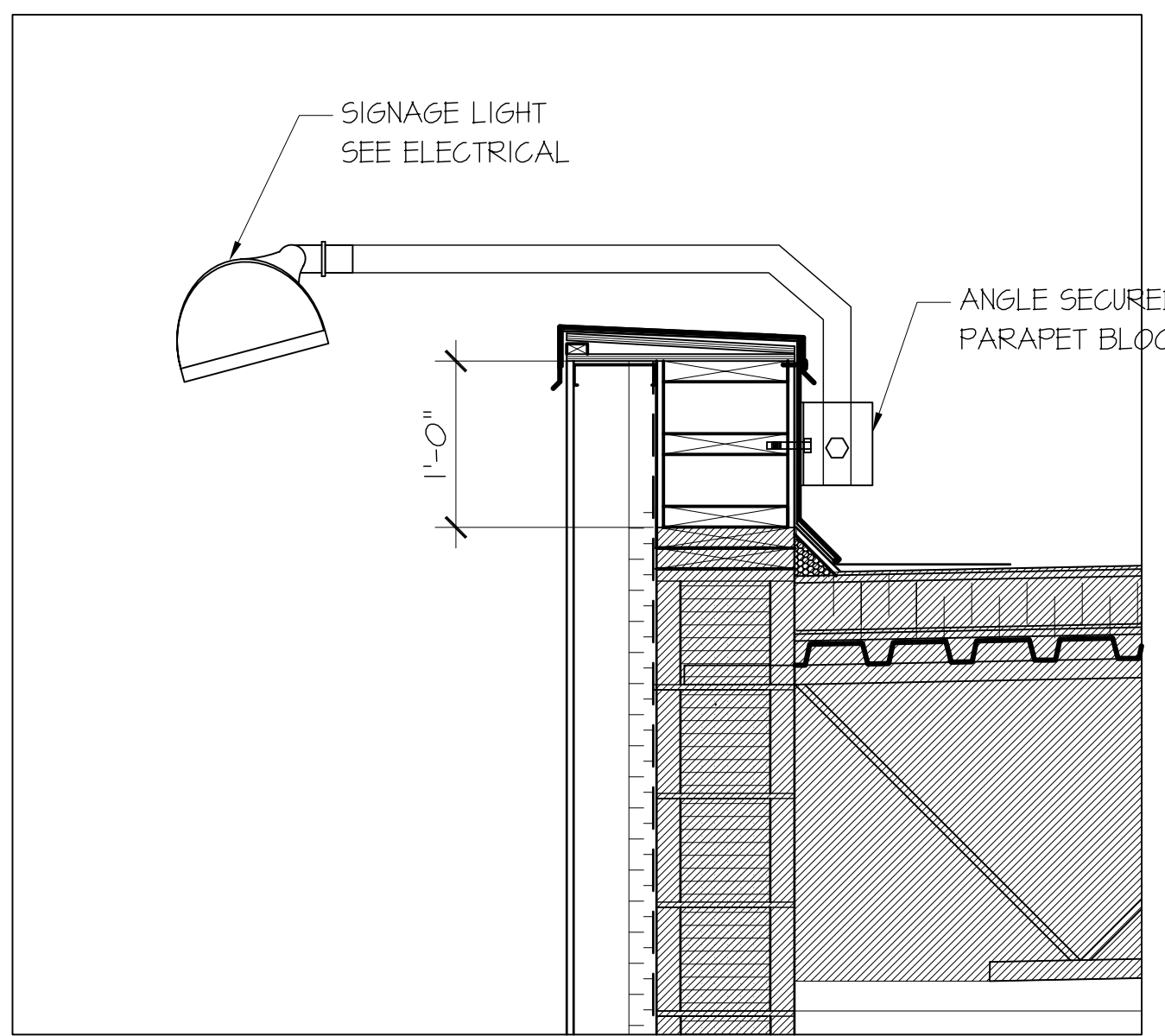


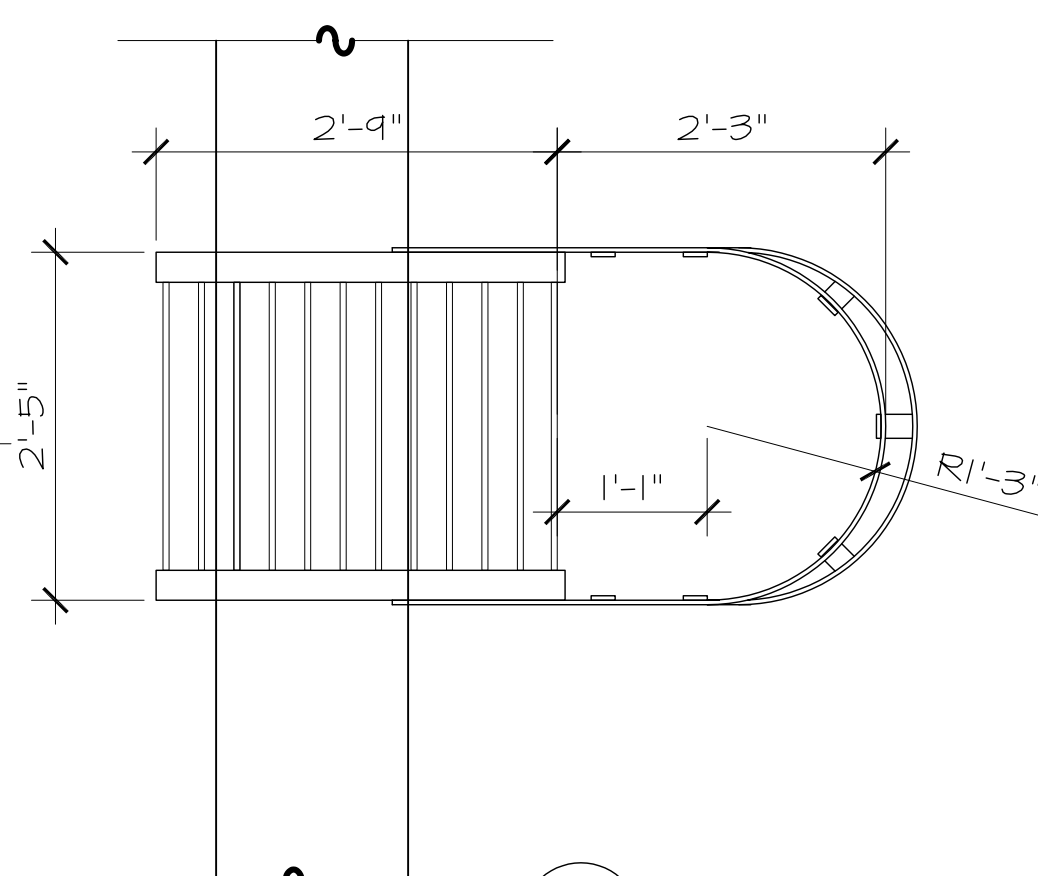
1 WALL SECTION
3.07.1 3/4" = 1'-0"



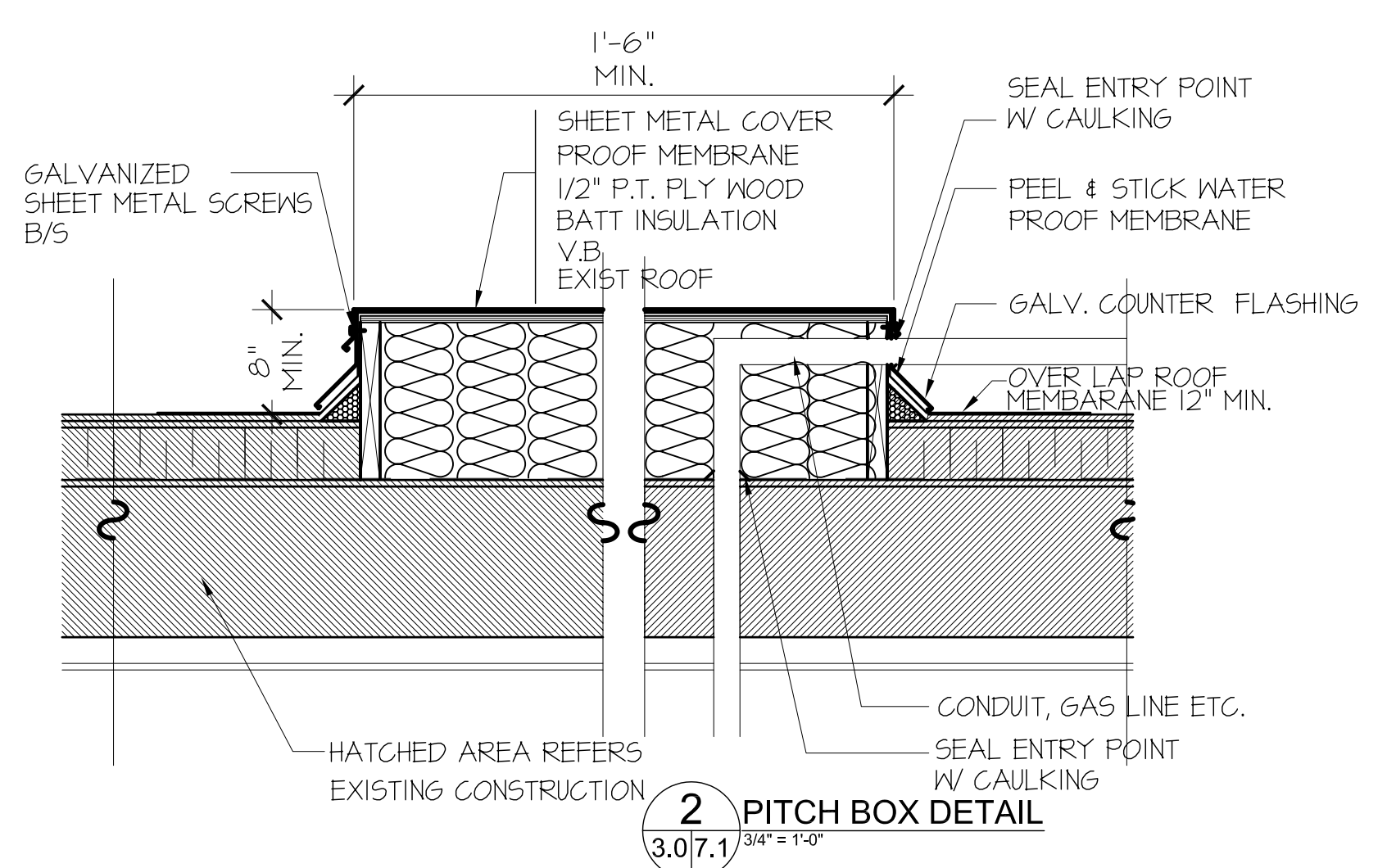
4 MECHANICAL CURB DETAIL
5.07.1 1" = 1'-0"



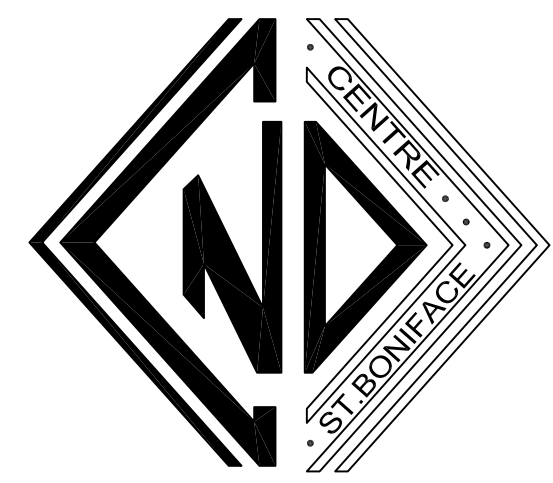
3 SIGNAGE LIGHT DETAIL
5.07.1 1" = 1'-0"



2 LADDER DETAIL
3.07.1 3/4" = 1'-0"



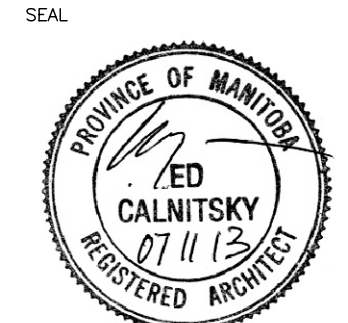
2 PITCH BOX DETAIL
3.07.1 3/4" = 1'-0"



NO.	REVISION	DATE	BY
3	ISSUED FOR TENDER	Nov 2007	
2	ISSUED FOR FINAL REVIEW	6 July 2007	
1	ISSUED FOR REVIEW	7 May 2007	

THIS DRAWING IS THE EXCLUSIVE PROPERTY OF THE ARCHITECT AND CAN BE REPRODUCED ONLY WITH THE PERMISSION OF THE ARCHITECT IN WHICH CASE THE REPRODUCTION MUST BEAR THE NAME OF THE ARCHITECT.
THIS DRAWING SHALL NOT BE SCALED. FOLLOW GIVEN DIMENSIONS ONLY.
THE CONTRACTOR SHALL SATISFY HIMSELF THAT ALL DIMENSIONS AND INFORMATION SHOWN ARE CORRECT.
PRIOR TO COMMENCEMENT OF WORK REPORT ANY DISCREPANCIES TO THE ARCHITECT.
VARIATIONS AND MODIFICATIONS TO WORK SHOWN WILL NOT BE ALLOWED WITHOUT WRITTEN PERMISSION OF THE ARCHITECT.

CONSULTANT



CALNITSKY ASSOCIATES ARCHITECTS

ARCHITECTURE | **INTERIOR DESIGN**
124 Nassau Street North | Winnipeg, Manitoba R3L 2H1
Tel: (204) 453-6441 | Fax: (204) 453-3392
E-mail: caa@escape.ca

PROJECT TITLE
NOTRE DAME COMMUNITY CENTRE RENOVATION
271 AVE. DE LA CATHEDRALE
WINNIPEG, MANITOBA

SHEET TITLE
WALL SECTIONS PHASE 1

DRAWN BY	SCALE	SHEET NUMBER
MU	AS NOTED	A-7.1
CHECKED BY	DATE	
EC	1 Nov. 2007	
PROJECT NUMBER	REVISION	
06-012		